

LOCINOX

Let's make it better together

PRODUCT CATALOG

Discover our new
products on page 6 - 8





Hello!

Happy to know that you hold our new catalogue in your hands. We are proud and excited at the same time to introduce you to our innovations.

We are constantly strengthening our position as the top brand in the gate and fence hardware industry. As a true expert in the field, we only aim for the best. Not only with the infamous locks and keeps, but in the fast growing segment of Automation & Electronics as well.

Our R&D team, which is in continuous expansion, has once again developed highly disruptive products which will shake the market. Always with our strict requirements in mind: superb product quality, fast & easy installation, unprecedented reliability, beautiful aesthetics and with added value for you and your clients.

This year, a few innovations stand out of the crowd: the improved SlimStone-2 keypad with two internal relays, the Fifty- and Sixtylocks insert locks and the handy Lion-VTC drilling jig. All three demonstrate the continuous drive to do better and to keep innovating.

Customer service remains to reinforce our healthy partnership. Our 24h shipment, with a 98% delivery rate on time, is maybe one of the best examples.

Sit back, relax and get inspired.
Happy exploring,

Mik Emmerechts
CEO Locinox



LOCINOX
COMPANY MOVIE

Index

| | |
|---------------------|----|
| Gate closers | |
| • Tiger | 14 |
| • Mammoth | 15 |
| • Samson-2 | 17 |
| • Lion | 18 |
| • Rhino | 19 |
| • Verticlose-2 | 21 |
| • Verticlose-2 Wall | 22 |

| | |
|--------------------------|----|
| Automation & Electronics | |
| • SlimStone-2 | 26 |
| • Electric keeps | 28 |
| • Electromagnetic locks | 30 |
| • Electradrop | 42 |
| • Electrical accessories | 43 |
| • Power supplies | 44 |

| | |
|--------------------------|----|
| Turnstiles | |
| • Turnitec | 52 |
| • Access control modules | 53 |

| | |
|--------------------------|----|
| Locks | |
| • For swing gates | 59 |
| • For child safety gates | 73 |
| • For sliding gates | 76 |
| • Insert locks | 80 |

| | |
|--------------------------|-----|
| Keeps | |
| • For swing gates | 93 |
| • For sliding gates | 96 |
| • For child safety gates | 98 |
| • For insert locks | 101 |

| | |
|---------------------------------------|-----|
| Hinges | |
| • For industrial and ornamental gates | 109 |
| • For small gates | 130 |

| | |
|------------------------------|-----|
| Drop bolts & Ground catchers | |
| • Drop bolts | 138 |
| • Ground catchers | 142 |

| | |
|------------------------------------|-----|
| Gate catchers | |
| • Hot-dip galvanized gate catchers | 146 |
| • Aluminium gate catchers | 147 |

| | |
|---------------------------|-----|
| Tools | |
| • Tools for locks & keeps | 150 |
| • Tools for gate closers | 152 |

| | |
|-------------------------|-----|
| Accessories | |
| • Handles | 160 |
| • Adaptor plates | 168 |
| • Cylinders | 173 |
| • Accessories for gates | 177 |
| • Security strips | 181 |

| | |
|-----------------|-----|
| Marketing tools | 183 |
|-----------------|-----|

Locinox is an international trendsetter in the fencing and gate world.

Our products are designed specifically for your sector where innovation, quality and ease of installation make the difference.

A growing team of professionals, with a single goal in mind: to increase your efficiency!

Let's make it better together!

Our products

INNOVATION

A motivated team of engineers and prototypers work hard on a daily basis to further expand the Locinox range with new products.

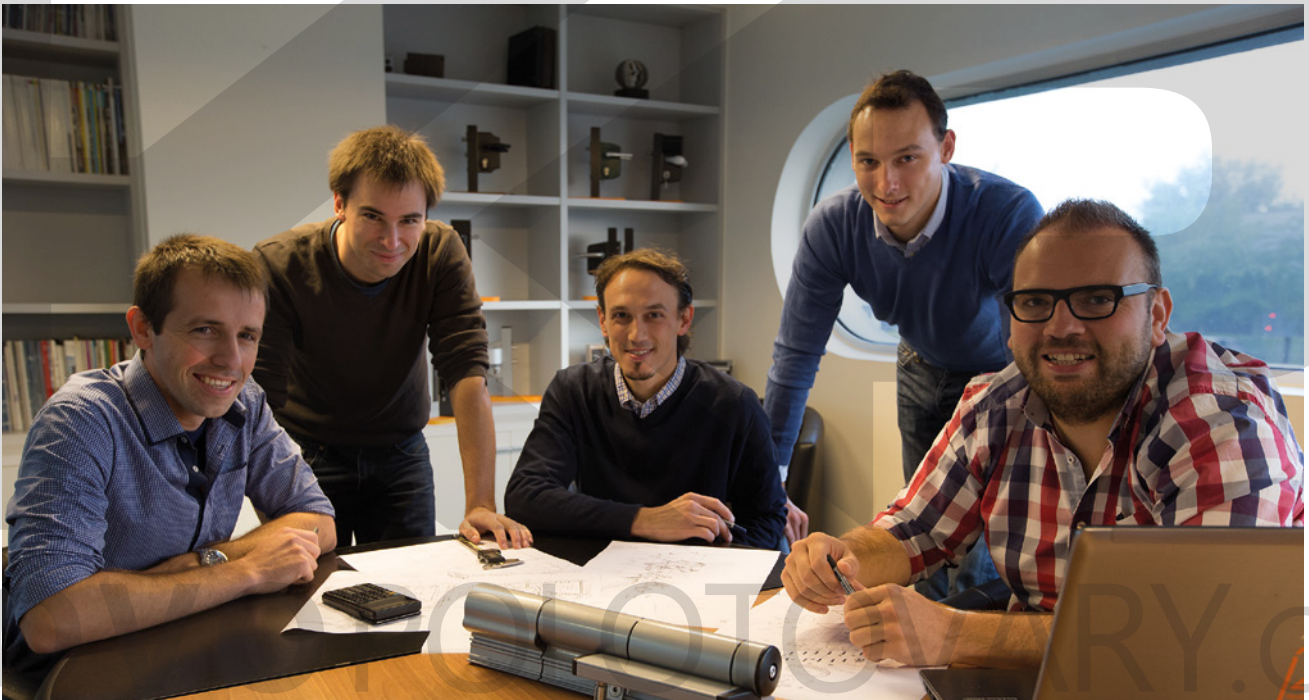
You can find many, pioneering innovations in this catalogue.



INDUSTRIAL QUALITY

Locinox products are of industrial quality. They are tested extensively by our Quality department in the most extreme circumstances.

We test every product a minimum of 500,000 movements before bringing it to the market. Locinox products extend the life of your gates and fences!



WEATHERPROOF

High quality materials and surface treatments ready for years of outdoor use are a basic requirement. This is why Locinox only uses stainless steel and non-ferro metals as raw materials for its products.

We choose chrome plating and, whenever possible, hot-dip galvanisation as surface treatment to maintain high standards. This way, our products have a longer life cycle than cheaper alternatives.



EASE OF INSTALLATION

"Time is money", you will most probably agree. This is why our products are designed as such that installation happens very quickly and easy.

Thanks to the special tools, the patented Quick-Fix and the Plug & Play design - installation happens in a blink of an eye.

The pre-fitted Quick-Fix solution guarantees a lightning fast installation. This way, the products are mounted very firmly.



Our promises



MODULARITY

The products in our range are designed for maximum interchangeability. A multitude of combinations is possible to assure maximum flexibility according to your clients' needs.

Even after installation, our products can be easily adjusted and/or replaced.

CUSTOM ASSEMBLY

The modularity of our products allows you to choose from many different configurations. Locinox will assemble every possible configuration upon request.



Moreover, our well-organised logistics guarantee a shipment of our catalogue products within 24h after your order. This will allow you to react quickly to your clients' needs!



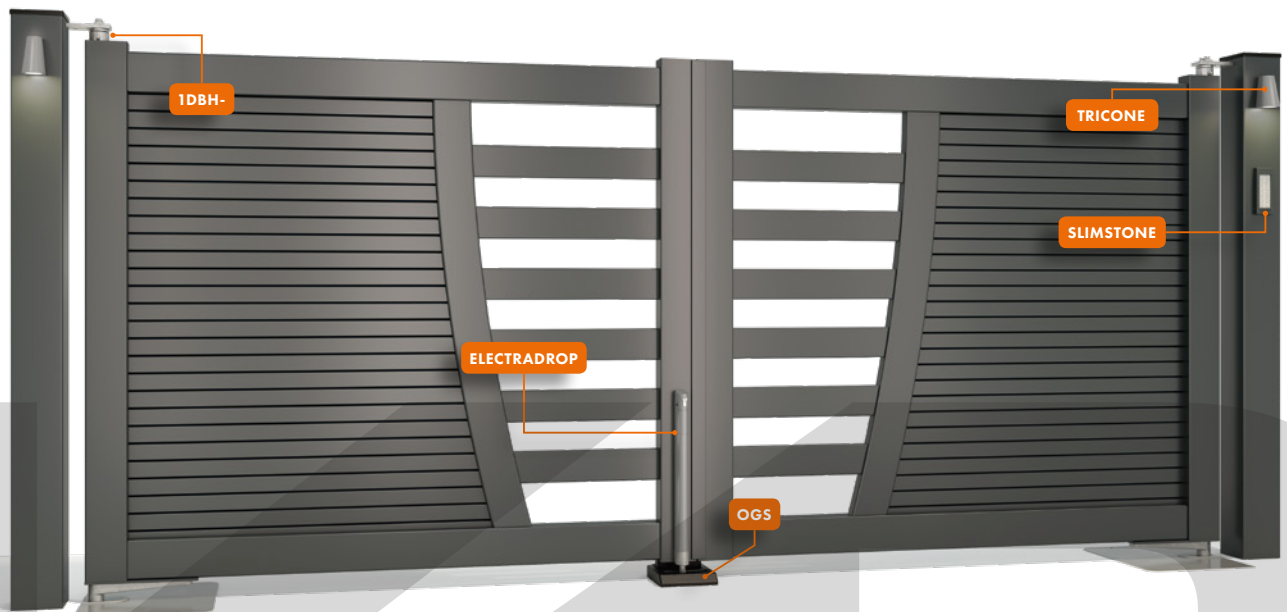
AT YOUR SERVICE!

Our sales team is easy to reach and will give you a prompt reply by phone or e-mail in no less than 7 supported languages.

They will supply you the correct product information and are happy to help you in choosing the right solution for the given situation.

Your orders are confirmed on the same day!

Our concepts



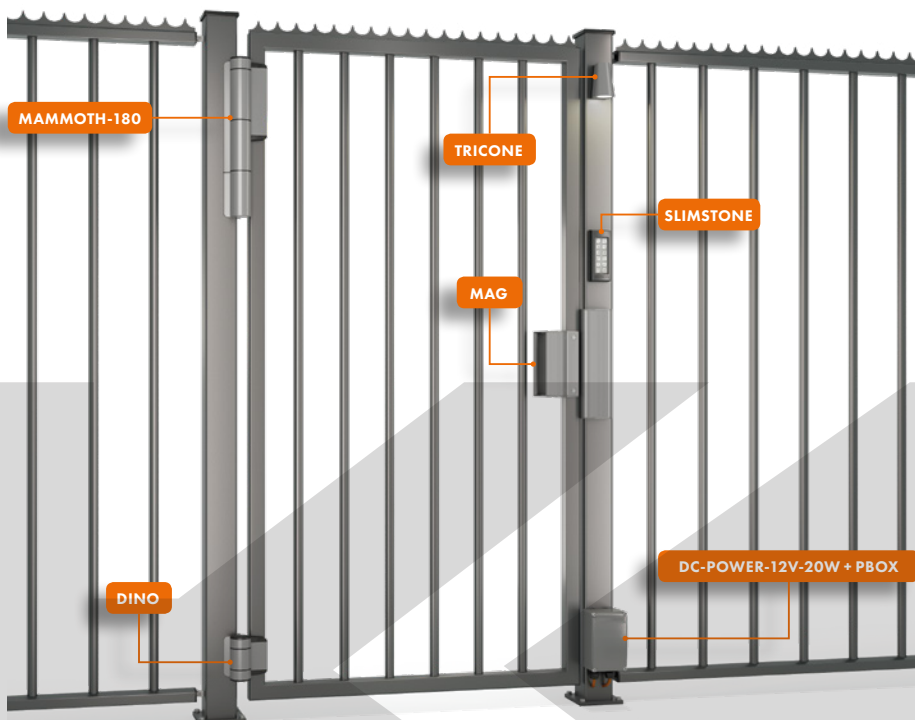
AUTOMATED SWING GATE

SLIMSTONE Sturdy, weather resistant keypad (IP68) (p.26) | **ELECTRADROP** Motorised electrical dropbolt (p.42)
OGS Off-centered ground stop and catch (p.142) | **1DBH-** 90° 2-way adjustable bearing hinge (p.127)
TRICONE Design led lighting for gates (IP54) (p.43)



SELF-CLOSING PEDESTRIAN GATE WITH ELECTRIC LOCK

SAMSON-2 (p.17)
 Versatile hydraulic gate closer
GBMU4D (p.112)
 4-way adjustable, 180° hinge
SLIMSTONE (p.26)
 Sturdy, weather resistant keypad (IP68)
LIKQ U2 (p.69)
 Electric lock - Fail Close
SHKL QF (p.95)
 Security keep and gate stop
DVK (p.44)
 Guiding cable
PB-1 + DC-POWER-12V-20W (p.17 + p.46)
 Powerbox - Transformer housing (IP66)
 + Safety power supply 12 V and 13 V DC
TRICONE (p.43)
 Design led lighting for gates (IP54)



SELF-CLOSING PEDESTRIAN GATE WITH MAGNETIC LOCK

- MAMMOTH-180 (p.15)
Hydraulic 180° gate closer
and hinge in one
- SLIMSTONE (p.26)
Sturdy, weather resistant keypad (IP68)
- MAG (p.38)
Magnetic lock (600/ 1200 lbs)
with integrated handles
- DINO (p.126)
180° double bearing hinge with
2 x 13/ 16" adjustability
- PB-1 + DC-POWER-12V-20W (p.17 + p.46)
Powerbox - Transformer housing (IP66)
+ Safety power supply 12 V and 13 V DC
- TRICONE (p.43)
Design led lighting for gates (IP54)



SELF-CLOSING RESIDENTIAL GATE WITH ELECTRIC KEEP

- LION (p.18)
Compact and polyvalent gate closer,
fits every gate situation
- SLIMSTONE-2 (p.26)
Sturdy, weather resistant keypad
(IP68)
- LAKQ U2 (p.59)
Industrial gate lock
- MODULEC-SA (p.29)
Surface mounted electric strike
(Fail Close)
- G90Z (p.119)
90° adjustable hinge
- TRICONE (p.43)
Design led lighting for gates (IP54)
- PB-1 + DC-POWER-12V-20W (p.17 + p.46)
Powerbox - Transformer housing (IP66)
+ Safety power supply 12V and 13V DC

Our latest Innovations



SLIMSTONE-2

Sturdy, frost-free and weather resistant keypad with 2 integrated relays

**Innovation,
the engine for
your growth!**



“Smart solutions, better fences”

Protecting what matters. Everyone wants to be safe, right? At home, on their job, at school, out when sporting, etc... Locinox provides that degree of security and comfort. As a Belgium based trendsetter, manufacturer and reputed market leader, we take care of your peace of mind.

Thanks to continuous innovation, thorough quality checks and efficient installation methods, Locinox is the right partner for your gate and fencing projects. Every product is designed and

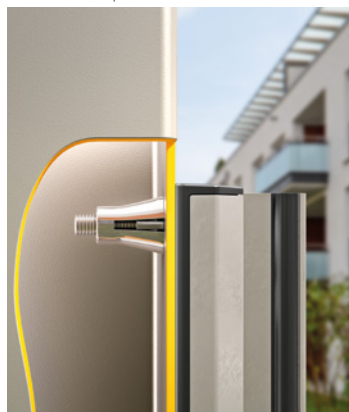
engineered with eye for detail, extreme weatherproofness and added value. All to guarantee an improved durability and lots of modularity and flexibility. Our products are determined to be your partner for the long run and ensure your project to stand out, for a very long time.

With every new innovation we're launching; quality, durability and user friendliness are key. We rely on the best components for the best possible solutions. Our test results don't lie - Locinox products stand the test of time!

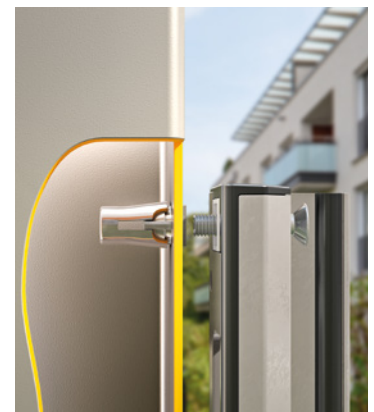
NEW QUICK-FIX

The highly improved stainless steel fixation bolt. This unique and patented system is fitted on most Locinox products. The innovative design ensures you can reuse it over and over. Thanks to the 1.000 kg pulling resistance, everything is fixed very tight!

Fixed in the post



Unscrewed for reuse





VERTICLOSE-2

Highly versatile gate closer with excellent features. The powerful Verticlose-2 is the perfect gate closer for both 90° and 180° hinge situations.



LION-VTC DRILL

Toolbox with the required tools for a flawless installation of the Lion and Verticlose-2 gate closers. No more measuring: just fix, drill, install and ready. Highly recommended.



VERTICLOSE-2 WALL

Specially designed gate closer for wall mounting where the gate closer is positioned 90° in relation to the gate. The unique design of the arm allows it to turn around the wall or post, ensuring a large opening angle.





FIFTYLOCK

Prime insert lock with 100% stainless steel mechanism and 30 mm backset for profiles of 50 mm depth and more.



Fast assembly: Click-it!



SIXTYLOCK

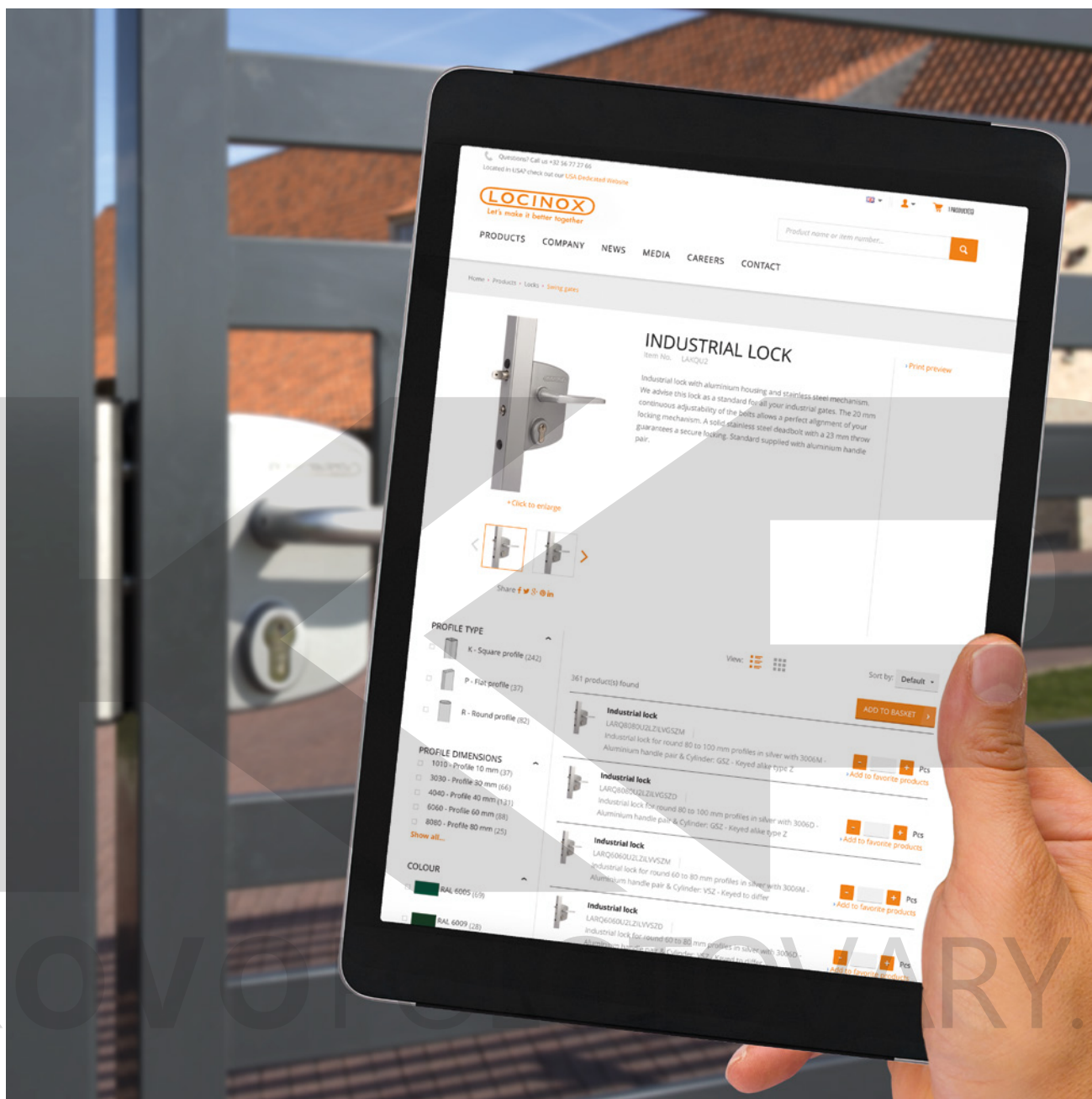
Prime insert lock with 100% stainless steel mechanism and 40 mm backset for profiles of 60 mm depth and more.



BOLTON4D

Bolt-on 4D hinge with Quick-Fix or through and through fixation. The BOLTON4D hinge is as of now also available in M12 and M16 version.

Loc-eshop



In a world where business never stops and where providing a fast service is crucial, Locinox is determined to stay ahead.

Order any of our products 24/7 thanks to the Loc-eshop.

Visit the Loc-eshop on www.locinox.com

LOCESHOP

order when it suits you

**Guaranteed
shipping
within 24h**

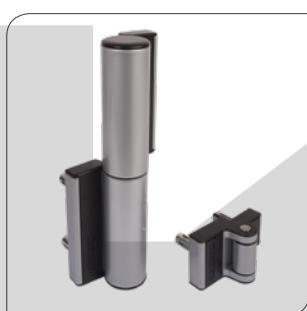




KOVOPOLOTOVARY.CZ

Gate closers

Hydraulic gate closers will transform any gate into a self-closing solution. Comfort, safety and peace of mind are guaranteed thanks to pure hydraulic power. High quality components ensure Locinox closers to be 100% weatherproof, maintenance-free and extremely durable. A constant and consistent functioning is guaranteed during an ice cold winter or a sweltering summer. The unique concept ensures an easy and efficient fixation thanks to the patented Quick-Fix system. Moreover, closing speed and final snap can be adjusted very precisely and 100% to your customers' wishes.



14 Tiger



17 Samson-2



19 Rhino

21 Verticlose-2

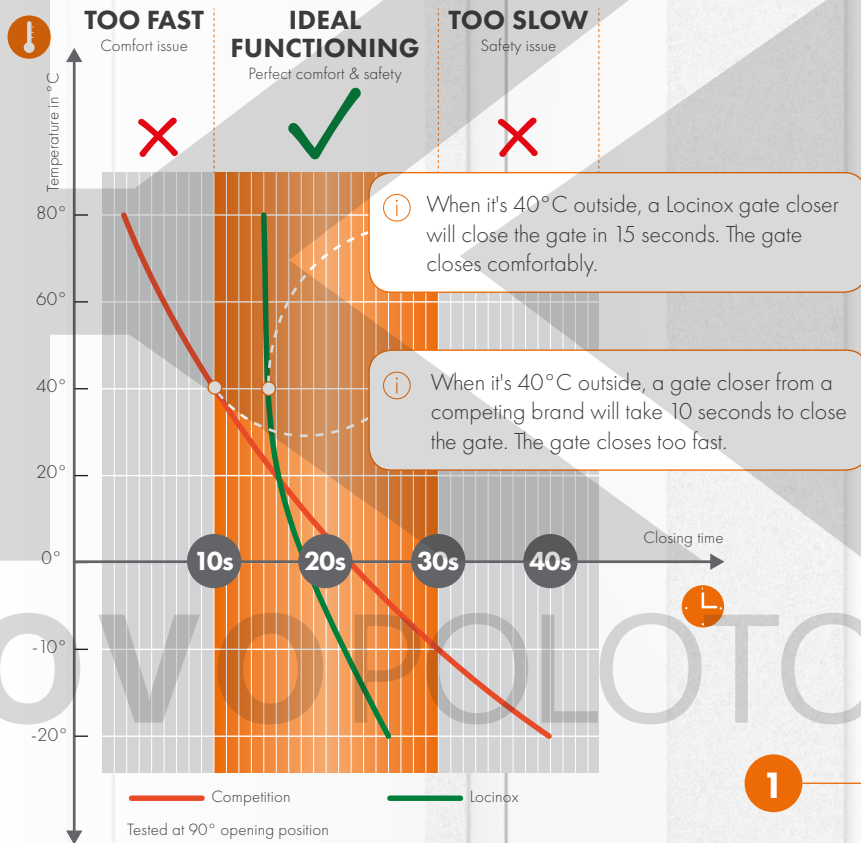
22 Verticlose-2 Wall

CUTTING EDGE SELF-CLOSING TECHNOLOGY

1 ALWAYS A CONSTANT CLOSING SPEED FROM FREEZING WINTER TO SIZZLING SUMMER

If your gate closes too slow, children or pets could sneak through. If your gate closes too fast, it might become a problem for wheelchair users. A loud slamming gate is not only annoying for you or your neighbours, it's also harmful for your gates.

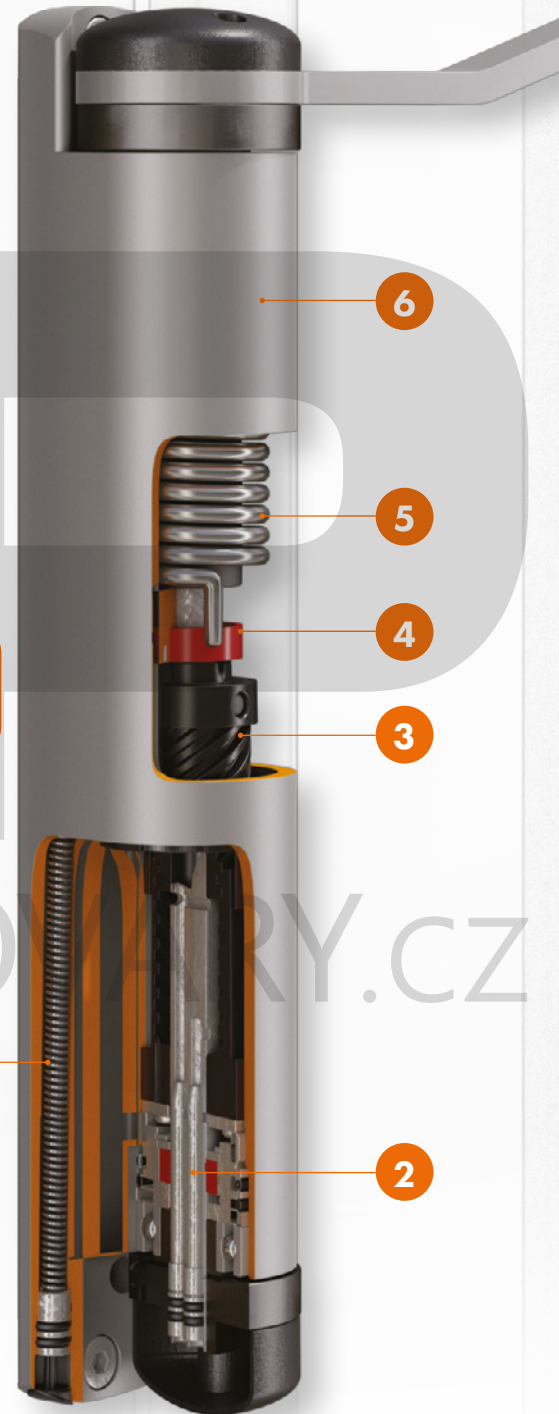
The Active Thermal System, our own cutting-edge development, guarantees a constant closing speed, regardless of the outside temperature.



2 ADJUST SPEED AND FINAL SNAP PRECISELY

Some customers prefer their gate to close slowly, while others want it to go a little faster. No problem! All of our hydraulic gate closers can easily be adjusted in a matter of seconds to the wishes of your customers.

The final snap allows the gate to speed up a little at the end: this way, you are reassured the gate is properly closed. The final snap can easily be adjusted to any need.





3 FUNCTIONS COMFORTABLY

The in-house developed High-Helix screws guarantee a consistent functionality and ensure a comfortable opening speed for the elderly or disabled.

4 DUST- & WATERPROOF

Our gate closers are equipped with rotary seals. These seals protect the gate closers from dirt and dust particles intruding the mechanism, assuring your customers of worry-free functioning for many years to come.

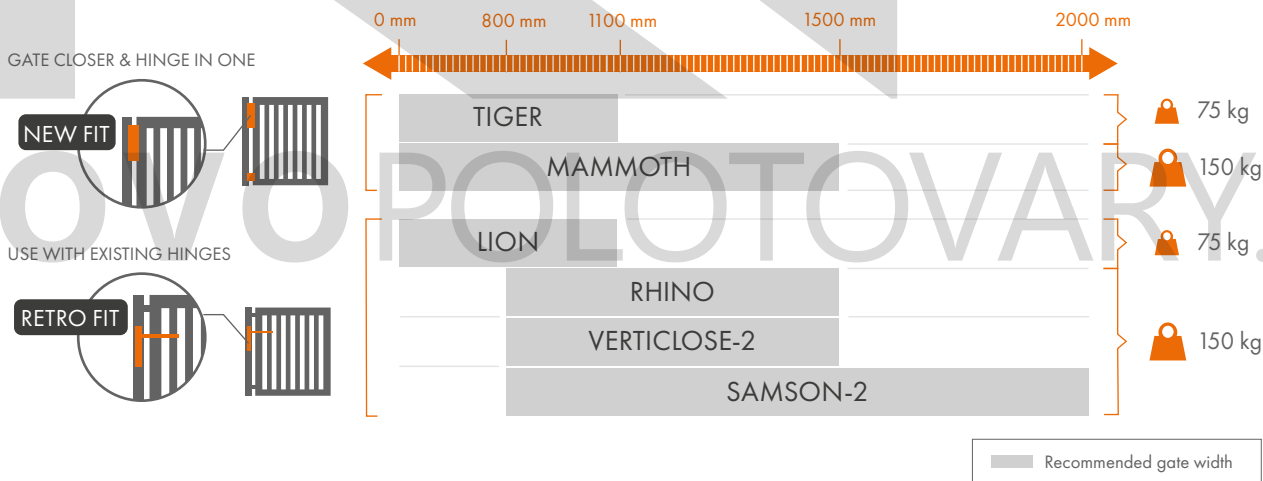
5 CLOSSES EVERY TIME

The powerful torsion spring guarantees the necessary closing force. Therefore, your gate will always close: unaffected by strong winds, the width of your gate wing or the outside temperature. You can rest assured.

6 100% PROTECTED

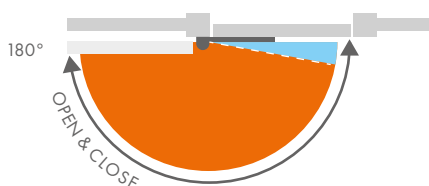
The aluminium powder coated housing guarantees full protection against any weather conditions. The housing is windproof, frost-free and dust- & waterproof, allowing your gate closer to function perfectly.

A GATE CLOSER FOR EVERY GATE

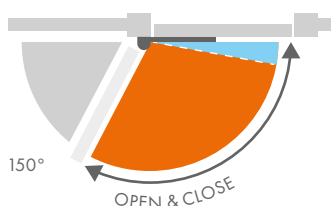


OPENING ANGLE

ALL LOCINOX GATE CLOSERS



SAMSON GATE CLOSER



Max 150° depending on position of hinge and gate closer

Find your gate closer thanks to our [handy gate closer configurator](http://www.locinox.com) on www.locinox.com

Compact hinge and gate closer in one

TIGER (Patented)

180° self-closing hydraulic hinge with precise adjustments on speed and final snap. The aluminium powder coated housing and unique high-tech components allow the Tiger to function perfectly in any weather situation. We highly recommend the Tigerdrill for an even more efficient installation. The Puma hinge is included.



Color options

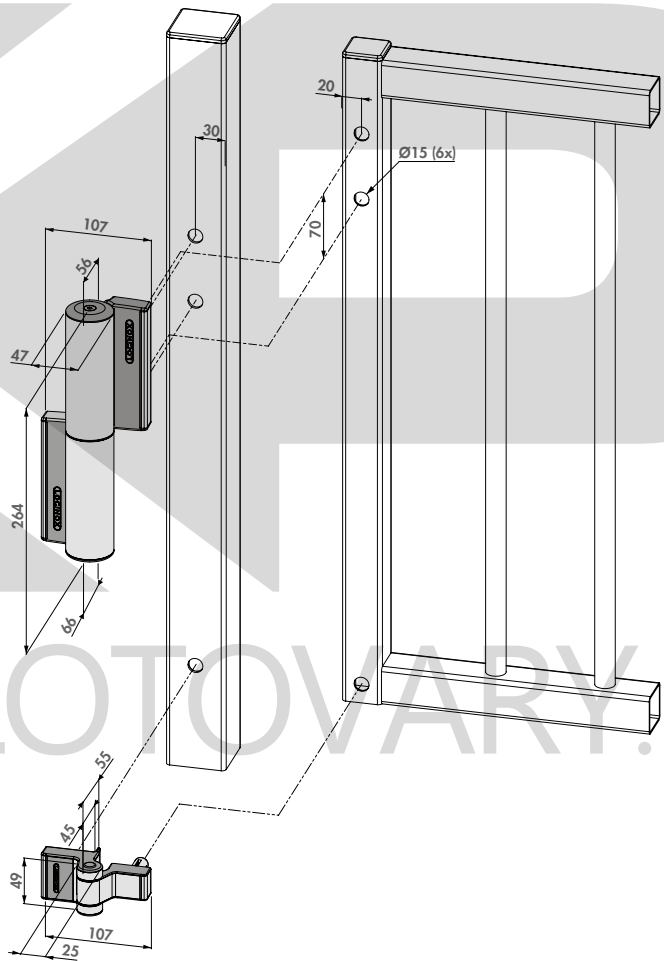
ZILV 9005

Specifications

- ✓ Automatic 180° closure with adjustable closing speed and final snap
- ✓ Aesthetic design
- ✓ Powder coated aluminium housing
- ✓ Closing speed unaffected by humidity and temperature changes
- ✓ Vandal-proof
- ✓ For left and right turning gates
- ✓ Fast and easy fixing with Quick-Fix
- ✓ 2-dimensionally adjustable (2 x 20 mm)
- ✓ Easy to open: Max. 15 Nm of force

Order code

TIGER Hydraulic gate closer and Puma 180° hinge for gates up to 75 kg



Recommended installation tools



TIGERDRILL
P. 152



DRILLVISE-II
P. 155



DRILLVISE-IV
P. 155



CLB-TIGER
P. 172

Stylish hydraulic gate closer for heavy gates

MAMMOTH-180 (Patented)

Elegant and powerful self-closing gate closer for 180° gate situations. The Mammoth is a real muscleman, perfectly fit for heavy gates up to 150 kg. It is equipped with a double bearing for an extremely comfortable functionality. The Active Thermal System guarantees a constant closing speed, unaffected by weather conditions. The Dino hinge is included.



Color options

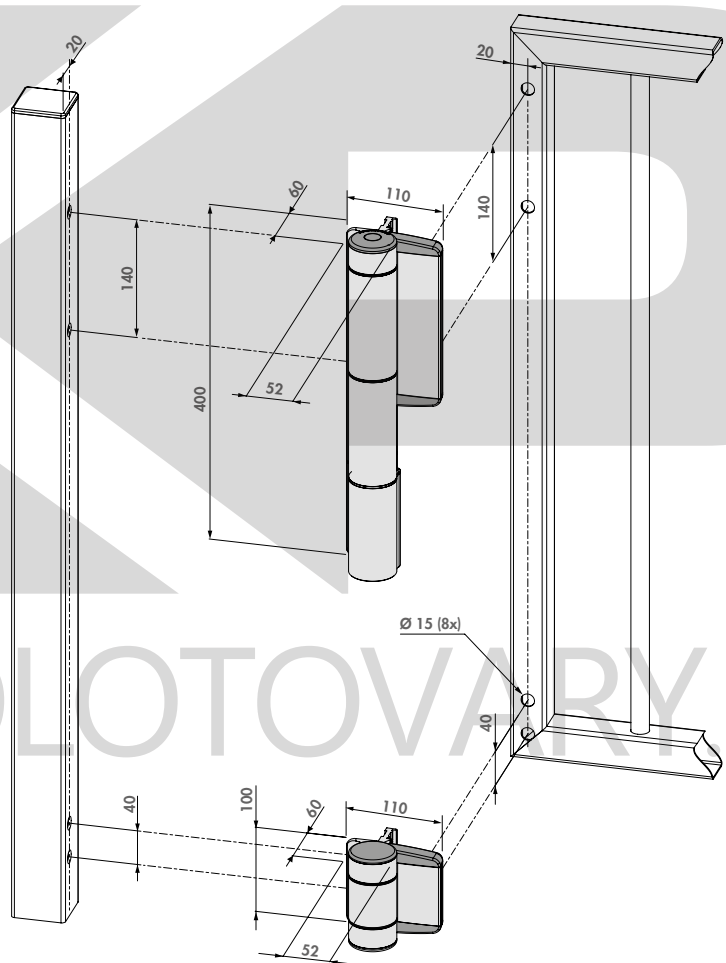
ZILV 9005

Specifications

- ✔ Self-closing hinge with patented hydraulic damping
- ✔ Aesthetic design
- ✔ Powder coated aluminium housing
- ✔ Closing speed unaffected by temperature changes
- ✔ Easy to open: Max. 15 Nm of force
- ✔ Vandal-proof
- ✔ For left and right opening gates
- ✔ Easy mounting with Quick-Fix

Order code

MAMMOTH-180 Stylish hydraulic gate closer for heavy gates



Recommended installation tools



DRILLVISE-II
P. 155



DRILLVISE-IV
P. 155



CLB-MAMMOTH
P. 172



**A SILENT
OPENING &
CLOSING**



**SAFE
FOR
WHEELCHAIR
USERS**

EXCEPTIONAL
PRECISE ADJUSTMENT OF
SPEED & FINAL SNAP
FOR YOUR
COMFORT



**VANDAL
PROOF**

10

FEATURES SETTING LOCINOX GATE CLOSERS APART!



**CHILD
& PET
FRIENDLY**

**EFFICIENT
INSTALLATION
FAST & EASY**



DURABLE
TESTED FOR
500 000
MOVEMENTS



**3 YEAR
WARRANTY**



**100%
HYDRAULIC
GREEN &
MAINTENANCE
FREE**



EXTREME
WEATHERPROOF
CONSTANT CLOSING SPEED

-30° ▶ +70°C



Hydraulic gate closer for large gates

SAMSON-2 (Patented)



Simple installation and flexible functionality make it the perfect fit for larger gates. Samson-2 is a polyvalent hydraulic gate closer developed with high quality components for an exceptional long life span. Temperature changes do not affect the smooth and constant functionality. The set of mounting brackets that are delivered with the closer make Samson-2 fit for any gate.



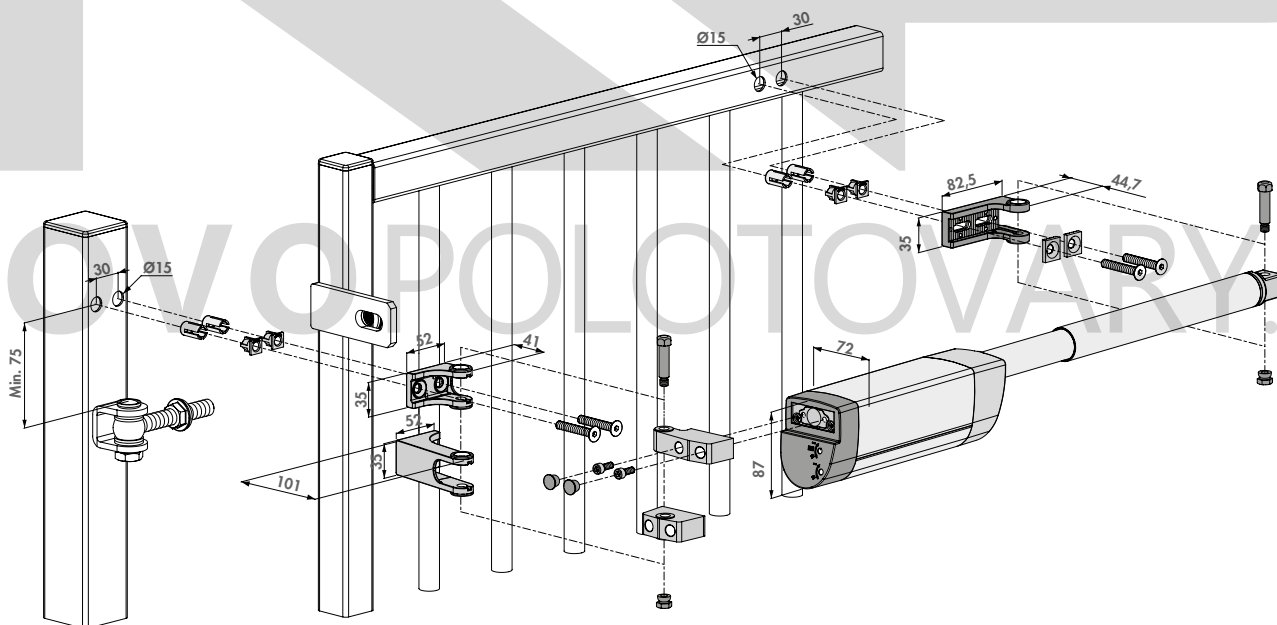
Color options

ZILV



Specifications

- ✓ Opening angle up to 150° depending on the situation
- ✓ Specially developed for outdoor use: industrial quality
- ✓ Powder coated aluminium housing
- ✓ Closing speed unaffected by temperature changes
- ✓ Fast and easy fixing with Quick-Fix
- ✓ For left and right turning gates



Recommended installation tools



Order code

SAMSON-2 Hydraulic gate closer for gates up to 150 kg

DRILLVISE-II
P. 155

DRILLVISE-IV
P. 155

SB-
P. 171

NEW Compact and polyvalent gate closer, fits every gate situation

LION (Patented)



The attractive and compact Lion gate closer is unique in its kind. This hydraulic all-rounder is fit for every possible gate situation. Moreover, both 90° and 180° railsets are included in the package, allowing for more flexibility on site. The powder coated aluminium housing combines a handsome look with a spotless functioning for many years. Choose the Lion-VTC Drill for an even faster installation.

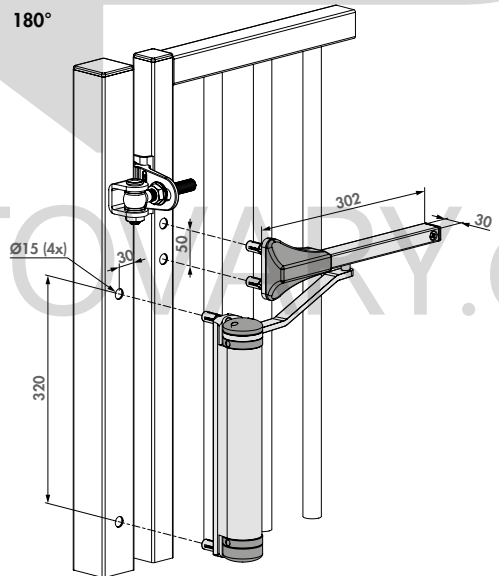
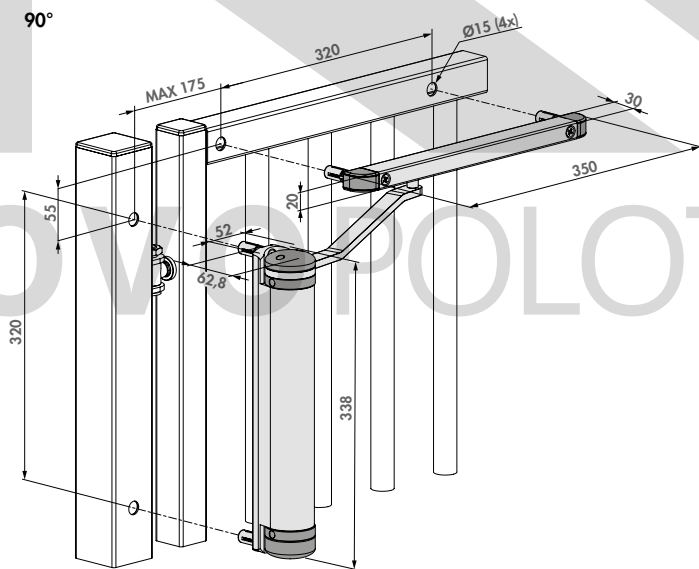


Color options

ZILV 9005

Specifications

- ✓ Automatic 180° - closing with adjustable closing speed and final snap
- ✓ Railset included for 90° and 180° situations
- ✓ Compact & aesthetic design
- ✓ Powder coated aluminium housing
- ✓ Closing speed unaffected by temperature changes
- ✓ For left & right turning gates
- ✓ Integrated pre-tension for extremely smooth installation
- ✓ Easy & fast mounting: Quick-Fix



Recommended installation tools



Order code

LION Compact hydraulic gate closer for any situation

LION-VTC-DRILL
P. 154

DRILLWISE-II
P. 155

DRILLWISE-IV
P. 155

NEW Aesthetical 180° gate closer with direct connection to the hinge RHINO (Patented)



Transform your 180° hinge into a self-closing solution thanks to our Rhino hydraulic gate closer. The direct connection to the Locinox hinge guarantees the discreet look and efficient transmission of the energy required to close the gate perfectly. The aluminium powder coated housing ensures a corrosion-free existence and smooth operation in any weather. The Rhinodrill jig guarantees an extremely efficient installation.



Color options

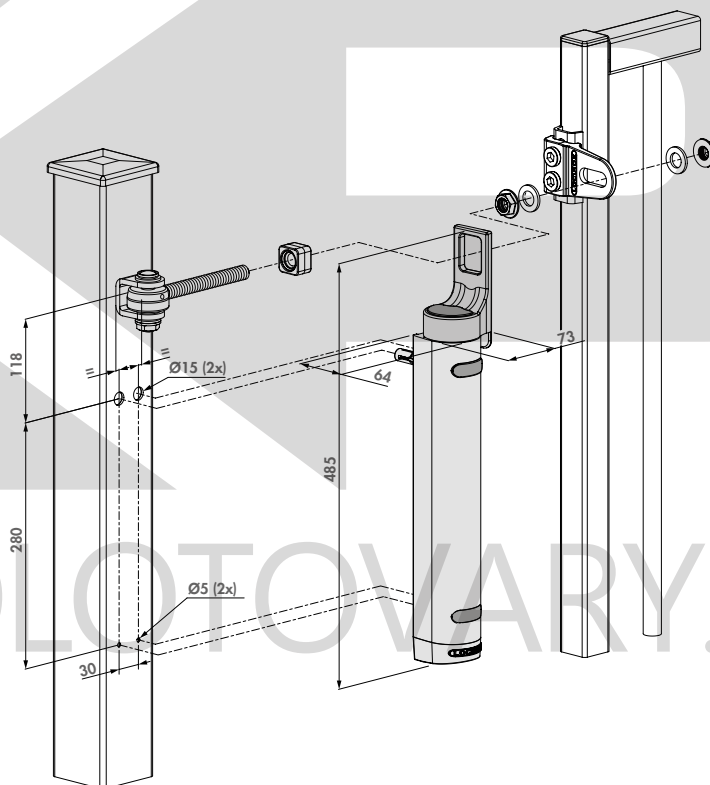
ZILV 9005

Specifications

- ✓ 180° hydraulic gate closer with adjustable speed and final snap
- ✓ Closing speed unaffected by temperature changes
- ✓ Compact & aesthetic design
- ✓ Powder coated aluminium housing
- ✓ Direct assembly on 180° hinges M16 & M20 (GBMU, GBMU4D & BOLTON4D)
- ✓ Moveable eyebolt is recommended (1034-ROLL-M16)
- ✓ Integrated pre-tension for extremely smooth installation
- ✓ For left & right turning gates

Order code

RHINO Hydraulic gate closer for gates up to 150 kg



Recommended installation tools



RHINODRILL
P. 153



DRILLVISE-II
P. 155



DRILLVISE-IV
P. 155



NEW Powerful all-round hydraulic gate closer for 90° and 180° hinges

VERTICLOSE-2- (Patented)



The Verticlose-2 gate closer is the top line in the Verticlose product range. Highly versatile and with excellent features, the powerful Verticlose-2 is the perfect gate closer for both 90° and 180° hinge situations. The integrated pretension, micro adjustment of speed and final snap and the Quick-Fix fixation guarantee a very quick and efficient installation. The aesthetic aluminium powder coated body in combination with highly durable internal components guarantee a very long life cycle.

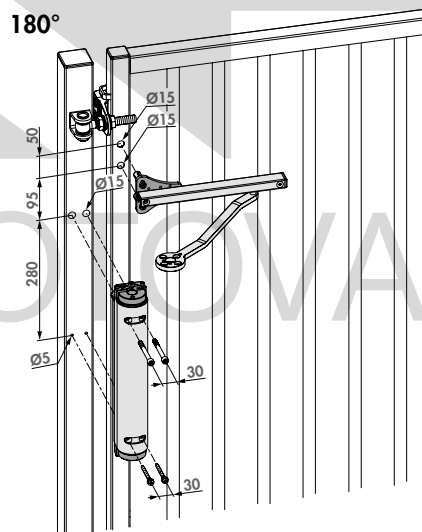
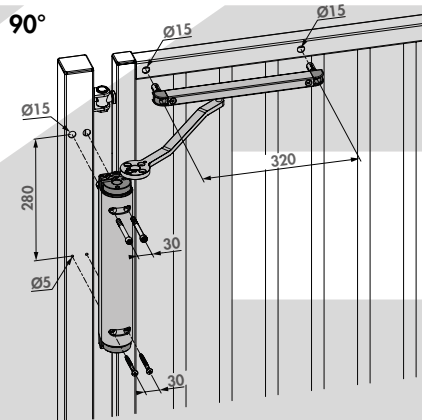


Color options

ZILV 9005

Specifications

- ✓ Micro adjustment of speed and final snap
- ✓ Railset included for 90° and 180° situations
- ✓ Aesthetic & compact design
- ✓ Powder coated aluminium housing, perfectly suited for outdoor use
- ✓ Integrated pretension for extra smooth installation
- ✓ Closing force over the full 180° opening angle
- ✓ Firmly fixed thanks to patented Quick-Fix system



Order code

VERTICLOSE-2- Powerful and all-round hydraulic gate closer for 90° and 180° hinges



Recommended installation tools

LION-VTC-DRILL
P. 154DRILLVISE-II
P. 155DRILLVISE-IV
P. 155

NEW Powerful and all-round hydraulic gate closer for wall mounting

VERTICLOSE-2-WALL- (Patented)

The Verticlose-2 Wall gate closer has been specifically designed for wall mounting where the gate closer itself is positioned 90° in relation to the gate. The specially designed arm turns around the wall or post, ensuring a large opening angle. The aesthetic powder coated housing and high-end components make sure that the Verticlose-2 Wall is perfectly weatherproof.



Color options

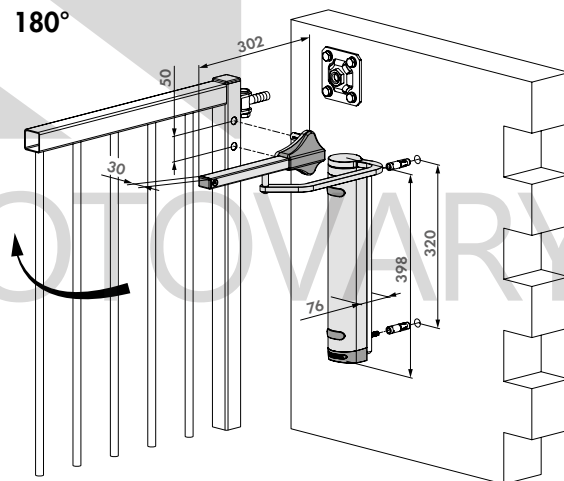
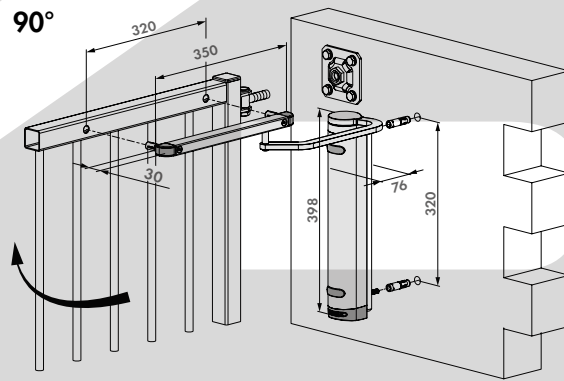
ZILV

Specifications

- ✔ Self-closing gate closer with adjustable speed and final snap
- ✔ Specially designed arm for wall mounting while guaranteeing a big opening angle
- ✔ Aesthetic & compact design
- ✔ Powder coated aluminium housing
- ✔ Integrated pretension for extra smooth installation
- ✔ Closing force over the full 180° opening angle
- ✔ Firmly fixed thanks to patented Quick-Fix system

Order code

VERTICLOSE-2-WALL- Powerful and all-round hydraulic gate closer for wall mounting



Recommended installation tools



LION-VTC-DRILL
P. 154

DRILLVISE-II
P. 155

DRILLVISE-IV
P. 155





Automation & Electronics

Automation has become a fundamental factor in the fence & gate sector. Locinox offers a wide range of solutions to manufacture user-friendly smart gates and fences.



26 Keypads



28 Electric strikes



31 Electromagnetic locks

42 Motorized drop bolts

43 Electrical accessories

44 Power supplies

i Outdoor keypads

The SlimStone-2 keypad with two integrated relays sets the new standard! With an IP 68 value SlimStone is designed to smoothly endure the most extreme weather conditions. Moreover, the Smart Heating System guarantees a frost-free and perfectly working keypad during winter time.

SlimStone-2 can monitor all Locinox access control products, as for example the surface mounted Modulec electric strike or our range of magnetic locks. Locinox automation products also fit this range. A quick and efficient installation ensures comfort and peace of mind.



Timesaving



Weatherproof



Quick-Fix fixation



IP68



Strong, frost-free and watertight keypad

SLIMSTONE-

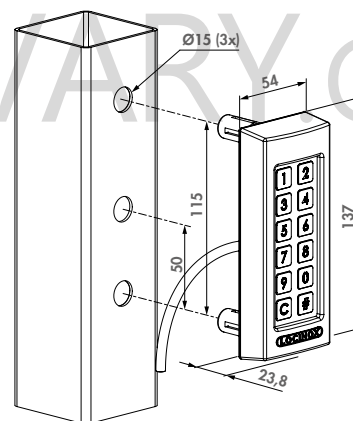
The SlimStone keypad with integrated led lighting is unique in its kind thanks to its strength. The keypad was developed and tested for use in the most extreme weather conditions. Assembly and mounting are very easy. Thanks to the integrated relay, with a common open and closed contact, both the coupling to Locinox and other automation products and the programming of the SlimStone is very easy.

Color options

ZILV 9005

Specifications

- ✓ IP68 rated - Extremely resistant to water and dust
- ✓ Aluminium vandal-proof housing with scratch-resistant textured lacquer
- ✓ Energy efficient adjustable white led lights
- ✓ Highly resistant stainless steel push buttons tested for 1,000,000 pushes and more
- ✓ Easy programming of up to 100 user codes
- ✓ Frost-free thanks to smart heating
- ✓ Tested from -30 up to +85° Celsius
- ✓ Time range adjustable between pulse and timer mode (100ms - 99s)
- ✓ Working voltage keypad from 10 up to 26 Volt AC/DC
- ✓ Current: 1.0 A (with heating) / Pmax= 13,5W (with max heating)
- ✓ 2 m connection cable included



Compatible products

MODULEC-SA
P. 29MODULEC-SH
P. 29LIKQ U2
P. 69B-MAG-
P. 31

Order code

SLIMSTONE- Weatherproof keypad with integrated relay, Inputvoltage 10 to 26 V AC/DC



NEW Sturdy, frost-free and weather resistant keypad with 2 integrated relays

SLIMSTONE-2-

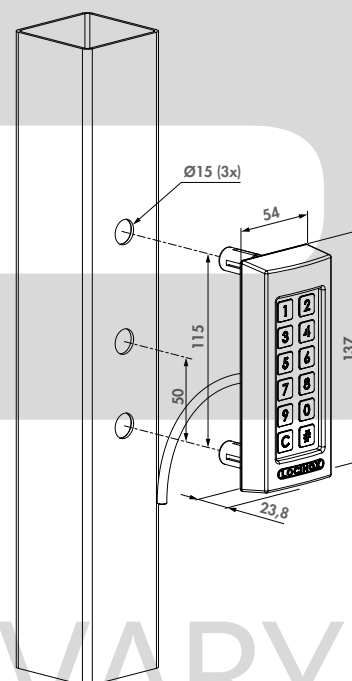
The new SlimStone-2 keypad contains two relays for an improved access control and advanced flexibility. It offers the possibility to command 2 different automation devices or to open the gate in 2 different ways. This keypad with integrated led lighting is unique thanks to its strength and extreme weather resistance (IP68). In all weather conditions, access control is guaranteed. Both integrated relays, with a Fail Open and Fail Close contact, allow an easy connection to Locinox and third-party automation products.

Color options

ZILV 9005

Specifications

- ✓ IP68 rated - Extremely resistant to water and dust
- ✓ Aluminium vandal-proof housing with scratch-resistant textured lacquer
- ✓ Energy efficient adjustable white led lights
- ✓ Highly resistant stainless steel push buttons tested for 1,000,000 pushes and more
- ✓ Easy installation and configuration
- ✓ Easy programming of up to 100 user codes
- ✓ Frost-free thanks to smart heating
- ✓ Tested from -30 up to +85° Celsius
- ✓ Time range adjustable between pulse and timer mode (100ms - 99s)
- ✓ Working voltage keypad from 10 up to 26 Volt AC/DC
- ✓ Current: 1.0 A (with heating) / Pmax= 13,5W (with max heating)
- ✓ 2 integrated switching relays: 2 x NO - 2 x NC - 2 x COM (Max. 2A, 60W, 26V AC/DC)
- ✓ 2 m connection cable included



Compatible products



MODULEC-SA
P. 29



MODULEC-SH
P. 29



LIKQ U2
P. 69



Order code

SLIMSTONE-2- Sturdy, frost-free and weather resistant keypad with 2 integrated relays

Electrical accessories



DVK-HD
P. 45



DVK
P. 44



2005
P. 45



PB-1
P. 44

Recommended power supplies



AC-TRANS-12V-25W
P. 45



DC-POWER-12V-20W
P. 46



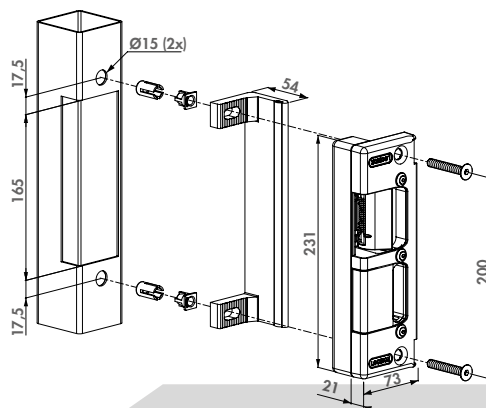
Electric keep for surface mounted locks

SE (Patented)

Electric strike for swing gates. The strike is equipped with a blocking system that withstands 500 kg pulling force. The deadbolt receiver has been reinforced with stainless steel. This innovation makes the strike even more robust. This keep is extremely strong and the ideal solution for all your access control. SE is available in two versions: E (Emissa - Fail Close) and R (Ruptura - Fail Open).

Specifications

- ✔ Type SE.E: Emissa - Fail Close
- ✔ Type SE.R: Ruptura - Fail Open
- ✔ Nightbolt receiver reinforced and out of stainless steel
- ✔ For post profiles of 50 mm and more
- ✔ Voltage: 12V AC/DC
- ✔ Current Emissa: 1A
- ✔ Current Ruptura: 1,5A
- ✔ Water resistant & weatherproof
- ✔ Pressure resistance on self-latching bolt: 500 kg



Order codes

SE-E Electric strike, Emissa, Fail Close

SE-R Electric strike, Ruptura, Fail Open

Compatible locks



LAKQ U2
P. 59

LUKY J5
P. 61

LDKZ D1
P. 65

LAKQ H2
P. 71



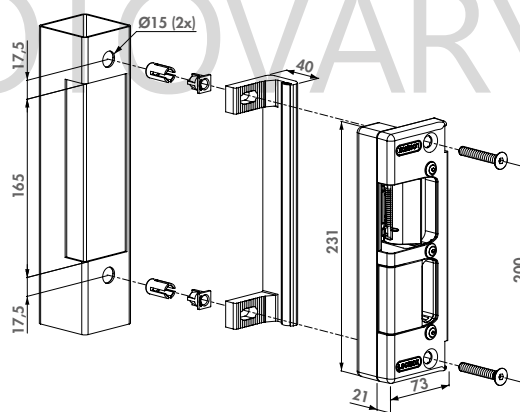
Electric keep for insert locks

SEH (Patented)

Electric strike for H-Metal and H-Wood. The strike is equipped with a blocking system that withstands 500 kg pulling force. This keep is extremely strong and the ideal solution for all your access control. SEH is available in two versions: E (Emissa - Fail Close) and R (Ruptura - Fail Open).

Specifications

- ✔ Type SEH.E: Emissa - Fail Close
- ✔ Type SEH.R: Ruptura - Fail Open
- ✔ Easy left or right changing
- ✔ For post profiles of 50 mm and more
- ✔ Voltage: 12V AC/DC
- ✔ Current Emissa: 1A
- ✔ Current Ruptura: 1,5A
- ✔ Water resistant & weatherproof
- ✔ Pressure resistance on self-latching bolt: 500 kg



Compatible locks



H-METAL
P. 83

H-METAL-WB
P. 84

H-WOOD
P. 89

Order codes

SEH-E Electric strike, Emissa, Fail Close for H-Metal and H-Wood

SEH-R Electric strike, Ruptura, Fail Open for H-Metal and H-Wood



Surface mounted electric keep

MODULEC-SA (Patent pending)

Easy-to-install electric keep for surface-mounting thanks to the patented Quick-Fix. Easily interchanged with the SA keep. Can be connected to both 12V - 24V and AC/DC.

Modulec-SA is available in two versions:

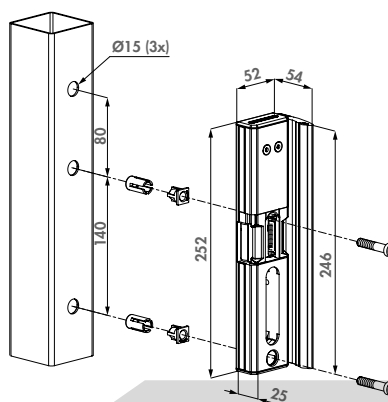
E (Emissa - Fail Close) and R (Ruptura - Fail Open).

Stop plate color options

ALUM 6005 7016 9005

Specifications

- ✓ Tested up to 500.000 movements
- ✓ Fast and easy fixing with Quick-Fix
- ✓ Resistance to pressure on the latch bolt: 300 kg
- ✓ Same drilling pattern as SA, SH and SM keeps
- ✓ Easy left or right changing
- ✓ Corrosion-resistant: black anodised housing
- ✓ Adjustable for gate profiles: 40-60 mm width
- ✓ Voltage: 12V-24V AC/DC
- ✓ Consumption: 12V - 1,25A / 24V - 0,62A
- ✓ Power: 15W



Compatible locks



Order code

MODULEC-SA-E Fail Close for surface mounted gate locks, 12-24V AC/DC

MODULEC-SA-R Fail Open for surface mounted gate locks, 12-24V AC/DC

LAKQ U2
P. 59

LUKY J5
P. 61

LDKZ D1
P. 65

LAKQ H2
P. 71



Surface mounted electric security keep

MODULEC-SH (Patent pending)

Replace your SHKL keep with an electrical surface mounted keep with Fail Close / Fail Open functionality. Easy to install thanks to the patented Quick-Fix. For 12V-24V and AC/DC. Modulec-SH is available in two versions:

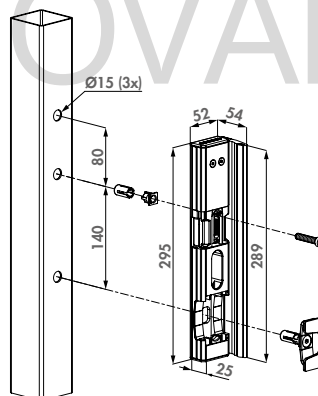
E (Emissa - Fail Close) and R (Ruptura - Fail Open).

Stop plate color options

ALUM 6005 7016 9005

Specifications

- ✓ Tested up to 500.000 movements
- ✓ Resistance to pressure on the latch bolt: 300 kg
- ✓ Easy mounting with Quick-Fix
- ✓ Same drilling pattern as SA, SH and SM keeps
- ✓ Easy left or right changing
- ✓ Corrosion-resistant: black anodised housing
- ✓ Adjustable for gate profiles: 40-60 mm width
- ✓ Voltage: 12V-24V AC/DC
- ✓ Consumption: 12V - 1,25A / 24V - 0,62A
- ✓ Power: 15W



Compatible locks



Order code

MODULEC-SH-E Fail Close for surface mounted gate locks, 12-24V AC/DC

MODULEC-SH-R Fail Open for surface mounted gate locks, 12-24V AC/DC

LAKQ U2
P. 59

LUKY J5
P. 61

LDKZ D1
P. 65

LAKQ H2
P. 71

BUILT-IN MAGNETIC LOCKS

A FULL CONCEPT FOR SWING GATES

MAGUNIT

High quality insert magnetic lock with guaranteed holding force and long durability. 500h salt spray resistant.

N-LINE-B-MAG

Aesthetic, adjustable and powder coated finishing profile for swing gates preventing people to stumble against protruding parts.

3006PULL

Elegant powder coated handle for easy opening and closing of the gate.

TIP

- Save time and order the all-in-one **N-LINE-B-MAG KIT**
- Make your gate self-closing with the powerful **VERTICLOSE-2** gate closer



Built-in magnetic lock

B FULL CONCEPT FOR SLIDING GATES



MAGUNIT

High quality insert magnetic lock with guaranteed holding force and long durability. 500h salt spray resistant.

N-LINE-S-MAG

Aesthetic, adjustable and powder coated finishing profile for sliding gates preventing people to stumble against protruding parts.

3006PULL

Elegant powder coated handle for easy opening and closing of the gate.

TIP

- Add access control to your gate with the strong, frost-free and watertight **SLIMSTONE** keypad (IP68)





Integrated magnet lock for swing gates

B-MAG-

Thanks to its assembly in the pole, this magnet lock can be installed invisibly and aesthetically, whilst maximal passage space is maintained. A quick assembly is done with Quick-Fix. It has a guaranteed tensile strength of 250 kg and resists to extreme weather conditions. The rubber bumpers prevent shaking of the gate, and damage to the gate and its accessories in case of harsh handling, and the flexible assembly of the armature plate guarantees a good closing even if the gate isn't perfectly aligned.

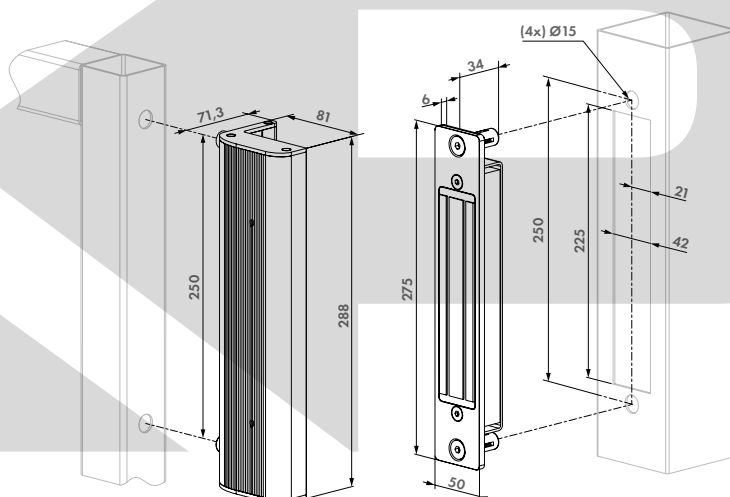


Color options

ZILV 9005

Specifications

- ✔ Guaranteed holding force tested on every Maglock
- ✔ 500h salt spray resistant! SGS certified (ISO 9227)
- ✔ Special two-layer protective coating developed for outdoor use
- ✔ Anti-residual magnetism kick-off system
- ✔ Minimal pulling force: 2500N (250 kg)
- ✔ Current: 460mA/12V or 230mA/24V



Order codes

B-MAG- Integrated magnet and bolt-on anchorplate for swing gates



Recommended products



SLIMSTONE-
P. 26



PB-1
P. 44



DVK-HD
P. 45



DC-ACCESS-12V-20W
P. 46



DC-POWER-12V-20W
P. 46



DC-POWER-24V-25W
P. 46

Set with magnet and anchorplate for N-LINE (B or S)-MAG profiles

MAGUNIT-2500

Set with a MAG-2500 and anchorplate along with fittings to combine with a N-LINE-B-MAG or N-LINE-S-MAG, 1 or more MAGUNITs can be mounted in the N-LINE profile.

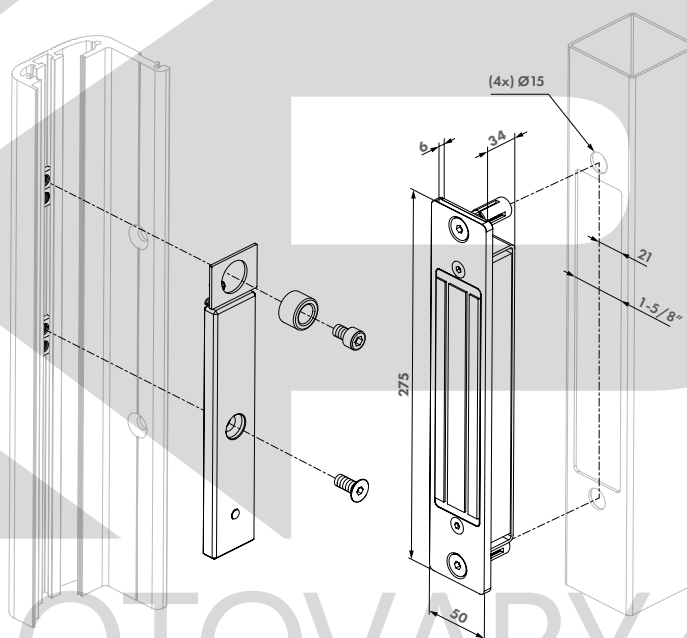


Specifications

- ✓ Guaranteed holding force tested on every Maglock
- ✓ 500h salt spray resistant! SGS certified (ISO 9227)
- ✓ Special two-layer protective coating developed for outdoor use
- ✓ Anti-residual magnetism kick-off system
- ✓ Current: 460mA/12V or 230mA/24V
- ✓ Voltage: 12V / 24V DC
- ✓ Minimal pulling force: 2500N (250 kg)

Order codes

MAGUNIT-2500 Magnet and anchorplate for N-LINE-B-MAG and N-LINE-S-MAG profiles



Required products



N-LINE-B-MAG-
P. 33



N-LINE-S-MAG-
P. 33





Aluminium finishing profile for swing gates to combine with MAGUNIT

N-LINE-B-MAG-

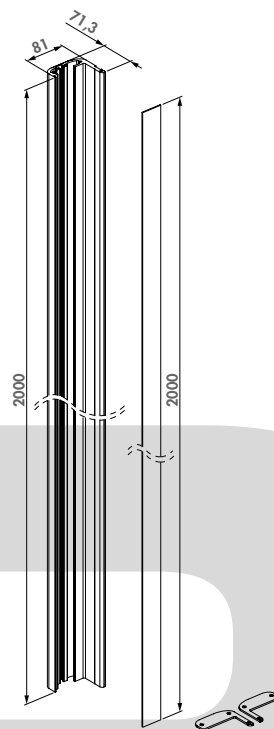
Adjustable, powder coated aluminium design profile for aesthetic closing of swing gates along with 1 or more MAGUNITs. Prevents passersby to stumble against the protruding MAG parts.

Color options

ZILV 9005

Specifications

- ✔ Profile length of 2 m
- ✔ Fast and easy fixing with Quick-Fix
- ✔ Powder coated aluminium housing
- ✔ Specially designed for exterior use



Compatible magnet



MAGUNIT-2500
P. 32

Order codes

N-LINE-B-MAG- Aluminium finishing profile for MAGUNIT-2500



Aluminium finishing profile for sliding gates to combine with MAGUNIT

N-LINE-S-MAG-

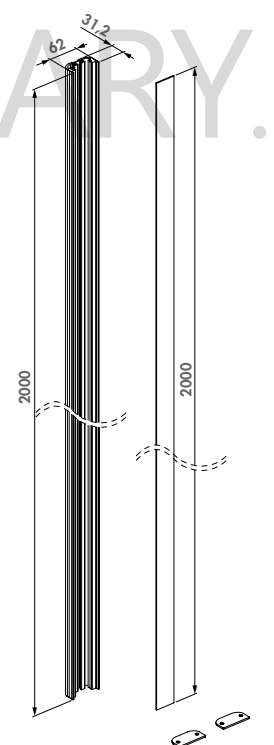
Adjustable, powder coated aluminium design profile for aesthetic closing of sliding gates along with 1 or more MAGUNIT-2500. Thanks to the integrated magnet and the armature plate, which are both integrated in the design profile, a safe and complete solution without any protruding components is guaranteed.

Color options

ZILV 9005

Specifications

- ✔ Profile length of 2 m
- ✔ Fast and easy fixing with Quick-Fix
- ✔ Powder coated aluminium housing
- ✔ Specially designed for exterior use



Compatible magnet



MAGUNIT-2500
P. 32

Order codes

N-LINE-S-MAG- Aluminium finishing profile for MAGUNIT-2500



Set with N-LINE-B-MAG & 2x MAGUNIT

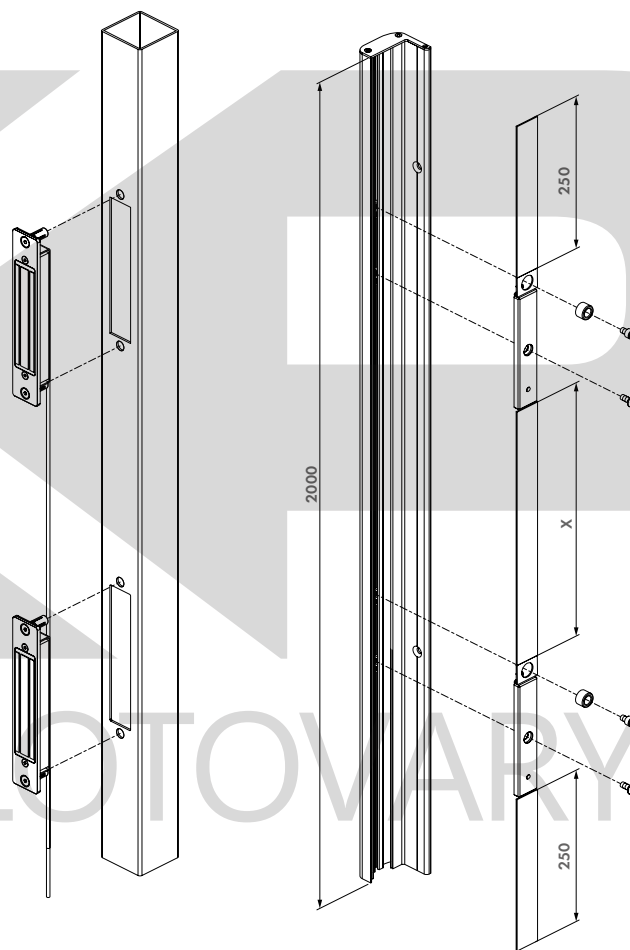
N-LINE-B-MAG-KIT-

Electromagnetic set for swing gates for fixing to the gate frame. The set consists of two MAGUNIT and an aesthetic design profile. Available in ZILV and RAL9005.



Specifications

- ✓ Includes 2 integrated magnets equipped with Quick-Fix mounting (MAGUNIT-2500)
- ✓ Including aluminium filling profile with Quick-Fix mounting (N-LINE-B-MAG profile)
- ✓ Profile length of 2 m
- ✓ Including 2 aluminium covers for an aesthetical finishing on top and bottom
- ✓ Specially designed for exterior use
- ✓ Voltage: 12V / 24V DC
- ✓ Current: 460mA / 12V or 230mA / 24V



Order codes

N-LINE-B-MAG-KIT-

Set with N-LINE-B-MAG profile and 2x
MAGUNIT-2500



Kit includes



N-LINE-B-MAG-
P. 33



MAGUNIT-2500
P. 32



KOBYLAŘOVÁRY.CZ



Integrated magnet lock for sliding gates

S-MAG-

S-MAG is the perfect product to lock any type of sliding gate. It has a guaranteed tensile strength of 550 lbs (250 kg) and resists extreme weather conditions. In case of harsh handling, the rubber bumpers prevent shaking of the gate. This way, the gate itself and its accessories are protected. The flexible assembly of the armature plate guarantees a normal closing, even if the gate isn't perfectly aligned.

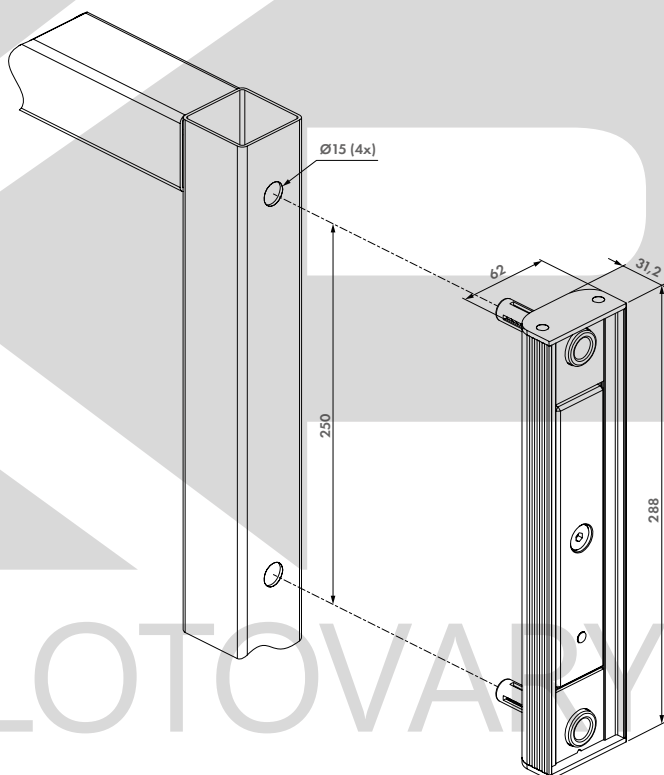


Color options

ZILV 9005

Specifications

- ✓ Guaranteed holding force tested on every Maglock
- ✓ 500h salt spray resistant! SGS certified (ISO 9227)
- ✓ Special two-layer protective coating developed for outdoor use
- ✓ Anti-residual magnetism kick-off system
- ✓ Minimal pulling force: 2500N (250 kg)
- ✓ Current: 460mA/12V or 230mA/24V



Order codes

S-MAG- Integrated magnet and bolt-on anchorplate for sliding gates, 250 kg pulling force



Recommended products



SLIMSTONE-
P. 26



PB-1
P. 44



DVK-HD
P. 45



DC-ACCESS-12V-20W
P. 46



DC-POWER-12V-20W
P. 46



DC-POWER-24V-25W
P. 46

SURFACE MOUNTED MAGNETIC LOCKS

FULL CONCEPT FOR SWING GATES



MAGMAG

High quality surface mounted magnetic lock with guaranteed holding force and long durability. 500h salt spray resistant

N-LINE-MAG

Aesthetic, adjustable and powder coated finishing profile for swing gates preventing people to stumble against protruding parts

3006PULL

Elegant powder coated handle for easy opening and closing of the gate

TIP

- Save time and order the all-in-one **N-LINE-MAG-KIT**
- Add access control to your gate with the strong, frost-free and watertight **SLIMSTONE** keypad (IP68)
- Make your gate self-closing with the aesthetic **MAMMOTH** gate closer



Electromagnetic lock with handles

✓ GUARANTEED PERFORMANCE

✓ COMFORTABLE

✓ WEATHERPROOF

✓ DURABLE

✓ TESTED & APPROVED



Surface mounted Magnetic lock with integrated handles

MAG



Innovative electro-magnetic lock for access control. Available in 2 versions. MAG2500 with 250 kg and MAG5000 with 500 kg pulling force. The aluminium powder coated housing with integrated design handles gives your access control gate that extra touch. Stop losing precious time with welding boxes; drilling 7 holes does the job. The Quick-Fix enables a fast and strong fixing. A two layer, protective coating guarantees that our electro-magnetic locks are ready for years of worry-free use outside.



Color options

ZILV 6005 9005

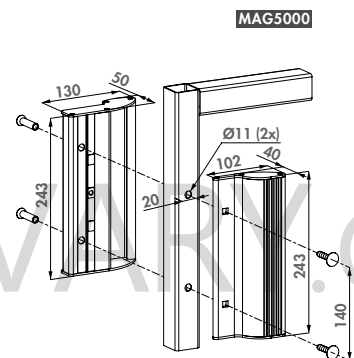
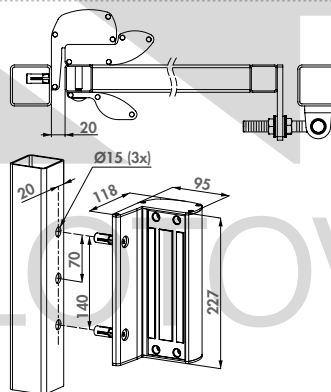
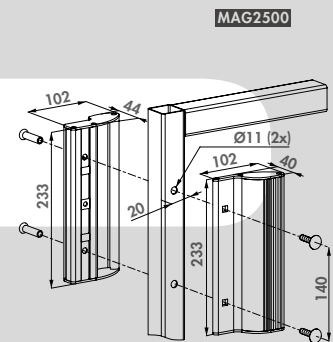
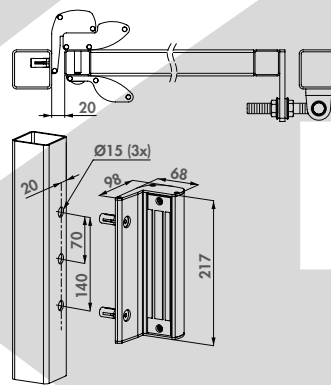
Specifications

- ✓ 500h salt spray resistant! SGS certified (ISO 9227)
- ✓ Guaranteed holding force tested on every Maglock
- ✓ Special two-layer protective coating developed for outdoor use
- ✓ Powder coated aluminium housing
- ✓ Anti-residual magnetism kick-off system
- ✓ Raised edge on the magnet housing makes it impossible to put a crowbar between the magnet and the armature plate
- ✓ Fast and easy fixing by means of 5 holes with Quick-Fix
- ✓ Voltage: 12V / 24V DC
- ✓ Current: 460mA / 12V or 230mA / 24V

Order codes

MAG-2500 For square posts and gate profiles of 40 mm to 80 mm, 250 kg pulling force

MAG-5000 For square posts and gate profiles of 40 mm to 80 mm, 500 kg pulling force



Recommended products



N-LINE-MAG-2500
P. 40



PB-1
P. 44



DVK-HD
P. 45



DC-ACCESS-12V-20W
P. 46



DC-POWER-24V-25W
P. 46

Surface mounted Electro-magnetic lock without integrated handles

MAGMAG



Magnetic lock without handle. Available in 2 versions. MAGMAG2500 with 250 kg and MAGMAG5000 with 500 kg of pulling force. The aluminium powder coated housing equipped with the unique Quick-Fix ensures a fast and nicely finished mounting. Eliminate time-consuming welding; drilling 5 holes is enough to fix the lock. A two layer, protective coating guarantees that our electro-magnetic locks are ready for years of worry free use outside.

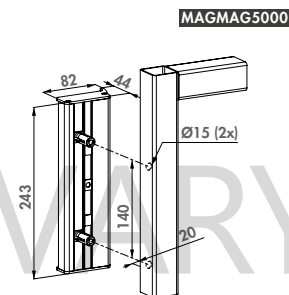
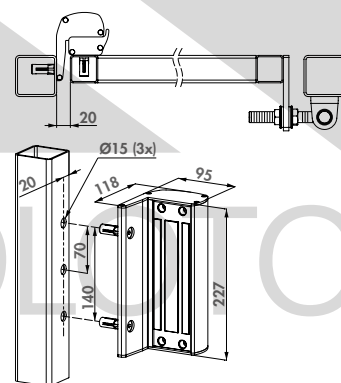
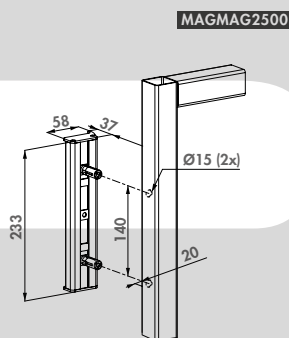
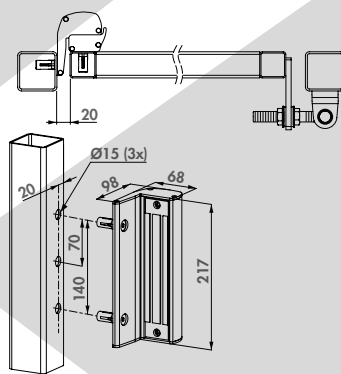


Color options

ZILV 6005 9005

Specifications

- ✔ 500h salt spray resistant! SGS certified (ISO 9227)
- ✔ Guaranteed holding force tested on every Maglock
- ✔ Special two-layer protective coating developed for outdoor use
- ✔ Powder coated aluminium housing
- ✔ Anti-residual magnetism kick-off system
- ✔ Raised edge on the magnet housing makes it impossible to put a crowbar between the magnet and the armature plate
- ✔ Fast and easy fixing by means of 5 holes with Quick-Fix
- ✔ Voltage: 12V / 24V DC
- ✔ Current: 460mA / 12V or 230mA / 24V



Order codes

MAGMAG-2500 For square posts and gate profiles of 40 mm to 80 mm, 250 kg pulling force

MAGMAG-5000 For square posts and gate profiles of 40 mm to 80 mm, 500 kg pulling force



Recommended products



N-LINE-MAG-2500
P. 40



PB-1
P. 44



DVK-HD
P. 45



DC-ACCESS-12V-20W
P. 46



DC-POWER-24V-25W
P. 46



Profile for MAG2500 and MAGMAG2500 magnetic locks

N-LINE MAG

Adjustable, powder coated aluminium design profile for aesthetic closing of the gaps between 2 MAG2500 or MAGMAG2500 magnetic locks. To be fixed to the post. Prevents passersby to bump into the protruding Maglock parts.

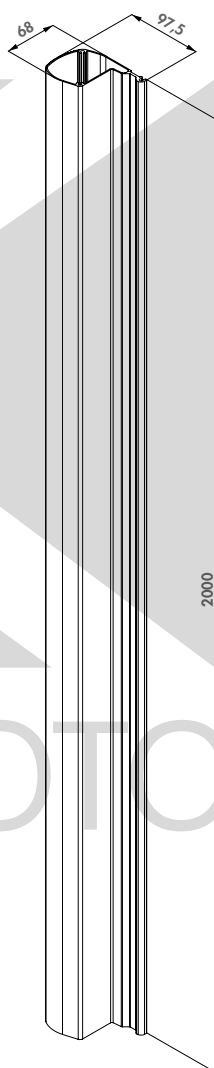


Color options

ZILV 9005

Specifications

- ✓ Profile length of 2 m
- ✓ Delivered with self drilling screws, compatible with Quick-Fix
- ✓ 2 plastic cover caps and 6 in between caps included
- ✓ Separate adaptor needed with 3006PULL, delivered with 3006PULL



Order code

N-LINE-MAG-2500

Aluminum finishing profile for MAG-2500 & MAGMAG2500



Recommended magnetic locks



MAG-2500
P. 38

MAGMAG-2500
P. 39

Set with N-LINE MAG profile, 2 x MAGMAG2500

N-LINE MAG KIT-2500

Set with N-LINE MAG profile and 2x MAGMAG2500 and 3006PULL handle. 3006PULL handle is included to finish your gate. Aesthetic solution which prevents passersby to bump into the Maglock parts.

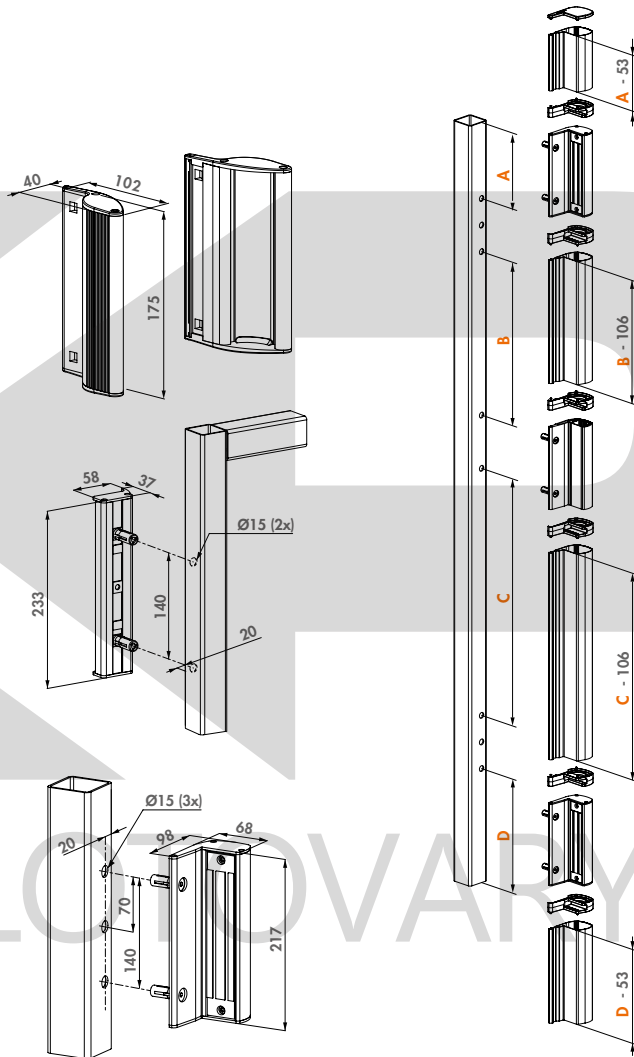


Color options

ZILV 9005

Specifications

- ✓ Adjustable aluminium design profile to mount above, below and in between the magnets
- ✓ Profile length of 2 m
- ✓ Delivered with self drilling screws, compatible with Quick-Fix
- ✓ 2 plastic cover caps and 6 in between caps included
- ✓ Aluminium 3006PULL handle included
- ✓ Delivered with 2x MAGMAG2500
- ✓ Voltage: 12V / 24V DC
- ✓ Current: 460mA / 12V or 230mA / 24V



Order code

N-LINE MAG KIT-2500

Set with N-LINE MAG profile and 2x MAGMAG2500 and 3006PULL handle



Kit includes



N-LINE-MAG-2500
P. 40



MAGMAG-2500
P. 39



3006PULL
P. 161



Motorised electrical drop bolt

ELECTRADROP (Patented)

Electric 24V drop bolt with 115 mm throw for safe locking of automated swing gates. By securing your gate with an Electradrop you disburden the electric gate motors.

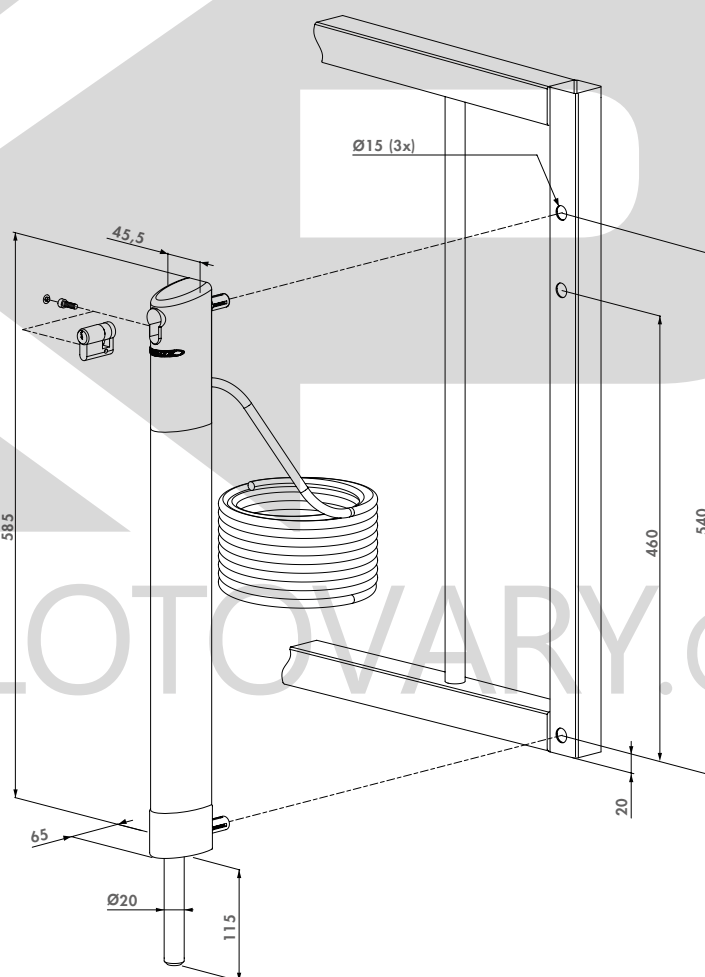


Color options

ZILV 9005

Specifications

- ✔ Vandal-proof, powder coated aluminium housing
- ✔ To be connected to the warning light on automated gates (min 3 sec prewarning signal) or directly on the gate automation
- ✔ Mechanical release possible (by key) in case of emergency
- ✔ Fitted with relay for drop bolt detection
- ✔ Obstacle detection with automatic stop of the drop bolt in case of a pressure exceeding 18 kg
- ✔ Consumption: 25 W / Standby: 0,2 W
- ✔ 5 m cable included
- ✔ Included: 3012-37-STD cylinder
- ✔ To connect to a Locinox DC-POWER-24V-25W power supply



Order code

ELECTRADROP For profiles 40 x 40 mm or more



Compatible ground stop & power supply



OGS
P. 142



DC-POWER-24V-25W
P. 46

Design LED-lighting for fences & gates

TRICONE

Plug & Play design led lighting for your fences & gates. Gives your gate an aesthetical look with minimal power consumption! The Quick-Fix provides a fast and strong fixing on your fencing.

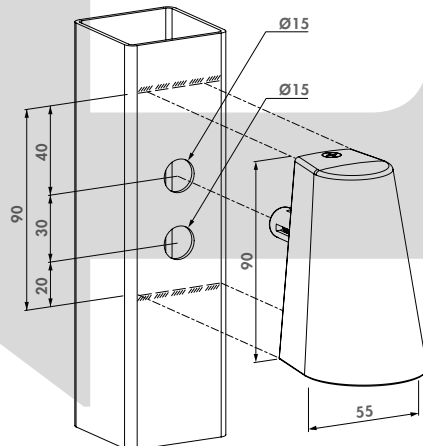


Color options

ZILV 9005

Specifications

- ✔ Easy mounting with Quick-Fix
- ✔ Aluminium housing with plastic (POM) cable guiding
- ✔ 3 white High-Flux led Lights
- ✔ ± 140° beam angle
- ✔ Life expectancy: 50.000 hours
- ✔ 300 lux (illuminance)
- ✔ Power: ± 1W (with 12V DC)
- ✔ 12V AC or DC (max. 18V DC or peak AC)
- ✔ Minimum power consumption and long lasting performance
- ✔ Resin encapsulated print circuit board for maximum weather resistance
- ✔ Power up to 20 Tricone with 1 Locinox AC transformer or up to 15 with the DC power
- ✔ IP54



Order code

TRICONE Design led-lighting for gates with Quick-Fix



Cable guiding



DVK-HD
P. 45



DVK
P. 44



2005
P. 45



PB-1
P. 44

Recommended power supplies



AC-TRANS-12V-25W
P. 45



DC-POWER-12V-20W
P. 46



DC-ACCESS-12V-20W
P. 46



Powerbox - Transformer housing

PB-1

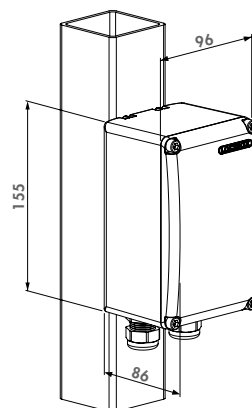
Aluminium powder coated transformer box with Quick-Fix for strong and easy fixing. IP66

Housing color options

ZILV 9005

Specifications

- ✔ Waterproof transformer box - IP66
- ✔ Aluminium powder coated
- ✔ DIN-rail included: 86 mm (5 units)
- ✔ Supplied with 2 gland nuts M20 and 2 stop plugs M16
- ✔ Designed with heat-dissipation fins at the back



Housing for power supplies and timer



AC-TRANS-12V-25W
P. 45



DC-ACCESS-12V-20W
P. 46



DC-POWER-12V-20W
P. 46



DC-POWER-24V-25W
P. 46

Order code

PB-1 Transformer housing with DIN-rail and Quick-Fix fixing



Guiding cable

DVK

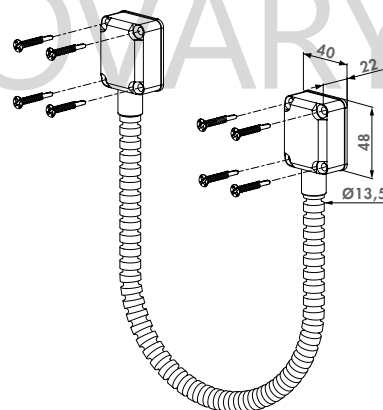
Stainless steel guiding cable to protect your electrical wires in an outside environment.

Color options

ZILV

Specifications

- ✔ Stainless steel guiding cable for electrical wire
- ✔ Length of the cable: 450 mm
- ✔ Supplied with 8 self tapping screws
- ✔ Inner diameter: $\varnothing 10,5$ mm



Recommended cable



Order code

DVK Reinforced stainless steel guiding cable 450 mm

2005
P. 45



Reinforced, braided stainless steel guiding cable

DVK-HD

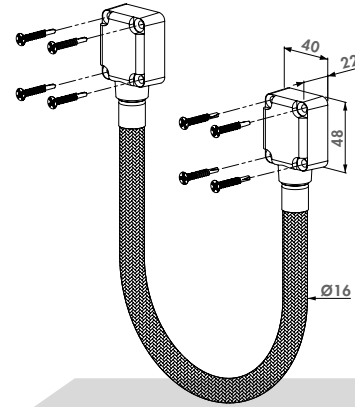
Aesthetic and durable solution for the guidance of electrical wiring. Protects your wiring against dirt, moist and vandalism in an outside environment. The cable wraps around and protects the cabling of your electrical gate hardware and avoids the risk of short circuiting.

Color options

ZILV

Specifications

- ✔ Vandal-proof, stainless steel, braided guiding cable
- ✔ Available with 450 or 650 mm braided cable
- ✔ Protects electrical wiring against vandalism, moist, dirt and vermin
- ✔ Strong fixation by means of 8 self-tapping stainless steel screws
- ✔ Cable entry: aluminium housing
- ✔ Inner diameter: Ø9 mm



Recommended cable



2005
P. 45

Order codes

- DVK-HD-450** Reinforced stainless steel guiding cable 450 mm
DVK-HD-650 Reinforced stainless steel guiding cable 650 mm



Electrical wire

2005

Electrical cable; very flexible and weatherproof.

Specifications

- ✔ Length of the wire: 5 m
- ✔ 2 x 0,75 mm²
- ✔ Water resistant & weatherproof
- ✔ Tested at 500.000 bendings
- ✔ Kink resistant

Order code

- 2005** Electrical cable 5 m - 2 x 0,75 mm²



Safety transformer 12V AC

AC-TRANS-12V-25W

Safety Transformer 12V AC

Specifications

- ✔ Mounting on DIN-rail or directly
- ✔ Power: 25W
- ✔ Primary voltage: 230V AC - Secondary voltage 12V AC
- ✔ Aluminium housing
- ✔ Robust control module: encapsulated for superior humidity resistance

Order code

- AC-TRANS-12V-25W** Transformer 12V AC - 25W



All-in one 12V DC Access Module with integrated timer

DC-ACCESS-12V-20W

All-in-one, Plug & Play Access Module (220V AC input). Including power supply and integrated timer with easy to read display and easy to operate: time range (1 to 99s) of switched state controlled by push buttons. A 12 V DC Fail Open or Fail Close device can be easily connected to the module.

Specifications

- ✓ Mounting on DIN-rail or directly
- ✓ Time range (1 to 99s) of switched state controlled by push buttons
- ✓ Set time clearly visible on display
- ✓ Robust control module: encapsulated for superior humidity resistance
- ✓ Input voltage: 220V AC / Maximum output power: 25W

Order code

DC-ACCESS-12V-20W All-in one 12V DC Access Module with integrated timer



Safety power supply 12V and 13V DC

DC-POWER-12V-20W

Safety power supply 12V / 13V DC - 20W

Specifications

- ✓ Mounting on DIN-rail or directly
- ✓ Power: 20W
- ✓ Primary voltage: 230V
- ✓ Secondary voltage: 12V and 13V DC
- ✓ Aluminium housing
- ✓ Robust control module: encapsulated for superior humidity resistance

Order code

DC-POWER-12V-20W Power supply 12 V DC - 20 W



Safety power supply 24V and 25V DC

DC-POWER-24V-25W

Safety power supply 24V / 25V DC - 25W

Specifications

- ✓ Mounting on DIN-rail or directly
- ✓ Power: 25W
- ✓ Primary voltage: 230V
- ✓ Secondary voltage: 24V and 25V DC
- ✓ Aluminium housing
- ✓ Robust control module: encapsulated for superior humidity resistance

Order code

DC-POWER-24V-25W Power supply 24-25V DC - 25W



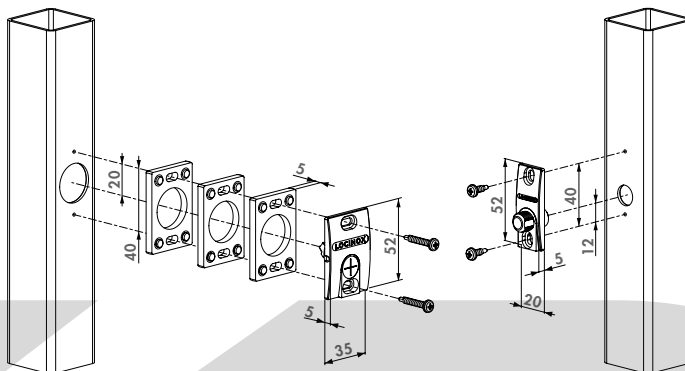
Position detection set for gates - stand alone

GATESWITCH

Multi-purpose position detection set, consisting out of a magnet and magnetic switch. This set can be easily connected to any electrical system like your access control or burglary system. The distance between the magnets can be easily changed by means of an adjustable magnet and included filler plates.

Specifications

- ✔ Possibility to activate led light when the sensor detects the magnet (requires 12V DC at the gate)
- ✔ Operates with Normally Open (N/O) or Normally Closed (N/C) contacts
- ✔ Required distance between the gate and the post is minimum 10 mm and maximum 50 mm
- ✔ Easy adjustment of distance between sensor and magnet by means of filling plates (fillers) and screwable magnet



Recommended power supplies



DC-POWER-12V-20W
P. 46

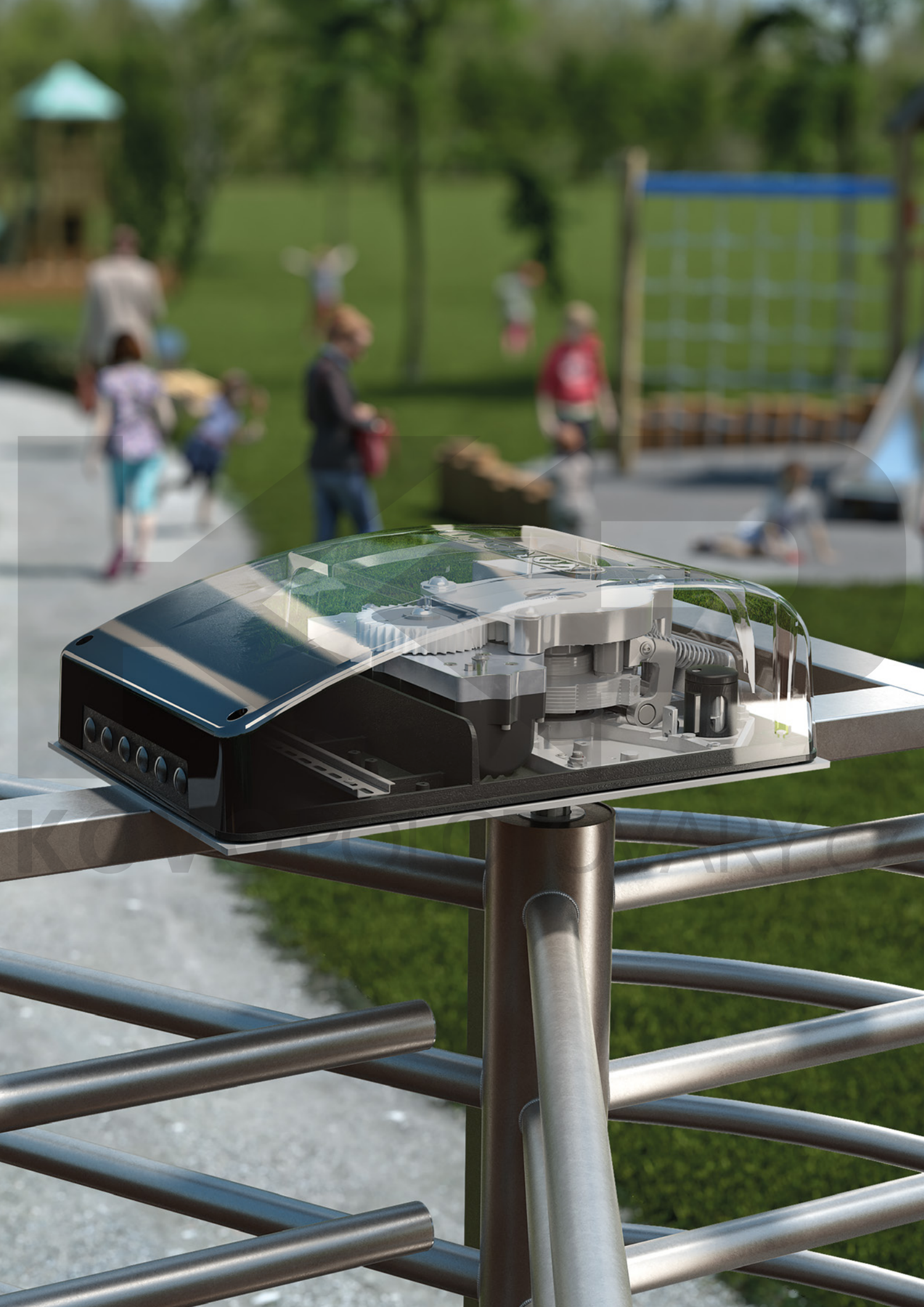


DC-ACCESS-12V-20W
P. 46

Order code

GATESWITCH For gate situations with a min. gap of 10 mm and max. 50 mm between post and gate





Turnstiles

The Locinox (electro)mechanical control unit allows you to easily create a maintenance free and high quality turnstile. You have an (electro)mechanical unit at your disposal with which you can match the design of your turnstile to the design of your fencing!



52 Turnitec



53 Access control modules

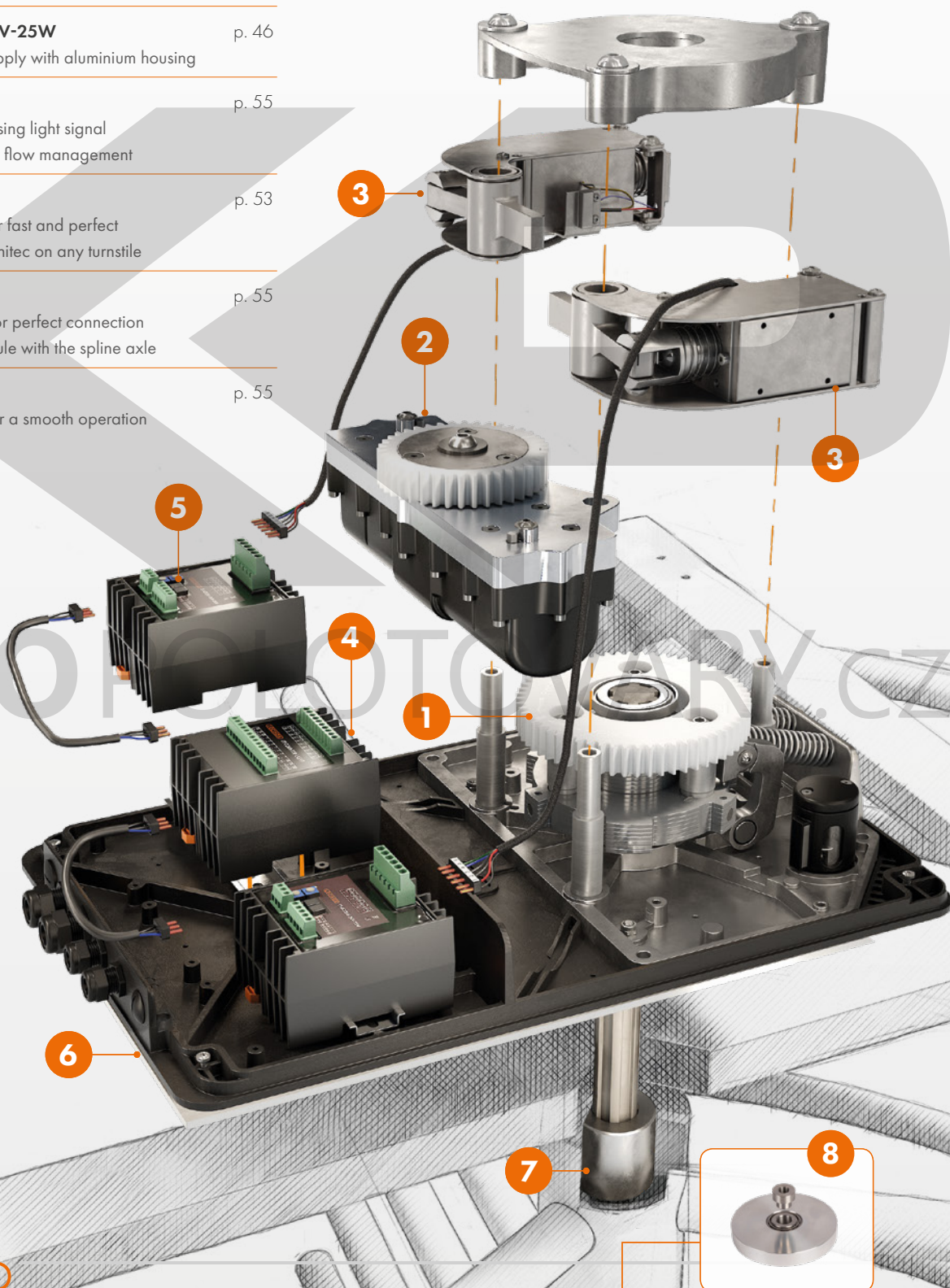


KOVO POLOTOVARY.CZ

(ELECTRO)MECHANIC CONTROL UNIT FOR TURNSTILES

THE COMPLETE TURNITEC SOLUTION

- 1 TT-BM3S** p. 53
The essential module for any turnstile
- 2 TT-DM3** p. 53
Recommended hydraulic damping mechanism for extra user comfort
- 3 TT-FO32/TT-FC32** p. 54
Fail Open or Fail Close electromechanical module for access control
- 4 DC-POWER-24V-25W** p. 46
Robust power supply with aluminium housing
- 5 TT-CL2** p. 55
Counter and passing light signal module for visitor flow management
- 6 TT-BSP/TT-SSP** p. 53
Welding plate for fast and perfect installation of Turnitec on any turnstile
- 7 TT-SAH** p. 55
Recommended for perfect connection of the basic module with the spline axle
- 8 TT-PIVOT** p. 55
Lower bearing for a smooth operation



ADVANTAGES FOR YOUR CLIENT

SAVE MONEY

No security guards or ticket takers required

MONITOR AND CONTROL ALL TRAFFIC

You own the place

NO UNAUTHORIZED PEOPLE ON SITE

Keep everyone safe

REDUCE CRIME, BURGLARY AND THEFT

Ensures everyone's comfort and peace of mind

HIGHLY RELIABLE

Tested on 1 million movements

**10
REASONS
TO LOVE
THE TURNITEC**

ADVANTAGES FOR YOU

100% FLEXIBILITY AND MODULARITY

Fits any need, build your own Turnitec

ONE PERSON AT A TIME

Prevent tailgating
(individuals entering right behind someone else)

EXTREME WEATHERPROOF

A perfect functioning, anywhere in the world

LOW ECOLOGICAL FOOTPRINT

Thanks to the energy-efficient power consumption

CONTROL ONE OR BOTH FLOW DIRECTIONS

POPULAR APPLICATIONS



PARKING SITES



AIRPORTS

ELECTROMECHANICAL:
ACCESS CONTROL
FOR EXTRA SECURITY



PUBLIC AREAS



SCHOOLS

MECHANICAL:
FREE ENTRY AND EXIT
OR LOCKED



INDUSTRY



COMMERCIAL



PUBLIC
TRANSPORT



BIKE PARKS



PRISONS



MILITARY
INSTALLATIONS



FESTIVALS



AIRPORTS
& PORTS



POWER PLANTS



PARKING SITES



AMUSEMENT
PARKS



EDUCATIONAL
FACILITIES



PLAYGROUNDS



SPORTS
STADIUMS

Modular (electro)mechanical control unit for turnstiles

TURNITEC (Patented)



The Locinox (electro)mechanical control unit allows you to easily create a maintenance free and high quality turnstile. You can match the design of your turnstile to the design of your fencing! The Turnitec mechanism is applicable to any turnstile and a quick installation is guaranteed. Thanks to the 100% modular design you can adapt the mechanism to your customers' desires. A comfortable and safe operation is guaranteed by the optional damping system that is unaffected by temperature changes.

Compatible Turnitec modules



TT-BM3S
P. 53



TT-BSP / TT-SSP
P. 53



TT-DM3
P. 53



TT-FO32
P. 54



TT-FC32
P. 54



TT-MM3S
P. 54



TT-SAH
P. 55



TT-PIVOT
P. 55



TT-CL2
P. 55

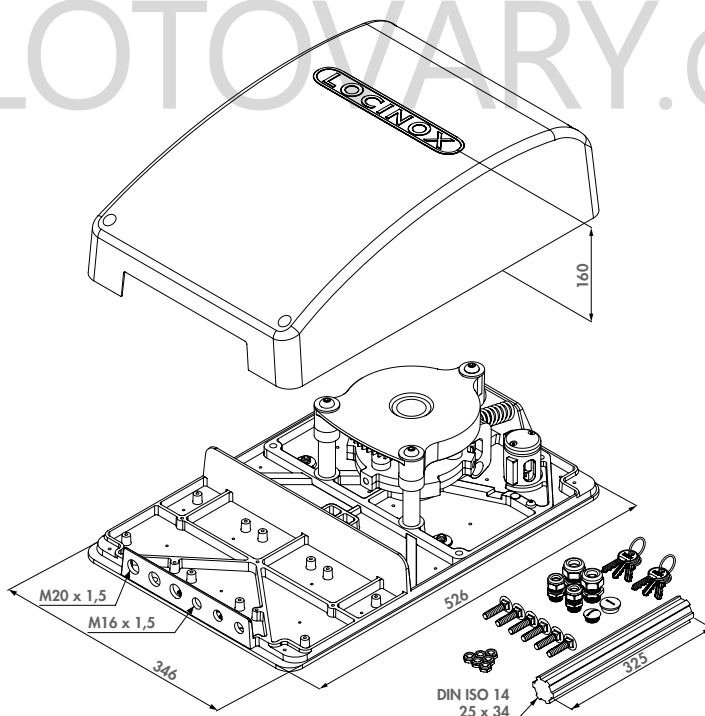
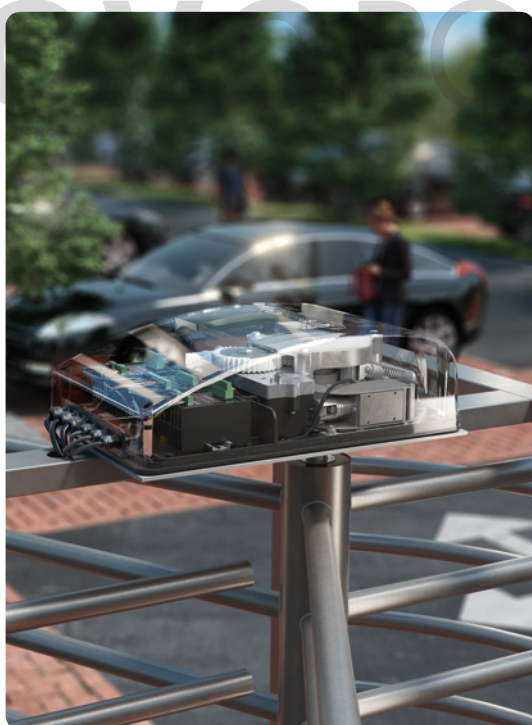
Specifications

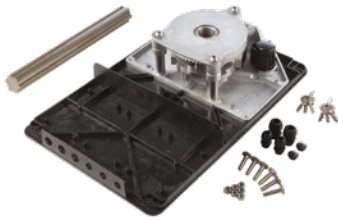
- ✓ 100% modular system: composition according customers' desires and expandable at any moment
- ✓ Optional interchangeable left/right mechanical or electromechanical modules (Fail Open or Fail Close)
- ✓ Automatic return to starting position (by means of industrial pressure springs) after every passage
- ✓ Anti-passback security (locking after a 60° rotation): prevents the simultaneous passing of 2 persons
- ✓ Very robust implementation and strong connection with the turnstile by a 34 mm diameter spline axle (length 325 mm)
- ✓ Manufactured completely in rust-proof parts (stainless steel and aluminium)
- ✓ Optional welding plate in black or stainless steel enables an easy mounting on every turnstile
- ✓ Optional damping system guarantees smooth and gradual movements. Damping is continuous and unaffected by temperature changes (patented system)
- ✓ Possible to set signal duration
- ✓ IP55 housing protects the mechanism against water, dirt, wind, dust and vermin

Order code

TTEC-BM3S-FO32-FC32-DM3-CL1

Full option Turnitec, Base mechanism + 1 Fail Open module + 1 Fail Close module + Hydraulic damper + 1 Counter & Light module





TURNITEC base mechanism 3-arm

TT-BM3S

With the TURNITEC base mechanism you can bi-directionally operate your turnstile free-turning. This mechanism can be modularly expanded with the mechanical and electromechanical locking modules and a hydraulic damper to further fine-tune the access control and usability of your turnstile.

Specifications

- ✔ Designed with rustproof materials
- ✔ With easy to mount optional welding plate and spline axle
- ✔ Dimensions: 550 x 350 x 170 mm
- ✔ IP55 housing protects the mechanism against water, dirt, wind, dust and vermin
- ✔ Modular system to further expand
- ✔ High quality and guaranteed performance (tested on 1 million movements)

Order code

TT-BM3S Base mechanism 550 x 350 x 170 mm



TURNITEC welding plate

TT-BSP / TT-SSP

Welding plate for TURNITEC mechanism for a flawless installation of the TURNITEC on any turnstile. The punched drilling pattern and cutouts for the cylinders ensure a fast and error-free installation.

Specifications

- ✔ Welding plate in black steel or stainless steel
- ✔ Plate thickness: 5 mm
- ✔ Punched drilling pattern of base mechanism and cylinders for an error-free installation

Order codes

TT-SSP - Stainless Steel welding plate 530 x 350 x 5 mm

TT-BSP - Black Steel welding plate 530 x 350 x 5 mm



Hydraulic damper for TURNITEC

TT-DM3 (Patented)

Unique hydraulic damper for your TURNITEC mechanism. The first half of the rotation is undamped and the second half is damped progressively thanks to the continuous damping of the mechanism. This results in a fluent motion of the turnstile and avoids the turnstile hitting the users heels.

Specifications

- ✔ Patented hydraulic damping system
- ✔ Damping of the rotational movement is continuous and progressive and starts from 60° in the 3-arm version
- ✔ Smooth and gradual movements through continuous damping by the damper
- ✔ Easy to retrofit on an existing TURNITEC system
- ✔ High quality and guaranteed performance (tested on 1 million movements)
- ✔ The system is unaffected by temperature changes

Order code

TT-DM3 Hydraulic damping module for TT-BM3



Fail Open electromodule 3-arm for TURNITEC

TT-FO32

With the electromechanical module an operator has the ability to control incoming and outgoing traffic. Granting access or closing the system, changing the rotational direction and executing access control, all can be managed easily with the TURNITEC module.

Specifications

- ✔ Time range (1 to 99s) of switched state controlled by push buttons
- ✔ 100% secure: reset function to rest after 1 full rotation of the turnstile
- ✔ Fitted with a 24V DC power supply made for exterior use and with integrated timer
- ✔ Input voltage: 220V AC / Maximum output power: 25W
- ✔ Easy to expand with a TT-COUNTER-LIGHT module to control a counter and/or signalisation
- ✔ Anti-passback security: protected against the simultaneous entrance of 2 persons thanks to the 60° locking mechanism
- ✔ High quality and guaranteed performance (tested on 1 million movements)

Order code

TT-FO32 Fail-Open access control electromodule for TT-BM3



Fail Close electromodule 3-arm for TURNITEC

TT-FC32

With the electromechanical module an operator has the ability to control incoming and outgoing traffic. Granting access or closing the system, changing the rotational direction and executing access control, all can be managed easily with the TURNITEC module. After authorisation the turnstile is unlocked electronically and visitors have access to the terrain.

Specifications

- ✔ Time range (1 to 99s) of switched state controlled by push buttons
- ✔ 100% secure: reset function to rest after 1 full rotation of the turnstile
- ✔ Fitted with a 24V DC power supply made for exterior use and with integrated timer
- ✔ Input voltage: 220V AC / Maximum output power: 25W
- ✔ Easy to expand with a TT-COUNTER-LIGHT module to control a counter and/or signalisation
- ✔ Anti-passback security: protected against the simultaneous entrance of 2 persons thanks to the 60° locking mechanism
- ✔ High quality and guaranteed performance (tested on 1 million movements)

Order code

TT-FC32 Fail-Close access control electromodule for TT-BM3

Mechanical module for TURNITEC

TT-MM3S



This module for the TURNITEC mechanism offers the advantage of working completely mechanical. No power supply or cabling is needed. The release and locking of a direction of rotation is easy to set with a Europrofile cylinder lock. People can enter the terrain by pushing the turnstile arm.

Specifications

- ✔ Can be used for left or right rotation
- ✔ No electricity or power supply needed
- ✔ Anti-passback security: protected against the simultaneous entrance of 2 persons thanks to the 60° locking mechanism
- ✔ Mechanical module easy to install on site or to be replaced by an electromechanical module
- ✔ High quality and guaranteed performance (tested on 1 million movements)

Order code

TT-MM3S Mechanical access control module for TT-BM3



Counter & passing light signals module for TURNITEC

TT-CL2

Plug&Play module which enables connecting counters and passing light signals in both turning directions. A counter tells you how many people are on the terrain or how many rotations your turnstile made, while passing light signals guarantee a swift, safe and correct use of the turnstile.

Specifications

- ✔ Easy to connect with the TT-FO32 and TT-FC32 module
- ✔ Controlled by means of included reed contacts
- ✔ For both clockwise (CW) and counterclockwise (CCW) direction a voltage free changeover contact (NO&NC) is provided for passing light signal control (max 250V AC (30V DC)/1A)
- ✔ For both rotational directions a voltage free NO contact (0,5s closed at a correspondent move) is provided for connection of an external counter (max 250V AC (30V DC)/1A on the NO contact)
- ✔ Aluminium powder coated housing with heat dissipation fins

Order code

TT-CL2 Turnitec counter & passing lights module



Hub for seamless connection with turnstile

TT-SAH

Hub for seamless connection of the Turnitec base mechanism with the spline axle and the turnstile.

Specifications

- ✔ Grooved hub for optimal connection with spline axle
- ✔ 1 on 1 transmission of rotational movement
- ✔ Hub in stainless steel
- ✔ Equal distribution of the load over the hub's teeth (increased fatigue resistance)
- ✔ Tolerances according ISO2768-M
- ✔ Diameter and height: 60 mm
- ✔ Diameter center hole: 28 mm
- ✔ Height of teeth: 3 mm

Order code

TT-SAH Hub for seamless connection with turnstile



Lower bearing and flange assembly for turnstiles

TT-PIVOT

Stainless steel bearing in a 17 mm thick aluminium baseplate. With bearings for a guaranteed smooth operation. Available with ball bearing or tapered roller bearing.

Specifications

- ✔ Aluminium baseplate to be adjusted to the turnstile diameter
- ✔ TT-PIVOT-BB: double sealed, stainless steel ball bearing (200 kg axial load)
- ✔ TT-PIVOT-CC: tapered roller bearing, protected by baseplate (750 kg axial load)
- ✔ Stainless steel Ø25 mm axis with centered M12 threaded hole

Order codes

TT-PIVOT-BB Lower ball bearing and flange assembly for full height turnstiles

TT-PIVOT-CC Lower tapered roller bearing and flange assembly for full height turnstiles



Locks

Locinox locks guarantee a well operating gate. Every lock is thoroughly tested excessively in our own test center where they are exposed to the most extreme circumstances. This ensures us that our locks will work in all weather conditions. We offer a variety of locks for garden gates, industrial gates or swimming pool gates. Locinox locks - the safest solution in fence protection.



59 Locks for swing gates



73 Locks for child safety gates

76 Locks for sliding gates



101 Insert locks

i Modularity

One drilling template for all our locks and keeps.

With this interchangeability, the Locinox lock gives you the opportunity to offer a solution for every situation.



100% modular



1 gate profile,
lots of possibilities

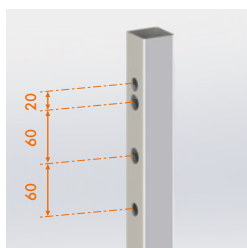


Left/right reversible

1 prepared post = so many possibilities



1 easy installation method for all our locks





Surface mounted gate lock

LAKQ U2 (Patented)

High quality gate lock with aluminium housing and stainless steel mechanism. We advise this lock as a standard for all your industrial gates. The 20 mm continuous adjustability of the bolts allows a perfect latching / locking of the mechanism. A solid stainless steel deadbolt with a 23 mm throw guarantees a secure locking. Standard supplied with anodised aluminium handle pair. For a fast and highly precise installation, we recommend using the Drill-Fix drilling jig.

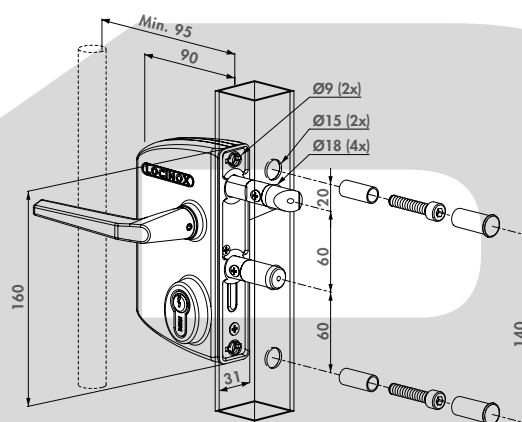


Lockbox color options

ZILV 6005 6009 7016 9005 9010

Specifications

- ✓ ISO 9227 KTL / E-coated lock box withstands 1000 hours of salt spray test
- ✓ Easy left or right changing of the self-latching daybolt
- ✓ 23 mm throw of the dead bolt, in 1 turn of the key
- ✓ Key-operated self-latching bolt
- ✓ 4-hole fixing with two hexagon socket head screws
- ✓ 60 mm center distance of the bolts
- ✓ Continuous adjustment of the daybolt up to 20 mm without dismounting the lock box
- ✓ Stainless steel mechanism



Locks for swing gates

Recommended keeps



SAKL QF
P. 95



SHKL QF
P. 95



MODULEC-SA
P. 29

Order codes

For square profiles

LAKQ3030 U2L Adjustable from 30 mm to 50 mm

LAKQ4040 U2L Adjustable from 40 mm to 60 mm

LAKQ6060 U2L Adjustable from 60 mm to 80 mm

For round profiles

LARQ3030 U2L Adjustable from 30 mm to 50 mm

LARQ4040 U2L Adjustable from 40 mm to 60 mm

LARQ6060 U2L Adjustable from 60 mm to 80 mm

For flat profiles

LAPQ1010 U2L Adjustable from 10 mm to 30 mm

Recommended handles



3006M
P. 164



3006I
P. 165



3006D
P. 165



KIDLOC
P. 161

Easy exit handles & Accessories



PUSHBAR-L
P. 163



3006PUSH
P. 162



ROLLTOP
P. 157



DRILL-FIX
P. 151





Surface mounted gate lock for Swiss profile cylinder

LAKQ U3 (Patented)

High grade gate lock with aluminium housing and stainless steel mechanism. This lock is delivered without a cylinder and is suitable for use with a Ø22 mm cylinder (Swiss profile cylinder). The 20 mm continuous adjustability of the bolts allows a perfect latching / locking of the mechanism. A solid stainless steel deadbolt with a 23 mm throw guarantees a secure locking. Standard supplied with anodised aluminium handle pair. For a fast and highly precise installation, we recommend using the Drill-Fix drilling jig.

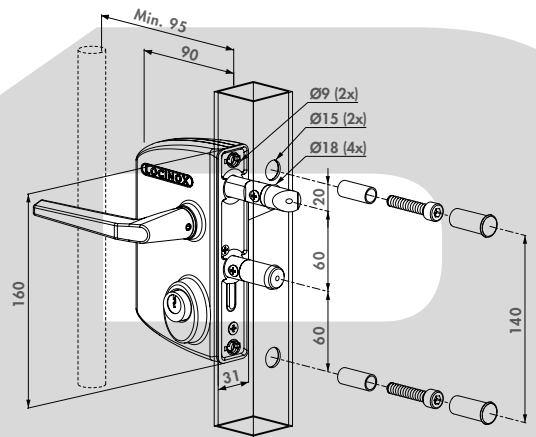


Lockbox color options

ZILV 6005 6009 7016 9005 9010

Specifications

- ✓ ISO 9227 KTL / E-coated lock box withstands 1000 hours of salt spray test
- ✓ Easy left or right changing of the self-latching daybolt
- ✓ Lockbox for Swiss profile cylinder (Ø22 mm)
- ✓ 23 mm throw of the dead bolt, in 1 turn of the key
- ✓ Key-operated self-latching bolt
- ✓ 4-hole fixing with two hexagon socket head screws
- ✓ 60 mm center distance of the bolts
- ✓ Continuous adjustment of the daybolt up to 20 mm without dismantling the lock box
- ✓ Stainless steel mechanism



Recommended keeps



SHKL QF
P. 95



SAKL QF
P. 95



MODULEC-SA
P. 29

Order codes

For square profiles

LAKQ3030 U3L Adjustable from 30 mm to 50 mm

LAKQ4040 U3L Adjustable from 40 mm to 60 mm

LAKQ6060 U3L Adjustable from 60 mm to 80 mm

For round profiles

LARQ3030 U3L Adjustable from 30 mm to 50 mm

LARQ4040 U3L Adjustable from 40 mm to 60 mm

LARQ6060 U3L Adjustable from 60 mm to 80 mm

For flat profiles

LAPQ1010 U3L Adjustable from 10 mm to 30 mm



Recommended handles



3006M
P. 164



3006I
P. 165



3006D
P. 165



3006R
P. 166

Easy exit handles & Accessories



PUSHBAR-L
P. 163



3006PUSH
P. 162



ROLLTOP
P. 157



DRILL-FIX
P. 151



NEW Surface mounted US Mortise cylinder gate lock (USA)

LUKY J5 (Patent pending)

Excellent gate lock with aluminum housing and stainless steel mechanism. Developed specifically to use with a standard 1-1/8" mortise cylinder. Comes standard with 5pin keyed alike or keyed different (drilled ópin). The latch and dead bolt have 3/8" continuous adjustment to allow perfect alignment of the locking mechanism. A stainless steel throw of 7/8" guarantees secure locking. For a fast and highly precise installation, we recommend using the Drill-Fix drilling jig.

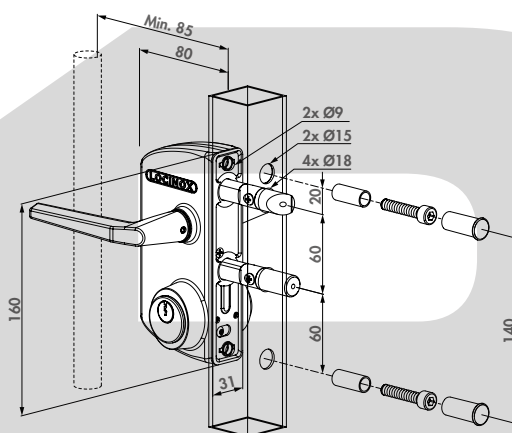


Lockbox color options

ZILV 9005

Specifications

- ✓ ISO 9227 KTL / E-coated lock box withstands 1000 hours of salt spray test
- ✓ Lock for 1-1/8" length Mortise profile cylinder (Schlage Keyway & Adams Rite Cam)
- ✓ Fixing cylinder inch thread 8/32"
- ✓ Easy left or right changing of the self-latching daybolt
- ✓ 23 mm throw of the dead bolt, in 1 turn of the key
- ✓ Key-operated self-latching bolt
- ✓ Continuous adjustment of 10 mm for the bolts without removing the lock
- ✓ 4-hole fixing with two hexagon socket head screws
- ✓ Interchangeable with all Locinox locks
- ✓ 80 mm lock box width



Recommended keeps



SHKL QF
P. 95



SAKL QF
P. 95



MODULEC-SA
P. 29

Order code

For square profiles

LUKY3030 J5L Adjustable from 30 mm to 40 mm

LUKY4040 J5L Adjustable from 40 mm to 50 mm

LUKY5050 J5L Adjustable from 50 mm to 60 mm

LUKY6060 J5L Adjustable from 60 mm to 70 mm

For flat profiles

LUPY1010 J5L Adjustable from 10 mm to 20 mm

LUPY2020 J5L Adjustable from 20 mm to 30 mm



Recommended handles



3006M
P. 164



3006FA
P. 165

Accessories



ROLLTOP
P. 157



LOCITOOL LA
P. 157



MRT-118
P. 176



DRILL-FIX
P. 151



Locks for
swing gates

KOVOVA



Surface mounted anti-panic gate lock

LPKQ U2

Stainless steel superior anti-panic lock with aluminium housing. Escape or exit from inside is possible at all times by operating the handle. Mechanical access from the outside is always possible by operating the cylinder. This lock is compatible with an optional PUSH-handle or PUSHBAR. The 20 mm continuous adjustability of the bolts allows a perfect latching / locking of the mechanism. A solid stainless steel deadbolt with a 23 mm throw guarantees a secure locking. Standard supplied with anodised aluminium (half) handle. For a fast and highly precise installation, we recommend using the Drill-Fix drilling jig.

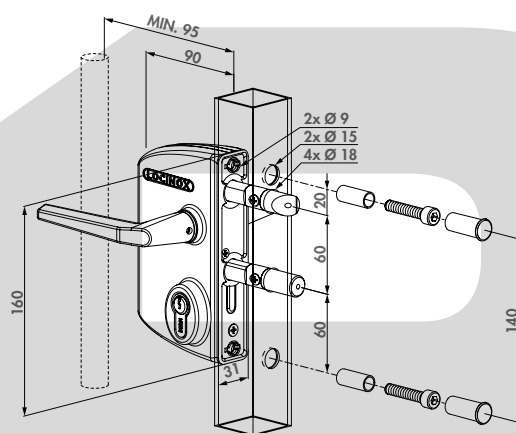


Lockbox color options

ZILV 6005 6009 9005 7016 9010

Specifications

- ✓ ISO 9227 KTL / E-coated lock box withstands 1000 hours of salt spray test
- ✓ Easy left or right changing of the self-latching daybolt
- ✓ 23 mm throw of the dead bolt, in 1 turn of the key
- ✓ Key-operated self-latching bolt
- ✓ 4-hole fixing with two hexagon socket head screws
- ✓ 60 mm center distance of the bolts
- ✓ Continuous adjustment of the daybolt up to 20 mm without dismounting the lock box
- ✓ Stainless steel mechanism
- ✓ Tested up to 500.000 movements
- ✓ Can be applied to gates complying with EN179



Locks for swing gates

Recommended keeps



SAKL QF
P. 95



SHKL QF
P. 95



MODULEC-SA
P. 29

Order codes

For square profiles

LPKQ4040 U2L Adjustable from 40 mm to 60 mm

LPKQ6060 U2L Adjustable from 60 mm to 80 mm

LPKQ8080 U2L Adjustable from 80 mm to 100 mm

LPKQ100100 U2L Adjustable from 100 mm to 120 mm



Recommended handles



PUSHBAR-L
P. 163



3006PUSH
P. 162

Accessories



ROLLTOP
P. 157



3970LA
P. 150



LOCITOOL LA
P. 157



DRILL-FIX
P. 151

i Sets

Locinox supports you in your logistic process. Select and compose your own gate hardware set and avoid stock ruptures or false deliveries of gate components to your customers. The set components are all together and, above all, packed in a robust and weatherproof box. If you wish, your logo can be put on the box for a maximal support of your brand. We will be glad to add your manuals or any other information according to your needs.



100% modular



Time saving



No research work

Garden gate - box set



1 gate wing - foil set



2 gate wings - foil set





Surface mounted double cylinder gate lock for swing gates

LDKZ D1

High-quality swing gate lock with aluminium housing and stainless steel mechanism with 2 cylinders. You only need to use 1 of the cylinders in order to open or to close the lock. This lock is ideal to provide entry to third parties like firemen or waste collectors. The double locking of the solid stainless steel night bolt also ensures a secure closing. For a fast and highly precise installation, we recommend using the Drill-Fix drilling jig.

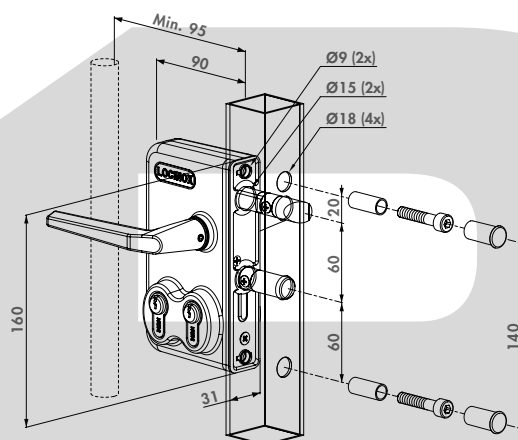


Lockbox color options

ZILV 6005 7016 9005

Specifications

- ✓ ISO 9227 KTL / E-coated lock box withstands 1000 hours of salt spray test
- ✓ For gate profiles from 10 to 100 mm
- ✓ Stainless steel mechanism
- ✓ Non-adjustable day and night bolt
- ✓ Easy left or right changing of the self-latching daybolt
- ✓ Double throw of the night bolt 23 mm
- ✓ Key-operated self-latching bolt
- ✓ 4-hole fixing with two hexagon socket head screws
- ✓ Interchangeable with all Locinox locks



Locks for swing gates

Recommended keeps



SAKL QF
P. 95



SHKL QF
P. 95



MODULEC-SA
P. 29

Order codes

For square profiles

| | |
|-----------------------|------------------------|
| LDKZ3030 D1L | For profiles of 30 mm |
| LDKZ4040 D1L | For profiles of 40 mm |
| LDKZ5050 D1L | For profiles of 50 mm |
| LDKZ6060 D1L | For profiles of 60 mm |
| LDKZ8080 D1L | For profiles of 80 mm |
| LDKZ100100 D1L | For profiles of 100 mm |

For round profiles

| | |
|---------------------|-----------------------|
| LDRZ3030 D1L | For profiles of 30 mm |
| LDRZ4040 D1L | For profiles of 40 mm |
| LDRZ5050 D1L | For profiles of 50 mm |
| LDRZ6060 D1L | For profiles of 60 mm |

For flat profiles

| | |
|---------------------|-----------------------|
| LDPZ1010 D1L | For profiles of 10 mm |
| LDPZ2323 D1L | For profiles of 23 mm |



Cylinders and accessories



3012-POC-
P. 173



3071-
P. 176



DRILL-FIX
P. 151



3970LA
P. 150



VINCI - Surface mounted mechanical code lock

LMKQ V2 (Patented)

High quality mechanical code lock with aluminium housing and stainless steel mechanism. The Vinci requires no batteries nor electricity, which makes it very easy to equip any gate with access control. The 20 mm continuous adjustability of the bolts allows a perfect latching / locking of the mechanism. A solid stainless steel deadbolt with a 23 mm throw guarantees a secure locking. For a fast and highly precise installation, we recommend using the Drill-Fix drilling jig.

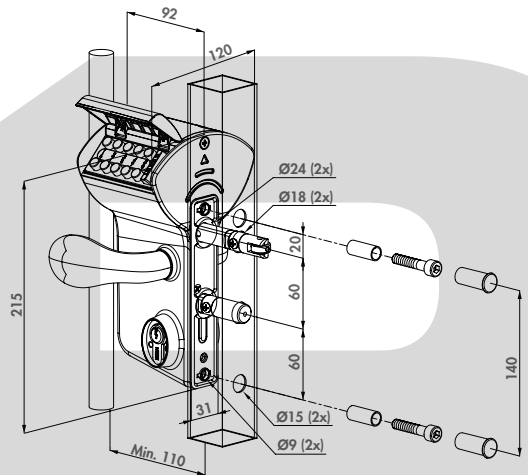


Lockbox color options

ZILV 6005 6009 9005 7016 9010

Specifications

- ✓ ISO 9227 KTL / E-coated lock box withstands 1000 hours of salt spray test
- ✓ Mechanical code panel on both sides
- ✓ Possibility to work with different entrance and exit codes
- ✓ Polyamide rain and dust cover
- ✓ Easy and fast set-up or modification of the access codes
- ✓ With adjustable rollerbolt for easy closing
- ✓ Extremely strong and user-friendly mechanism
- ✓ Automatic code reset after pushing the handle
- ✓ Anti-code detection with integrated security press plate
- ✓ Interchangeable with all Locinox locks



Recommended keeps



SAKL QF
P. 95

SHKL QF
P. 95

Order codes

For square profiles

LMKQ3030 V2L Adjustable from 30 mm to 50 mm

LMKQ4040 V2L Adjustable from 40 mm to 60 mm

LMKQ6060 V2L Adjustable from 60 mm to 80 mm

For round profiles

LMRQ3030 V2L Adjustable from 30 mm to 50 mm

LMRQ4040 V2L Adjustable from 40 mm to 60 mm

LMRQ6060 V2L Adjustable from 60 mm to 80 mm

For flat profiles

LMPQ1010 V2L Adjustable from 10 mm to 30 mm



Recommended handles



3006C
P. 164



3006I
P. 165



3006D
P. 165

Compatible with every gate closer



SAMSON-2
P. 17



VERTICLOSE-2
P. 21



MAMMOTH-180
P. 15



TIGER
P. 14



FREE VINCI - Surface mounted mechanical code lock with secured entrance and free exit

LFKQ X1 (Patented)

Superb mechanical code lock with aluminium housing and stainless steel mechanism. The Free Vinci offers you the possibility to secure one side with a code for entrance while leaving the other side free for exit. No batteries nor electricity are required, which makes it very easy to equip any gate with access control. The 20 mm continuous adjustability of the bolt allows a perfect latching / locking of the mechanism. For ornamental and chain link gates. For a fast and highly precise installation, we recommend using the Drill-Fix drilling jig.

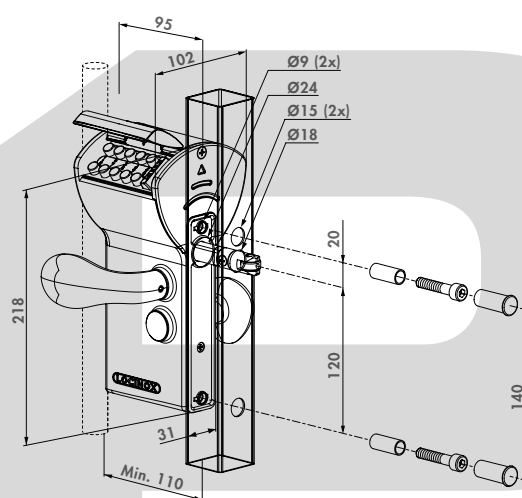


Lockbox color options

ZILV 6005 9005

Specifications

- ✓ ISO 9227 KTL / E-coated lock box withstands 1000 hours of salt spray test
- ✓ Entrance secured by code, free exit
- ✓ Code panel with stainless steel push buttons on one side
- ✓ Polyamide rain and dust cover
- ✓ Easy and fast set-up or modification of the access codes
- ✓ With adjustable rollerbolt for easy closing
- ✓ Extremely strong and user-friendly mechanism
- ✓ Automatic code reset after pushing the handle
- ✓ Anti-code detection with integrated security press plate
- ✓ Interchangeable with all Locinox locks



Locks for swing gates

Recommended keeps



SAKL QF
P. 95



SHKL QF
P. 95

Order codes

For square profiles

LFKQ3030 X1L Adjustable from 30 mm to 50 mm

LFKQ4040 X1L Adjustable from 40 mm to 60 mm

LFKQ6060 X1L Adjustable from 60 mm to 80 mm

For round profiles

LFRQ3030 X1L Adjustable from 30 mm to 50 mm

LFRQ4040 X1L Adjustable from 40 mm to 60 mm

LFRQ6060 X1L Adjustable from 60 mm to 80 mm

For flat profiles

LFPQ1010 X1L Adjustable from 10 mm to 30 mm



Compatible easy exit handles



PUSHBAR-L
P. 163



3006PUSH
P. 162



Surface mounted electric gate lock with Fail Open functionality

LEKQ U4 (Patented)

High quality electrical lock with aluminium housing and stainless steel mechanism. The handles are blocked when the lock is powered. The 20 mm continuous adjustability of the bolts allows a perfect latching / locking of the mechanism. A solid stainless steel deadbolt with a 23 mm throw guarantees a secure locking. For a fast and highly precise installation, we recommend using the Drill-Fix drilling jig.

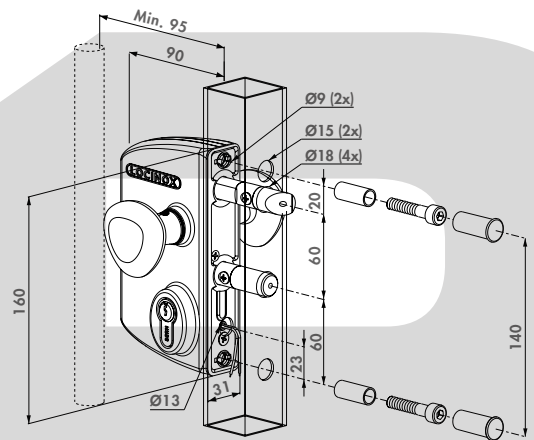


Lockbox color options

ZILV 6005 6009 7016 9005 9010

Specifications

- ✓ ISO 9227 KTL / E-coated lock box withstands 1000 hours of salt spray test
- ✓ Fail Open: Lock is open when power is interrupted
- ✓ Blocking or releasing of the handles
- ✓ Easy left or right changing of the self-latching daybolt
- ✓ 23 mm throw of the dead bolt, in 1 turn of the key
- ✓ Key-operated self-latching bolt
- ✓ Continuous adjustment of the daybolt up to 20 mm without dismantling the lock box
- ✓ 4-hole fixing with two hexagon socket head screws
- ✓ Interchangeable with all Locinox locks
- ✓ Voltage: 12V AC/DC
- ✓ Current: 0,3A



Recommended keeps



SAKL QF
P. 95

SHKL QF
P. 95

Order codes

For square profiles

LEKQ3030 U4L Adjustable from 30 mm to 50 mm

LEKQ4040 U4L Adjustable from 40 mm to 60 mm

LEKQ6060 U4L Adjustable from 60 mm to 80 mm

For round profiles:

LERQ3030 U4L Adjustable from 30 mm to 50 mm

LERQ4040 U4L Adjustable from 40 mm to 60 mm

LERQ6060 U4L Adjustable from 60 mm to 80 mm



Recommended handles & Cable guiding



3006R
P. 166



3006C
P. 164



DVK-HD
P. 45



DVK
P. 44

Recommended power supplies



DC-ACCESS-12V-20W
P. 46



AC-TRANS-12V-25W
P. 45



DC-POWER-12V-20W
P. 46



Surface mounted electric gate lock with Fail Close functionality

LIKQ U2 (Patented)

Electric gate lock made of excellent quality with aluminium housing and stainless steel mechanism. This gate lock blocks the handles when there is no power (Fail Close). The 20 mm continuous adjustability of the bolts allows a perfect latching / locking of the mechanism. A solid stainless steel deadbolt with 23 mm throw guarantees a secure closure. For a fast and highly precise installation, we recommend using the Drill-Fix drilling jig.

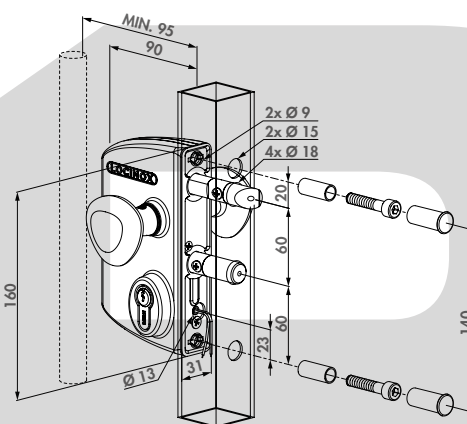


Lockbox color options

ZILV 6005 6009 7016 9005 9010

Specifications

- ✓ ISO 9227 KTL / E-coated lock box withstands 1000 hours of salt spray test
- ✓ Fail Close: Lock is closed when power is interrupted
- ✓ Blocking or releasing of the handles
- ✓ Easy left or right changing
- ✓ 23 mm throw of the dead bolt, in 1 turn of the key
- ✓ Key-operated self-latching bolt
- ✓ Continuous adjustment of the daybolt up to 20 mm without dismounting the lock box
- ✓ 4-hole fixing with two hexagon socket head screws
- ✓ Interchangeable with all Locinox locks
- ✓ Voltage: 12V AC/DC
- ✓ Current: 0,3A



Recommended keeps



SAKL QF
P. 95



SHKL QF
P. 95

Order codes

For square profiles

LIKQ3030 U2L Adjustable from 30 mm to 50 mm

LIKQ4040 U2L Adjustable from 40 mm to 60 mm

LIKQ6060 U2L Adjustable from 60 mm to 80 mm

For round profiles

LIRQ3030 U2L Adjustable from 30 mm to 50 mm

LIRQ4040 U2L Adjustable from 40 mm to 60 mm

LIRQ6060 U2L Adjustable from 60 mm to 80 mm



Recommended handles & Cable guiding



3006R
P. 166



3006C
P. 164



DVK-HD
P. 45



DVK
P. 44

Recommended power supplies



DC-ACCESS-12V-20W
P. 46



AC-TRANS-12V-25W
P. 45



DC-POWER-12V-20W
P. 46



Small surface mounted ornamental gate lock

LAKY F2 (Patented)

Quality ornamental lock with aluminium housing and stainless steel mechanism. We advise this lock as a standard for all your ornamental gates. The 10 mm continuous adjustability of the bolts allows a perfect latching / locking of the mechanism. A solid stainless steel deadbolt with a 23 mm throw guarantees a secure locking. Standard supplied with zamac ornamental handle pair. For a fast and highly precise installation, we recommend using the Drill-Fix drilling jig.

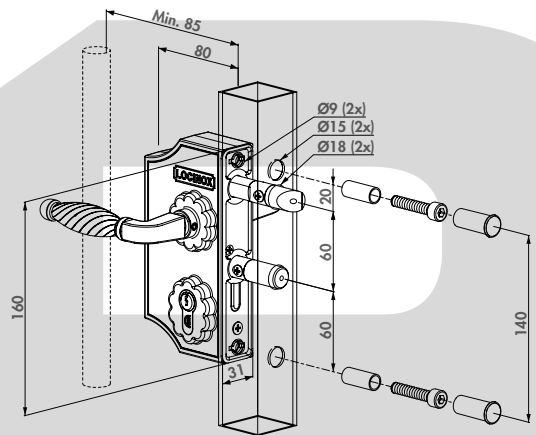


Lockbox color options

ZILV 6005 6009 7016 9005 9010

Specifications

- ✓ ISO 9227 KTL / E-coated lock box withstands 1000 hours of salt spray test
- ✓ Easy left or right changing of the self-latching daybolt
- ✓ 23 mm throw of the dead bolt, in 1 turn of the key
- ✓ Continuous adjustment of 10 mm for the bolts without removing the lock
- ✓ Key-operated self-latching bolt
- ✓ 4-hole fixing with two hexagon socket head screws
- ✓ 60 mm center distance of the bolts



Recommended keeps



SPKZ QF
P. 97



SPKZ-TK
P. 97



MODULEC-SA
P. 29

Order codes

For square profiles

LAKY3030 F2L Adjustable from 30 mm to 40 mm

LAKY4040 F2L Adjustable from 40 mm to 50 mm

LAKY5050 F2L Adjustable from 50 mm to 60 mm

For round profiles

LARY3030 F2L Adjustable from 30 mm to 40 mm

LARY4040 F2L Adjustable from 40 mm to 50 mm

LARY5050 F2L Adjustable from 50 mm to 60 mm

For flat profiles

LAPY1010 F2L Adjustable from 10 mm to 20 mm



Compatible handles



3006FA
P. 165



3006I
P. 165



KIDLOC
P. 161

Ornamental hinges



G-ORNA-LR
P. 122



G-ORNA-WP
P. 122



GDP
P. 125



GP-U-BASE
P. 125



Large surface mounted ornamental gate lock

LAKQ H2 (Patented)

Excellent ornamental lock with aluminium housing and stainless steel mechanism. We advise this lock as a standard for all your ornamental gates. The 20 mm continuous adjustability of the bolts allows a perfect alignment of your locking mechanism. A solid stainless steel deadbolt with a 23 mm throw guarantees a secure locking. Standard supplied with zamac ornamental handle pair. For a fast and highly precise installation, we recommend using the Drill-Fix drilling calibre.

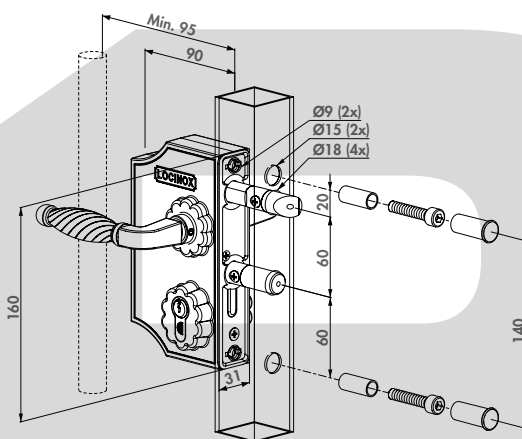


Lockbox color options

6005 6009 9005 9010 ZILV 7016

Specifications

- ✓ ISO 9227 KTL / E-coated lock box withstands 1000 hours of salt spray test
- ✓ Easy left or right changing of the self-latching daybolt
- ✓ 23 mm throw of the dead bolt, in 1 turn of the key
- ✓ Continuous adjustment of the daybolt up to 20 mm without dismounting the lock box
- ✓ Key-operated self-latching bolt
- ✓ 4-hole fixing with two hexagon socket head screws
- ✓ 60 mm center distance of the bolts



Recommended keeps



SPKZ QF
P. 97



SPKZ-TK
P. 97



MODULEC-SA
P. 29

Order codes

For square profiles

LAKQ3030 H2L Adjustable from 30 mm to 50 mm

LAKQ4040 H2L Adjustable from 40 mm to 60 mm

LAKQ6060 H2L Adjustable from 60 mm to 80 mm

For round profiles

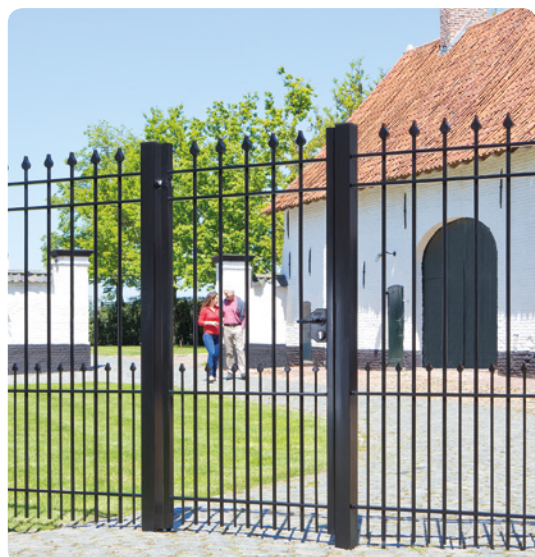
LARQ3030 H2L Adjustable from 30 mm to 50 mm

LARQ4040 H2L Adjustable from 40 mm to 60 mm

LARQ6060 H2L Adjustable from 60 mm to 80 mm

For flat profiles

LAPQ1010 H2L Adjustable from 10 mm to 30 mm



Compatible handles



3006FA
P. 165



3006D
P. 165



KIDLOC
P. 161

Ornamental hinges



G-ORNA-LR
P. 122



G-ORNA-WP
P. 122



1005WPF
P. 124



Surface mounted garden gate lock

LAKZ P1

Economical garden/pedestrian gate lock with polyamide housing and stainless steel mechanism. This lock is advised as a standard for all your small gates. A solid stainless steel deadbolt with a 23 mm throw guarantees a secure locking. For a fast and highly precise installation, we recommend using the Drill-Fix drilling calibre.

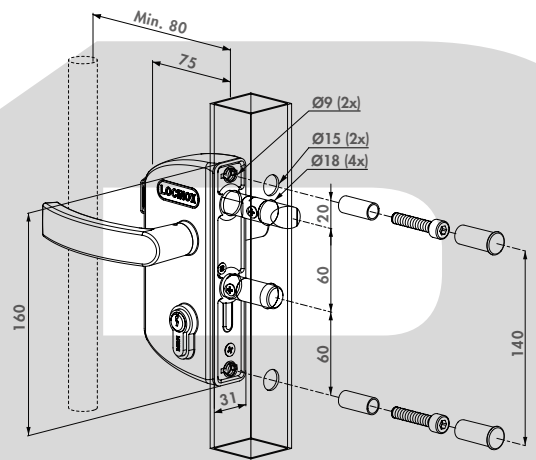


Lockbox color options

6005 **6009** **7016** **7040** **9005** **9010**

Specifications

- ✓ Easy left or right changing of the self-latching daybolt
- ✓ 23 mm throw of the dead bolt, in 1 turn of the key
- ✓ 4-hole fixing with two hexagon socket head screws
- ✓ Polyamide lock box and handles
- ✓ 60 mm center distance of the bolts
- ✓ For 40 mm gate profiles only
- ✓ Interchangeable with all Locinox locks
- ✓ No key operation of the daybolt



Recommended keeps



SMKL QF
P. 96



SKRZ
P. 96



SAKL QF
P. 95

Order codes

For square profiles

LAKZ4040 P1L For profiles of 40 mm

For round profiles

LARZ4040 P1L For profiles of 40 mm



Recommended handles



3006P
P. 166



3006G
P. 165



KIDLOC
P. 161

Accessories



3006PC
P. 94



ROLLTOP
P. 157



3970LA
P. 150



DRILL-FIX
P. 151



Surface mounted child safety lock

LAKZ P1 WSI (Patented)

Child safety gate lock with stainless steel mechanism and polyamide housing. This lock is conform to the swimming pool safety standard NF P90-306. The child safety lock prevents little children from accessing the pool. The unique rollerbolt facilitates the closing of the gate. For a fast and highly precise installation, we recommend using the Drill-Fix drilling jig.

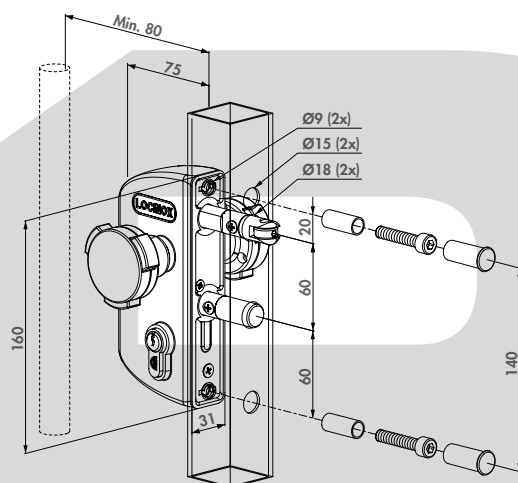


Lockbox color options

6005 6009 7016 7040 9005 9010

Specifications

- ✓ Stainless steel lock mechanism
- ✓ Polyamide lock box
- ✓ With adjustable rollerbolt for easy closing
- ✓ With Kidloc: child safety handle for swimming pools
- ✓ A complete package including a high-quality stainless steel lock in combination with a security knob and a stainless steel rollerbolt conforms to swimming pool standard NF P90-306



Child safety locks

Recommended keeps



SMKL QF
P. 96

SKRZ
P. 96

Order codes

LAKZ4i4i P1L WSI For profiles of 40 mm
LAKZ5i5i P1L WSI For profiles of 50 mm

KOVVO POLOTOVARY.CZ



Recommended gate closers



TIGER
P. 14

MAMMOTH-180
P. 15

LION
P. 18

SWING40
P. 130

Accessories



KIDLOC
P. 161

ROLLTOP
P. 157

3970LA
P. 150

DRILL-FIX
P. 151



Swimming pool gate lock

TWIST40 (Patented)

High quality swimming pool gate lock with stainless steel mechanism and black PA and powder coated aluminium housing. This lock is conform to the swimming pool safety standard NF P90-306. The Twist has a two-handling operation which prevents the access to the pool for little children. The unique rollerbolt facilitates the closing of the gate.

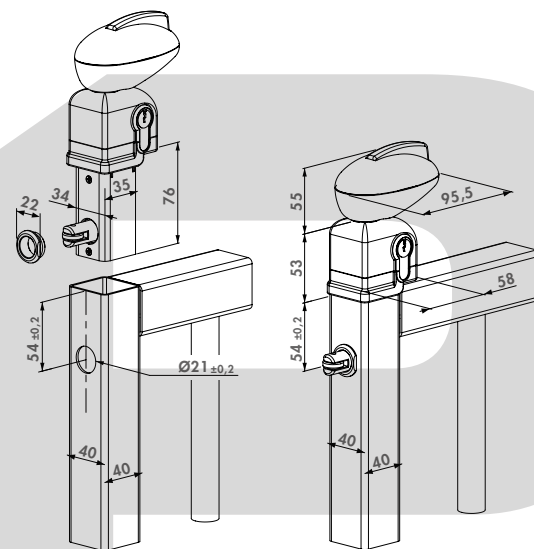


Lockbox color options

ZILV 6005 6009 9005 9010

Specifications

- ✓ Stainless steel lock mechanism
- ✓ Stainless steel rollerbolt facilitating the closing of the gate
- ✓ We strongly advise you to read the swimming pool safety standard NF P90-306 before manufacturing any swimming pool gate
- ✓ For 40 mm gate profiles only



Recommended keeps



STK QF
P. 99



STR60 QF
P. 99

Order code

TWIST40 For profiles of 40 mm



Recommended gate closers



MAMMOTH-180
P. 15



TIGER
P. 14



VERTICLOSE-2-
P. 21



SWING40
P. 130

Cylinder & Compatible hinges



3012-46-STD
P. 174



GBM 12
P. 131



GBM12-DP
P. 131



GBM 16-DP
P. 132

KOVY POLOTOVARY.CZ



Child safety locks

KOVOPOL TOVARY.CZ



LEONARDO

Mechanical code lock for sliding gates

LLKZ V2 (Patented)

Mechanical code lock for sliding gates with aluminium housing and stainless steel mechanism. Since no electricity nor batteries are required, the mechanical code lock gives you the opportunity to equip any sliding gate fast and easily with access control. The unique Twistfinger and conforming auto-correcting keep guarantees a perfect closing of your sliding gate.

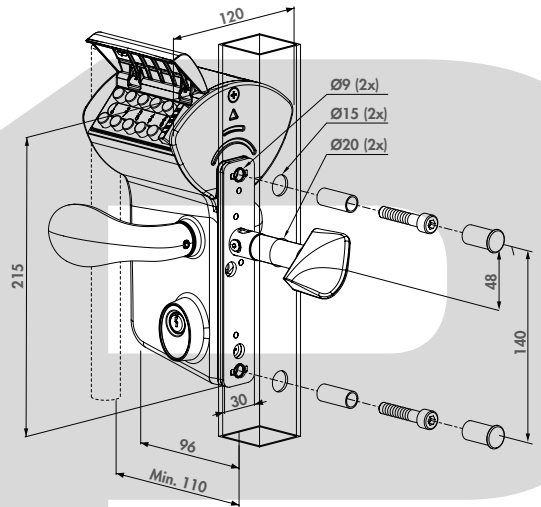


Lockbox color options

ZILV 6005 6009 7016 9005 9010

Specifications

- ✓ 100% mechanical: no battery nor electricity required
- ✓ Adjustable for horizontal or vertical mounting of the keep (catch bolt)
- ✓ Mechanical code panel on both sides
- ✓ Possibility to work with different entrance and exit codes
- ✓ Equipped with dust and rain covers
- ✓ Easy and fast set-up or modification of the access codes
- ✓ Possibility of setting up 4 to 6 digit codes
- ✓ Extremely strong and user-friendly mechanism
- ✓ Automatic code reset after pushing the handle
- ✓ Anti-code detection with integrated security press plate
- ✓ Stainless steel collar around the Twistfinger prevents cutting through the twistfinger (catchbolt)



Recommended keep and adapter case



SSKZ QF
P. 98



O-SET
P. 98

Order codes

For square profiles

| | |
|----------------|------------------------|
| LLKZ4040 V2L | For profiles of 40 mm |
| LLKZ5050 V2L | For profiles of 50 mm |
| LLKZ6060 V2L | For profiles of 60 mm |
| LLKZ8080 V2L | For profiles of 80 mm |
| LLKZ100100 V2L | For profiles of 100 mm |
| LLKZ120120 V2L | For profiles of 120 mm |

For round profiles

| | |
|----------------|------------------------|
| LLRZ4040 V2L | For profiles of 40 mm |
| LLRZ5050 V2L | For profiles of 50 mm |
| LLRZ6060 V2L | For profiles of 60 mm |
| LLRZ8080 V2L | For profiles of 80 mm |
| LLRZ100100 V2L | For profiles of 100 mm |
| LLRZ120120 V2L | For profiles of 120 mm |



Recommended accessories



3970LS
P. 150



DRILLØ15
P. 150



LOCITOOL LA
P. 157



Locks for
sliding gates

Z



Surface mounted sliding gate lock

LSKZ U2 (Patented)

First-grade lock for manual sliding gates with aluminium housing and stainless steel mechanism. The unique Twistfinger and conforming auto-correcting keep guarantees a perfect closing of your sliding gate. For a fast and highly precise installation, we recommend using the Drill-Fix drilling jig.

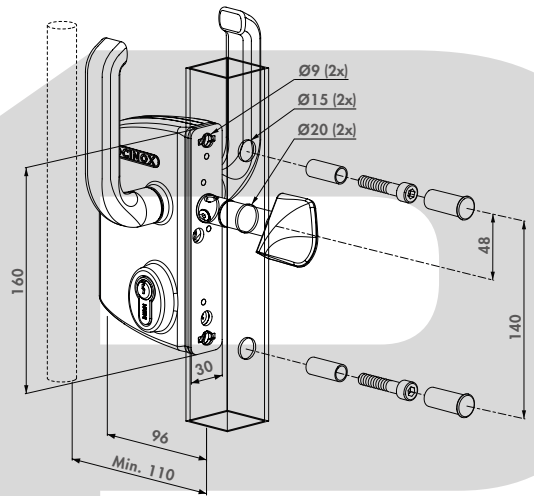


Lockbox color options

ZILV 6005 6009 7016 9005 9010

Specifications

- ✓ ISO 9227 KTL / E-coated lock box withstands 1000 hours of salt spray test
- ✓ Mechanism and Twistfinger in stainless steel
- ✓ Adjustable for horizontal or vertical mounting of the keep (catch bolt)
- ✓ Fixing with 2 hexagon socket head screws
- ✓ Innovative closing system
- ✓ Stainless steel collar around the Twistfinger prevents cutting through the twistfinger (catchbolt)
- ✓ Standard with reinforced aluminium handle pair
- ✓ 3006S: Square 10 mm follower



Recommended keep and adapter case



SSKZ QF
P. 98



O-SET
P. 98

Order codes

For square profiles

| | |
|-----------------------|------------------------|
| LSKZ4040 U2L | For profiles of 40 mm |
| LSKZ5050 U2L | For profiles of 50 mm |
| LSKZ6060 U2L | For profiles of 60 mm |
| LSKZ8080 U2L | For profiles of 80 mm |
| LSKZ100100 U2L | For profiles of 100 mm |
| LSKZ120120 U2L | For profiles of 120 mm |

For round profiles

| | |
|-----------------------|------------------------|
| LSRZ4040 U2L | For profiles of 40 mm |
| LSRZ6060 U2L | For profiles of 60 mm |
| LSRZ8080 U2L | For profiles of 80 mm |
| LSRZ100100 U2L | For profiles of 100 mm |
| LSRZ120120 U2L | For profiles of 120 mm |



Recommended handle & accessories



3006S
P. 164



3970LS
P. 150



DRILLØ15
P. 150



LOCITOOL LA
P. 157



Double Cylinder Lock

LGKZ D1

Industrial sliding gate lock with aluminium housing and stainless steel mechanism with 2 cylinders. You only need to use 1 of the cylinders in order to open or to close the lock. This is the perfect lock to provide entry to third parties like firemen or waste collectors.

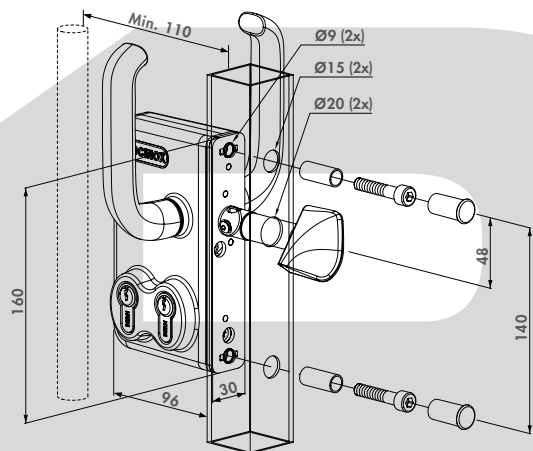


Lockbox color options

ZILV 6005 7016 9005

Specifications

- ✓ ISO 9227 KTL / E-coated lock box withstands 1000 hours of salt spray test
- ✓ For gate profiles from 40 to 120 mm depth
- ✓ Mechanism and Twisfinger in stainless steel
- ✓ Adjustable for horizontal or vertical mounting of the keep (catch bolt)
- ✓ Innovative closing system
- ✓ Stainless steel collar around the Twisfinger prevents cutting through the twisfinger (catchbolt)
- ✓ 3-hole fixing with two hexagon socket head screws
- ✓ Exchangeable with Locinox LS-Locks
- ✓ Standard with reinforced aluminium handle pair



Recommended keeps



SSKZ QF
P. 98



O-SET
P. 98

Order codes

For square profiles

| | |
|-----------------------|------------------------|
| LGKZ4040 D1L | For profiles of 40 mm |
| LGKZ5050 D1L | For profiles of 50 mm |
| LGKZ6060 D1L | For profiles of 60 mm |
| LGKZ8080 D1L | For profiles of 80 mm |
| LGKZ100100 D1L | For profiles of 100 mm |
| LGKZ120120 D1L | For profiles of 120 mm |

For round profiles

| | |
|-----------------------|------------------------|
| LGRZ4040 D1L | For profiles of 40 mm |
| LGRZ5050 D1L | For profiles of 50 mm |
| LGRZ6060 D1L | For profiles of 60 mm |
| LGRZ8080 D1L | For profiles of 80 mm |
| LGRZ100100 D1L | For profiles of 100 mm |
| LGRZ120120 D1L | For profiles of 120 mm |



Cylinders and accessories



3012-POC-
P. 173



3071-
P. 176



3006S
P. 164



DRILL-FIX
P. 151



Insert lock with 20 mm backset for profiles of 40 mm or more

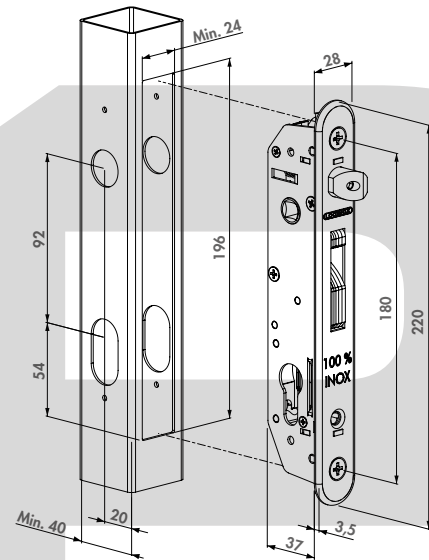
FORTYLOCK (Patented)

Insert lock with 100% stainless steel mechanism. The stainless steel adjustable self-latching bolt and hook combined with the right keep guarantee a strong and solid closed gate where the gate wings can not be pulled apart or forced open. The lock can be installed on metal, aluminium and PVC gates. Thanks to the patented "Click-It" system, installing the lock can be done in a matter of seconds.



Specifications

- ✓ Lock mechanism with cover plate against dirt penetration
- ✓ Patented "Click-It" system makes thread tapping unnecessary
- ✓ Continuous adjustment of the daybolt up to 10 mm without dismantling the lockbox
- ✓ Key-operated self-latching bolt
- ✓ Mechanism, hook, frontplate, latchbolt: stainless steel
- ✓ Easy left or right changing of the self-latching daybolt
- ✓ Throw of the hook: 21 mm
- ✓ Center-distance cylinder <=> handles = 92 mm
- ✓ Optional: Cover shield for handle & cylinder holes in aluminium, polyamide or stainless steel
- ✓ Handles to be ordered separately
- ✓ Compatible with all Europrofile cylinders



Recommended keeps



SFKP
P. 105



SFKI
P. 104



SFKM
P. 105

Order code

Insert lock
FORTYLOCK For profiles of 40 mm

Fortysets

- | | |
|-------------------------|---|
| FORTYSET-40I-GP- | FORTYLOCK + SFKI + 3020-HYB-STD + 3006G + 3012-54-STD-VSZ |
| FORTYSET-40I-MA- | FORTYLOCK + SFKI + 3020-HYB-ALU + 3006M-H + 3012-54-STD-VSZ |
| FORTYSET-40P-GP- | FORTYLOCK + SFKI + 3020-HYB-STD + 3006G + 3012-54-STD-VSZ |



Optional cover shields



3020-HYB-A2
P. 86



3020-HYB-ALU
P. 86



3020-HYB-STD
P. 86

Recommended handles



3006G
P. 165



3006D
P. 165



3006J-H
P. 164



3006I-H
P. 165



Insert lock with 30 mm backset for profiles of 50 mm or more

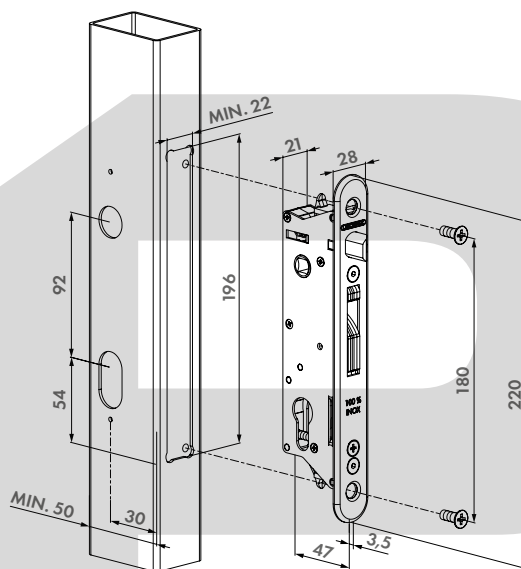
FIFTYLOCK (Patented)

Prime insert lock with 100% stainless steel mechanism. The stainless steel adjustable self-latching bolt and hook combined with the correct keep guarantee a strong and solid closed gate where the gate wings can not be pulled apart or forced open. The lock can be installed on metal, aluminium and PVC gates. Thanks to the patented "Click-It" system the lock is mounted in seconds.



Specifications

- ✓ Stainless steel lock mechanism with cover plate against dirt penetration
- ✓ Mechanism, hook, frontplate, latchbolt: stainless steel
- ✓ Backset 30 mm, for mounting in profiles of 50 mm depth or more
- ✓ Continuous adjustment of the daybolt up to 10 mm without dismantling the lockbox
- ✓ Key-operated self-latching bolt
- ✓ Easy left or right changing of the self-latching daybolt
- ✓ Throw of the hook: 21 mm
- ✓ Center-distance cylinder \leftrightarrow handles = 92 mm
- ✓ Compatible with all Europrofile cylinders
- ✓ Handles to be ordered separately
- ✓ Optional: Cover shield for handle & cylinder holes in aluminium, polyamide or stainless steel



Insert locks

Recommended keeps



SFKB
P. 104



SFKI
P. 104



SFKM
P. 105

Order code

FIFTYLOCK Insert lock with 30 mm backset for profiles of 50 mm or more

KOVOPROLOTOVARY.CZ



Optional cover shields



3020-HYB-A2
P. 86



3020-HYB-ALU
P. 86



3020-HYB-STD
P. 86

Recommended handles



3006G
P. 165



3006D
P. 165



3006J-H
P. 164



3006I-H
P. 165



Insert lock with 40 mm backset for profiles of 60 mm or more

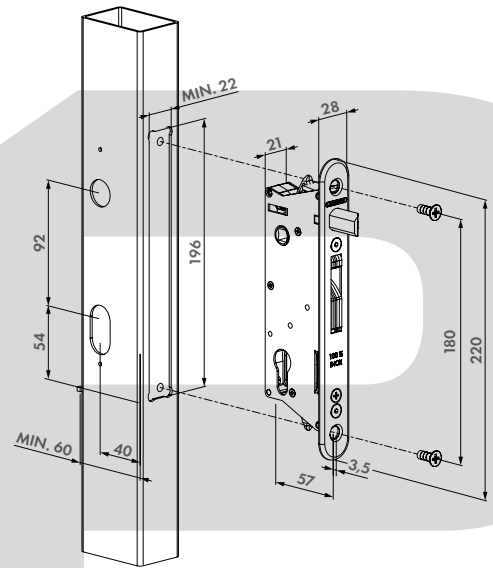
SIXTYLOCK (Patented)

Prime insert lock with 100% stainless steel mechanism. The stainless steel, adjustable self-latching bolt and hook combined with the right keep guarantee a strong and solid closed gate where the gate wings can not be pulled apart or forced open. The lock can be installed on metal, aluminium and PVC gates. Thanks to the patented "Click-It" system the lock is mounted in seconds.



Specifications

- ✓ Stainless steel lock mechanism with cover plate against dirt penetration
- ✓ Mechanism, hook, frontplate, latchbolt: stainless steel
- ✓ Backset 40 mm, for mounting in profiles of 60 mm of depth or more
- ✓ Continuous adjustment of the daybolt up to 10 mm without dismantling the lockbox
- ✓ Key-operated self-latching bolt
- ✓ Easy left or right changing of the self-latching daybolt
- ✓ Throw of the hook: 21 mm
- ✓ Center-distance cylinder \Leftrightarrow handles = 92 mm
- ✓ Compatible with Europrofile cylinder
- ✓ Handles to be ordered separately
- ✓ Optional: Cover shield for handle & cylinder holes in aluminium, polyamide or stainless steel



Recommended keeps



SFKB
P. 104



SFKI
P. 104



SFKM
P. 105

Order code

SIXTYLOCK Insert lock with 40 mm backset for profiles of 60 mm or more



Optional cover shields



3020-HYB-A2
P. 86



3020-HYB-ALU
P. 86



3020-HYB-STD
P. 86

Recommended handles



3006G
P. 165



3006D
P. 165



3006I-H
P. 165



3006J-H
P. 164



Insert lock with 35 mm backset

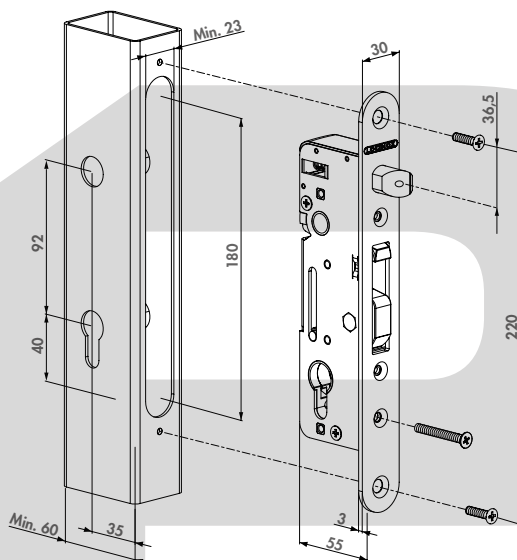
H-METAL (Patented)

Insert lock made of high quality with 100% stainless steel mechanism. The massive stainless steel hook and adjustable latch bolt makes this a one of a kind lock. The combination of the hook (dead bolt) with the corresponding keep provides a secure anchoring of your gate. These locks can be used on metal or aluminium gates or with our fully prepared steel profiles.



Specifications

- ✓ Easy left or right changing of the self-latching daybolt
- ✓ Key-operated self-latching bolt
- ✓ Adjustment of the latch bolt up to 20 mm continuous without dismantling the lock
- ✓ Mechanism, hook, frontplate, latchbolt: stainless steel
- ✓ Handles and cylinder to be ordered separately
- ✓ Throw of the hook: 33 mm
- ✓ Center-distance cylinder \leftrightarrow handles = 92 mm
- ✓ Hook in combination with the Locinox keep provides a secure anchoring
- ✓ With coverplate for lockmechanism against dirt penetration
- ✓ Compatible with Europrofile cylinder
- ✓ Cover shield for handle & cylinder holes to be ordered separately



Insert locks

Recommended keeps



SHKM
P. 101



HWKB
P. 102



SEH
P. 28

Order codes

Insert lock

H-METAL For profiles with a min. depth of 60 mm

Hybrid kits: Insert lock + accessories

| | |
|--------------------------|---|
| H-METAL-SET-54-M- | H-METAL + 3020-HYB-STD (2x) + 3006M-H + SHKM-ALUM + 3012-54-STD-VSZ |
| H-METAL-SET-54-I- | H-METAL + 3020-HYB-A2 (2x) + 3006I-H + SHKM-ALUM + 3012-54-STD-VSZ |
| H-METAL-SET-80-M- | H-METAL + 3020-HYB-STD (2x) + 3006M-H + SHKM-ALUM + 3012-80-STD-VSZ |
| H-METAL-SET-80-I- | H-METAL + 3020-HYB-A2 (2x) + 3006I-H + SHKM-ALUM + 3012-80-STD-VSZ |



Cover shields and accessories



3020-HYB-A2
P. 86



3020-HYB-ALU
P. 86



3020-HYB-STD
P. 86



HLT
P. 85

Recommended handles



3006I-H
P. 165



3006M-H
P. 164



3006J-H
P. 164



Insert lock for welding box

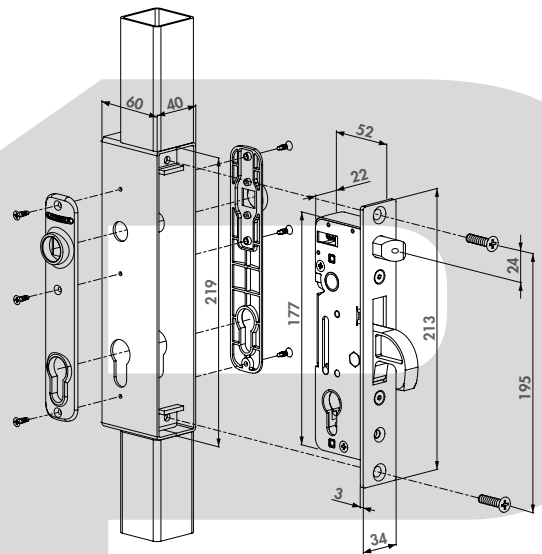
H-METAL-WB (Patented)

Outstanding insert lock with 100% stainless steel mechanism. The massive stainless steel hook and adjustable self-latching bolt make this a one of a kind lock. The combination of the hook (dead bolt) with the corresponding keep provides a secure anchoring of your gate. These locks can be used on metal gates with our welding boxes.



Specifications

- ✓ Insert lock with a backset of 35 mm
- ✓ Easy left or right changing of the self-latching daybolt
- ✓ Key-operated self-latching bolt
- ✓ Adjustment of the latch bolt up to 20 mm continuous without dismantling the lock
- ✓ Mechanism, hook, frontplate, latchbolt: stainless steel
- ✓ Throw of the hook: 33 mm
- ✓ Center-distance cylinder <=> handles = 92 mm
- ✓ Hook in combination with the Locinox keep provides a secure anchoring
- ✓ With coverplate for lockmechanism against dirt penetration
- ✓ Compatible with Europrofile cylinder
- ✓ Handles and cylinder to be ordered separately
- ✓ Cover shield for handle & cylinder holes to be ordered separately



Recommended keeps



SHKM
P. 101



HWKB
P. 102



SEH
P. 28

Order code

H-METAL-WB For hybrid welding lock box - HWLB



Cover shields and accessories



3020-HYB-A2
P. 86



3020-HYB-ALU
P. 86



3020-HYB-STD
P. 86



HWLB
P. 85

Recommended handles



3006I-H
P. 165



3006M-H
P. 164



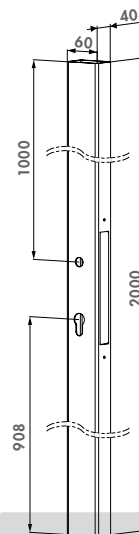
3006J-H
P. 164



Welding profile for H-METAL insert lock

HLT

Fully prepared steel profile for Hybrid lock.



Specifications

- ✔ Welding profile for H-METAL
- ✔ Length: 2000 mm
- ✔ Fully prepared to facilitate the preparation of your gates

Order code

HLT Black steel welding profile 2000 mm for H-METAL insert lock

Compatible lock and accessories



H-METAL
P. 83

3020-HYB-A2
P. 86

3020-HYB-ALU
P. 86

3020-HYB-STD
P. 86

Insert locks



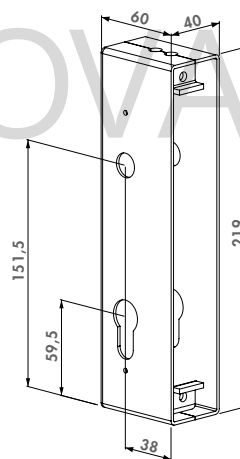
Welding box for H-METAL-WB

HWLB

Metal welding box for Hybrid lock.

Specifications

- ✔ Size: 60 x 40 x 219 mm (2 mm thickness)
- ✔ Black steel for welding



Compatible lock and accessories



H-METAL-WB
P. 84

3020-HYB-A2
P. 86

3020-HYB-ALU
P. 86

3020-HYB-STD
P. 86

Order code

HWLB Black steel welding lock box for H-METAL-WB locks



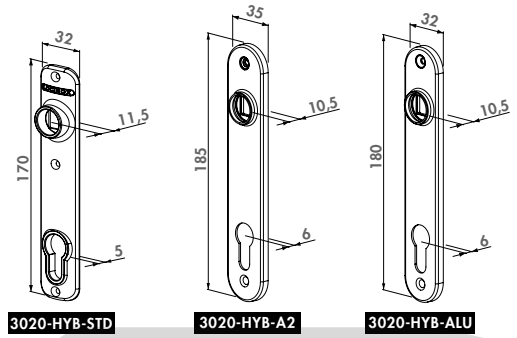
Cover shield for insert locks

3020-HYB

Cover shield for handle & cylinder holes of Locinox insert locks. Available in aluminium, stainless steel or polyamide for an aesthetic finish. Screws included.

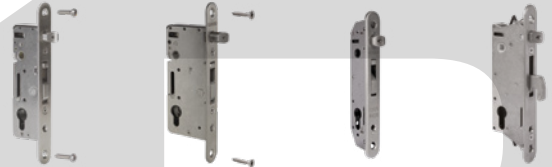
Specifications

- ✓ Cover shield for handle & cylinder holes
- ✓ Standardised gate pattern: compatible with HLT welding profile and HWLB for Hybrid locks
- ✓ Available in polyamide, aluminium and stainless steel



Insert locks

Compatible locks



H-METAL
P. 83

H-WOOD
P. 89

FORTYLOCK
P. 80

SIXTYLOCK
P. 82

Order codes

- 3020-HYB-A2** Stainless steel cover shields for insert locks
- 3020-HYB-ALU** Aluminium cover shields for insert locks
- 3020-HYB-STD** Polyamide cover shields for insert locks





Handleless stainless steel insert lock with hook

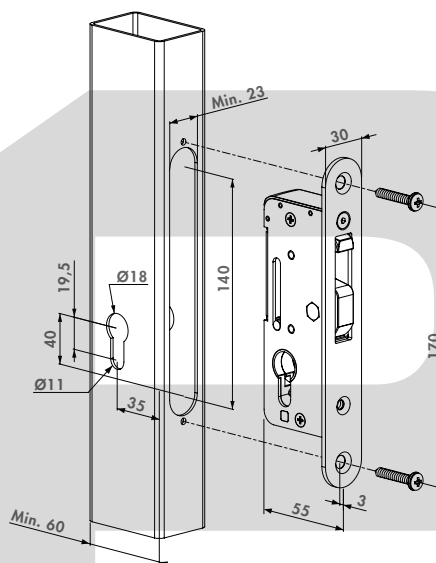
H-COMPACT (Patented)

Quality 100% stainless steel insert lock with hook for a mechanical closure of (automated) sliding gates. The absence of handles prevents people from climbing over the fence with the handle as a step.



Specifications

- ✔ Insert lock with a backset of 35 mm
- ✔ Suitable for swing and sliding gates
- ✔ Mechanism, hook, front plate, chassis and all internal mechanical parts are a 100% stainless steel
- ✔ Throw of the hook: 33 mm
- ✔ Hook in combination with the Locinox keep provides a secure anchoring
- ✔ Without self-latching bolt
- ✔ (Removable) pin prevents lifting the hook from the keep
- ✔ With coverplate for lockmechanism against dirt penetration
- ✔ Compatible with all Europrofile cylinders



Recommended keep



SHKC
P. 103

Order code

H-COMPACT For profiles with a min. depth of 60 mm



i Hardware for wooden gates

Wood is more popular than ever as a construction material in the gate and fence world. Wood lives and therefore it's important to know that **wood swells and shrinks** relative to weather changes. That is why here at Locinox we developed a **range of products for wooden gates** which make sure that your **gate always closes perfectly**, even after 10 years!



100% modular



Time-saving



Left/right reversible

One wing gate:

H-WOOD

100% stainless steel insert lock with a backset of 60 mm. The perfect solution for wooden gates. The adjustable self-latching bolt in combination with the stainless steel hook (dead bolt) provides an extra security.

SHKW

Stainless steel keep for Hybrid insert locks. This unique keep in combination with the Hybrid lock ensures a strong gate anchoring. This configuration is with wood screws for wooden posts.

MAMMOTH-180

An elegant self-closing hinge which opens smoothly and closes consistently gates up to 150 kg and this regardless of the outside temperatures (patented system). Force, closing speed and final snap are all individually adjustable.



- ① SHKW: p. 103
- ② H-WOOD: p. 89
- ③ MAMMOTH-180: p. 15
- ④ DINO: p. 126



- ① 4DW: p. 128
- ② VSF: p. 141
- ③ SHKW: p. 103
- ④ H-WOOD: p. 89

Double wing gate:

4DW

Aesthetic, vandal proof hinge for wooden gates. The stainless steel hinge can be adjusted in 4 dimensions. Height, depth, left/right alignment and rotational direction can be adjusted.

VSF

Standard dropbolt with hot-dip galvanized bolt. The dropbolt is auto-locked between the gate wings.



Stainless steel insert lock for wooden gates

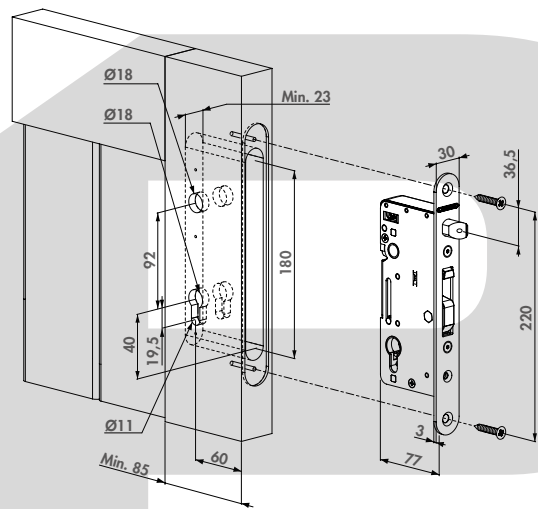
H-WOOD (Patented)

100% stainless steel insert lock with a backset of 60 mm. The perfect solution for wooden gates. The adjustable self-latching bolt in combination with the stainless steel hook (dead bolt) provides an extra security.



Specifications

- ✔ Easy left or right changing of the self-latching daybolt
- ✔ Key-operated self-latching bolt
- ✔ Adjustment of the latch bolt up to 20 mm continuous without dismantling the lock
- ✔ Mechanism, hook, frontplate, latchbolt: stainless steel
- ✔ Stainless steel hook for secure anchoring
- ✔ Throw of the hook: 33 mm
- ✔ Center-distance cylinder \leftrightarrow handles = 92 mm
- ✔ 60 mm backset
- ✔ Lock mechanism with cover plate against dirt penetration
- ✔ Compatible with all Europrofile cylinders
- ✔ Handles and cylinder to be ordered separately
- ✔ Cover shield for handle & cylinder holes to be ordered separately



Insert locks

Recommended keeps



SHKW
P. 103



SEH
P. 28

Order codes

Insert lock

H-WOOD

For profiles with a min. depth of 85 mm

Hybrid kits: Insert lock + accessories

H-WOOD-SET-60-I- H-WOOD + 3020-HYB-A2 (2x) + 3006I-H + SHKW-ALUM + 3012-60-STD-VSZ

H-WOOD-SET-80-I- H-WOOD + 3020-HYB-A2 (2x) + 3006I-H + SHKW-ALUM + 3012-80-STD-VSZ



Optional cover shields



3020-HYB-A2
P. 86



3020-HYB-ALU
P. 86



3020-HYB-STD
P. 86

Recommended hinges and handles



3DW
P. 128



4DW
P. 128



3006I-H
P. 165



3006J-H
P. 164



KOVOPRÁVNÍ TOVÁŘSKÉ

Keeps

No lock without a keep. Locinox provides a wide range of keeps for sliding, swing, garden and child safety gates. An impact test at our facility ensures our keeps to handle every blow they receive and they meet our strict Locinox standard. Mounting is easy, fast and very strong thanks to our patented Quick-Fix system. The stop plates are adjustable and in many cases equipped with a protective rubber strip.



93 Keeps for swing gate locks



96 Keeps for child safety locks



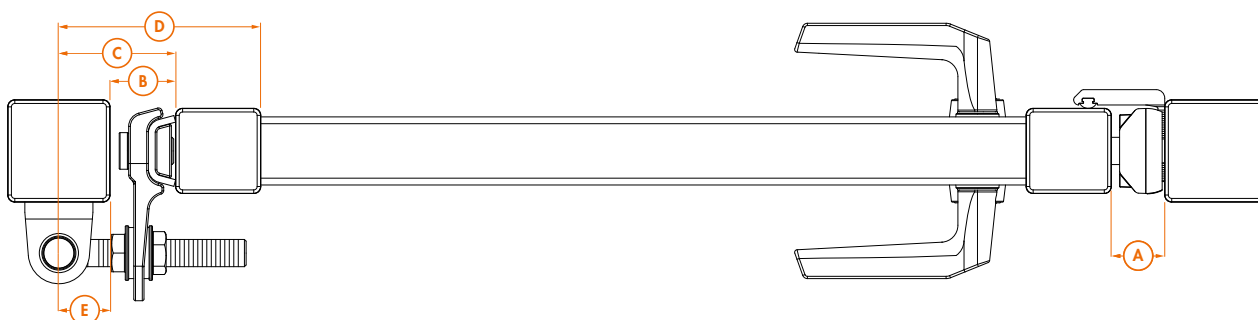
98 Keeps for sliding gate locks

101 Keeps for insert locks

i Minimal distances

Perfect work begins with a perfect preparation!

All Locinox products can be adjusted accurately. We recommend however to consider the mounting depth when planning. Below, you will find a clear overview of the minimum distances between gate and post. This guarantees that all is perfectly aligned.



Keeps

Hinges

| | B MINIMUM | C MAXIMUM | D MAXIMUM | E MINIMUM |
|---------------------|--------------|--------------|--------------|--------------|
| GBMU4D12 | 22 | 80 | - | 20 |
| GBMU4D16 | 35 | 115 | - | 25 |
| GBMU4D20 | 36 | 130 | - | 25 |
| BOLTON4D-12 | 8 | 70 | - | 28 |
| BOLTON4D-16 | 8 | 88 | - | 28 |
| GBMU-X-M12 | 6 | 77 | - | 20 |
| GBMU-X-M16 | 8 | 95 | - | 25 |
| GBMU-X-M18 | 8 | 88 | - | 25 |
| GBMU-X-M20 | 12 | 112 | - | 25 |
| GBMU-X-M22 | 12 | 112 | - | 30 |
| G90Z-X-M16 | 48 | 30 | - | 18 |
| G90Z-X-M20 | 53 | 28 | - | 23 |
| DINO | 13 | 43 | - | 23 |
| PUMA | 10 | 21,5 | - | - |
| BEARING HINGE 40X40 | 25 | 25 | - | 60 |
| BEARING HINGE 50X50 | 20 | 20 | - | 55 |
| 3DM | 16 | 76 | - | 10,5 |
| 4DW | 0 | 25 | - | 21 |
| 3DW | 0 | 25 | - | 10,5 |
| GBM12X130 30X30 | 15 | - | 120 | 20 |
| GBM12X130 40X40 | 10 | - | 120 | 20 |
| GBM12X150 30X30 | 15 | - | 140 | 20 |
| GBM12X150 40X40 | 10 | - | 140 | 20 |
| GBM16X160 40X40 | 17 | - | 148 | 25 |
| GBM16X160 50X50 | 12 | - | 148 | 25 |
| GBM16X180 40X40 | 17 | - | 168 | 25 |
| GBM16X180 50X50 | 12 | - | 168 | 25 |
| GAM12X130 | 46 | - | 120 | 20 |
| GAM12X150 | 46 | - | 140 | 20 |

Keeps

| | A MINIMUM |
|----------|--------------|
| SAKL QF | 30 |
| SHKL QF | 30 |
| SMKL QF | 30 |
| SKRZ | 27 |
| SE & SEH | 26 |
| SPKZ | 8 |
| SSKZ | 21 |
| ST | 27 |

Keeps

| | A MINIMUM |
|------------|--------------|
| MODULEC-SA | 30 |
| MODULEC-SH | 30 |
| SHKM | 15 |
| SHKW | 15 |
| SHKC | 6 |
| SFKI | 13 |
| SFKP | 30 |
| SFKB | 30 |
| SFKM | 13 |

Hinges

| | B MINIMUM | C MAXIMUM | D MAXIMUM | E MINIMUM |
|-----------------|--------------|--------------|--------------|--------------|
| SWING130 | 10 | - | 120 | 20 |
| SWING150 | 10 | - | 140 | 20 |
| G-ORNA-M20 | 35 | 63 | - | 41,5 |
| G-ORNA-M24 | 35 | 70 | - | 44 |
| G-ORNA-M27 | 32,5 | 88 | - | 46,5 |
| G90LR-X-M16-65 | 53 | 60,5 | - | 18 |
| G90LR-X-M16-110 | 53 | 105,5 | - | 18 |
| G90LR-X-M16-150 | 53 | 145,5 | - | 18 |
| G90LR-X-M20-67 | 58 | 60,5 | - | 22 |
| G90LR-X-M20-150 | 58 | 143,5 | - | 22 |
| G90WP-B-M16-65 | 62 | 65 | - | 18 |
| G90WP-B-M16-110 | 62 | 110 | - | 18 |
| G90WP-B-M16-150 | 62 | 150 | - | 18 |
| G90WP-B-M20-67 | 77 | 67 | - | 22 |
| G90WP-B-M20-150 | 77 | 150 | - | 22 |



Surface mounted electric keep

MODULEC-SA (Patent pending)

Easy-to-install electric keep for surface-mounting thanks to the patented Quick-Fix. Easily interchanged with the SA keep. Can be connected to both 12V - 24V and AC/DC.

Modulec-SA is available in two versions:

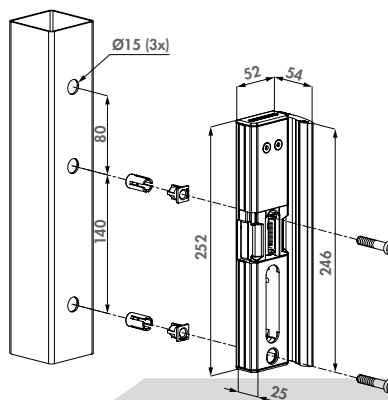
E (Emissa - Fail Close) and R (Ruptura - Fail Open).

Stop plate color options

ALUM 6005 7016 9005

Specifications

- ✓ Tested up to 500.000 movements
- ✓ Fast and easy fixing with Quick-Fix
- ✓ Resistance to pressure on the latch bolt: 300 kg
- ✓ Same drilling pattern as SA, SH and SM keeps
- ✓ Easy left or right changing
- ✓ Corrosion-resistant: black anodised housing
- ✓ Adjustable for gate profiles: 40-60 mm width
- ✓ Voltage: 12V-24V AC/DC
- ✓ Consumption: 12V - 1,25A / 24V - 0,62A
- ✓ Power: 15W



Compatible locks



Order code

MODULEC-SA-E Fail Close for surface mounted gate locks, 12-24V AC/DC
MODULEC-SA-R Fail Open for surface mounted gate locks, 12-24V AC/DC

LAKQ U2
P. 59

LUKY J5
P. 61

LDKZ D1
P. 65

LAKQ H2
P. 71



Surface mounted electric security keep

MODULEC-SH (Patent pending)

Replace your SHKL keep with an electrical surface mounted keep with Fail Close / Fail Open functionality. Easy to install thanks to the patented Quick-Fix. For 12V-24V and AC/DC. Modulec-SH is available in two versions:

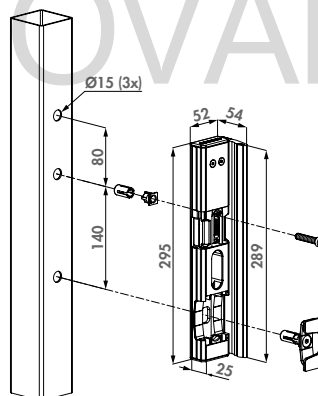
E (Emissa - Fail Close) and R (Ruptura - Fail Open).

Stop plate color options

ALUM 6005 7016 9005

Specifications

- ✓ Tested up to 500.000 movements
- ✓ Resistance to pressure on the latch bolt: 300 kg
- ✓ Easy mounting with Quick-Fix
- ✓ Same drilling pattern as SA, SH and SM keeps
- ✓ Easy left or right changing
- ✓ Corrosion-resistant: black anodised housing
- ✓ Adjustable for gate profiles: 40-60 mm width
- ✓ Voltage: 12V-24V AC/DC
- ✓ Consumption: 12V - 1,25A / 24V - 0,62A
- ✓ Power: 15W



Compatible locks



Order code

MODULEC-SH-E Fail Close for surface mounted gate locks, 12-24V AC/DC
MODULEC-SH-R Fail Open for surface mounted gate locks, 12-24V AC/DC

LAKQ U2
P. 59

LUKY J5
P. 61

LDKZ D1
P. 65

LAKQ H2
P. 71



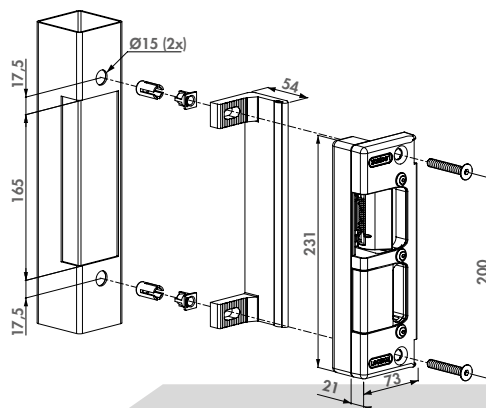
Electric keep for surface mounted locks

SE (Patented)

Electric strike for swing gates. The strike is equipped with a blocking system that withstands 500 kg pulling force. The deadbolt receiver has been reinforced with stainless steel. This innovation makes the strike even more robust. This keep is extremely strong and the ideal solution for all your access control. SE is available in two versions: E (Emissa - Fail Close) and R (Ruptura - Fail Open).

Specifications

- ✔ Type SE.E: Emissa - Fail Close
- ✔ Type SE.R: Ruptura - Fail Open
- ✔ Nightbolt receiver reinforced and out of stainless steel
- ✔ For post profiles of 50 mm and more
- ✔ Voltage: 12V AC/DC
- ✔ Current Emissa: 1A
- ✔ Current Ruptura: 1,5A
- ✔ Water resistant & weatherproof
- ✔ Pressure resistance on self-latching bolt: 500 kg



Order codes

SE-E Electric strike, Emissa, Fail Close

SE-R Electric strike, Ruptura, Fail Open

Compatible locks



LAKQ U2
P. 59

LUKY J5
P. 61

LDKZ D1
P. 65

LAKQ H2
P. 71



Pull Counter Box

3006PC

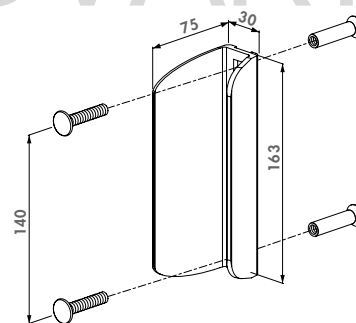
Aesthetic solution in aluminium for the construction of symmetric double swing gates in combination with the Locinox keep. When used with the Locinox 4D-hinges, you can simplify your production of double gates to one single identical gate wing which can be used either on the left or right side. The pull counter box fills up the symmetric lock opening in the other gate wing.

Color options

6005 **6009** **9005** **9010** **7016** **ZILV**

Specifications

- ✔ Folded pull counter box with same shape as the industrial lock
- ✔ To use in combination with the SA or the SH keep with the special through and through fixing



Compatible locks



LAKZ P1
P. 72

LAKZ P1 WSI
P. 73

LAKQ U2
P. 59

Order code

3006PC Folded counter box in aluminium with through and through fixing



Adjustable keep out of stainless steel

SAKL QF (Patented)

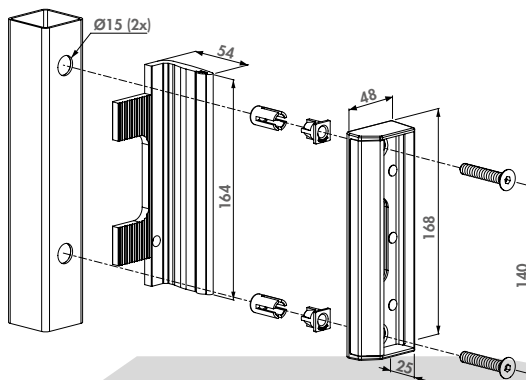
Stainless steel keep with polyamide finishing used as standard for all your gates (garden, ornamental, industrial,...). The unique Quick-Fix ensures a fast and strong mounting. The adjustable, aluminium stop plate with rubber accepts different gate profiles from 40 to 60 mm width. Redesigned to make the strike accept the latchbolt easier.

Stop plate color options

ALUM 6005 6009 9005 9010 7016

Specifications

- ✓ Stainless steel bolt receiver
- ✓ Extruded stop plate in aluminium with rubber strip
- ✓ Easy left or right changing
- ✓ Innovative Quick-Fix mounting
- ✓ Adjustable for gate profiles: 40-60 mm width
- ✓ For rectangular and round profiles



Compatible locks



LAKQ U2
P. 59

LMKQ V2
P. 66

LFKQ X1
P. 67

LAKZ P1
P. 72

Order codes

SAKL QF Industrial keep for square profiles

SARL QF Industrial keep for round profiles



Adjustable security keep out of stainless steel

SHKL QF (Patented)

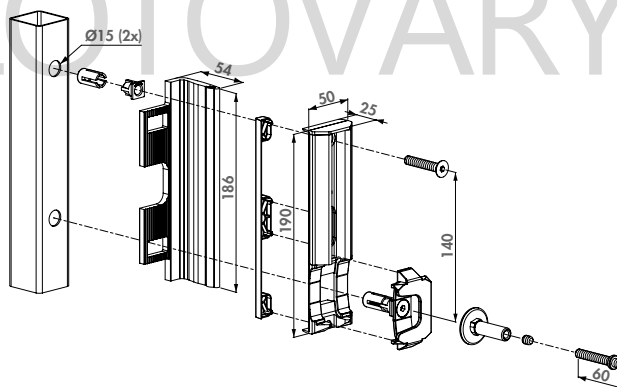
Stainless steel keep with polyamide finishing for all your metal, aluminium and PVC gates. The patented stainless steel anchoring system prevents pulling the gates out of the keep. The unique Quick-Fix ensures a fast and strong mounting. The adjustable, aluminium stop plate with rubber accepts different gate profiles of 40 - 60 or 60 - 80 mm width. Redesigned to make the strike accept the latchbolt easier.

Stop plate color options

ALUM 6005 6009 9005 9010 7016

Specifications

- ✓ Reinforced stainless steel security keep for round and square profiles
- ✓ Stainless steel anchoring system included
- ✓ Stainless steel adjustable slam plate with shock rubber
- ✓ Easy left or right changing
- ✓ Innovative Quick-Fix mounting
- ✓ Prevents opening the gate with a crowbar
- ✓ For rectangular and round profiles
- ✓ Adjustable for gate profiles: 40-60 mm and 60-80 mm



Compatible locks



LAKQ U2
P. 59

LMKQ V2
P. 66

LDKZ D1
P. 65

LEKQ U4
P. 68

Order codes

SHKL QF Industrial security keep for square profiles

SHRL QF Industrial security keep for round profiles



Polyamide garden gate keep for rectangular profiles

SMKL QF

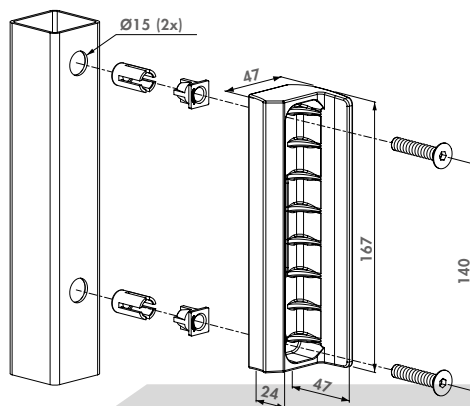
Polyamide keep for garden gates. The Quick-Fix fixing ensures a fast and strong mounting on rectangular posts. For gate profiles of 40 mm width.

Color options

6005 6009 9005 9010 7040 7016

Specifications

- ✔ Keep in polyamide for square profiles
- ✔ Easy left or right changing
- ✔ Innovative Quick-Fix mounting
- ✔ For profiles as of 40 mm or more



Compatible locks



LAKZ P1
P. 72

LAKZ P1 WSI
P. 73

Order code

SMKL QF Polyamide garden gate keep for square profiles



Polyamide garden gate keep for round profiles

SKRZ

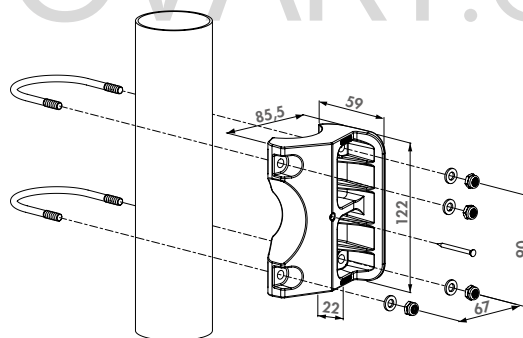
Polyamide keep garden gates. The brace fixing ensures a fast and strong mounting on round tubes. For gate profile 40 mm and post profile 60 mm.

Color options

6005 6009 9005 7040

Specifications

- ✔ Keep in polyamide for round profiles
- ✔ Easy left or right changing
- ✔ Only for round posts Ø60 mm
- ✔ For gate profiles of 40 mm width



Compatible locks



LAKZ P1
P. 72

LAKZ P1 WSI
P. 73

Order code

SKRZ Polyamide garden gate keep for round profiles



Ornamental keep

SPKZ QF

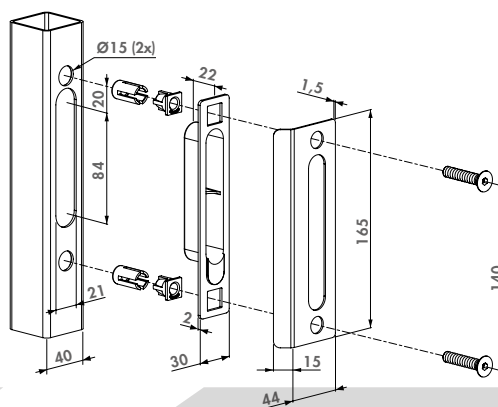
Flat keep with polyamide box to integrate into the post. This set allows you to adjust your (ornamental) gates with a minimal gap.

Color options

9005 ALUM

Specifications

- ✔ Insert keep for square profiles of 40 mm
- ✔ Innovative Quick-Fix mounting



Compatible locks



LAKQ H2
P. 71

LAKY F2
P. 70

LAKQ U2
P. 59

LMKQ V2
P. 66

Order code

SPKZ QF 40 Insert keep for square profiles of 40 mm



Ornamental keep with counter lock box

SPKZ-TK

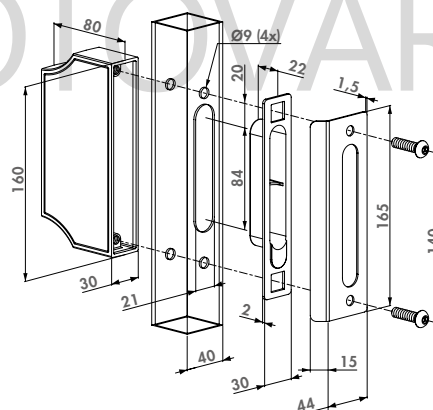
Flat keep with polyamide box to integrate into the post. This set allows you to adjust your double ornamental gates with a minimum gap in between and offers you a nice and aesthetic look.

Color options

9005 ALUM

Specifications

- ✔ Counter lock box with the same shape as the ornamental lock
- ✔ For rectangular profiles of min. 40 mm width
- ✔ Mounting: through the profile into the counter-lockbox



Compatible locks



LAKQ H2
P. 71

LAKY F2
P. 70

Order code

SPKZ TK 40 Insert keep and ornamental counter lock box for square profiles of 40 mm

Sliding gate keep with Quick-Fix

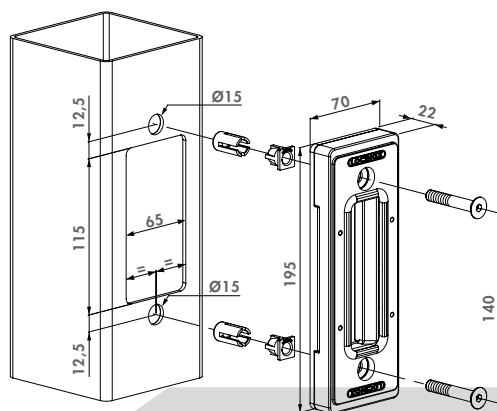
SSKZ QF (Patented)

Stainless steel sliding gate keep for hollow posts. The keep is 9 mm left/right auto-adjustable for an easy and secure anchoring of the gate lock. A rubber stop prevents the gate from being damaged while closing.



Specifications

- ✔ Keep in stainless steel for square profiles
- ✔ Minimum profile size: 80 mm wide
- ✔ Fast and easy fixing with Quick-Fix
- ✔ The keep is 9 mm left/right auto-adjustable for easy and secure anchoring of the Twistfinger
- ✔ The rubber stop prevents damaging the gateframe



Compatible locks



LLKZ V2
P. 76

LSKZ U2
P. 78

LGKZ D1
P. 79

Order code

SSKZ QF Sliding gate keep for square profiles with a min. width of 80 mm

Aluminium adapter case for flat profiles

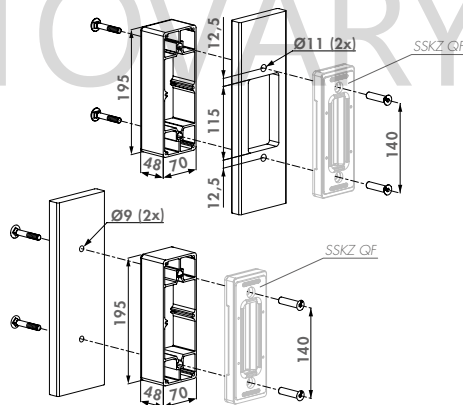
O-SET

Adapter for the SSKZ QF sliding gate keep. Can be used when installing the keep on flat profiles or if you want the keep to be surface installed.



Specifications

- ✔ Aluminium case to use together with sliding gate keep SSKZ QF when installing on a flat profile
- ✔ Protects the Twistfinger when the keep is mounted on a flat profile with a minimum thickness of 5 and a maximum thickness of 20 mm
- ✔ Delivered with through and through fasteners



Recommended keeps



SSKZ QF
P. 98

Order code

O-SET For flat profiles in combination with SSKZ QF keep



Swimming pool keep for square profiles for TWIST40

STK QF (Patented)

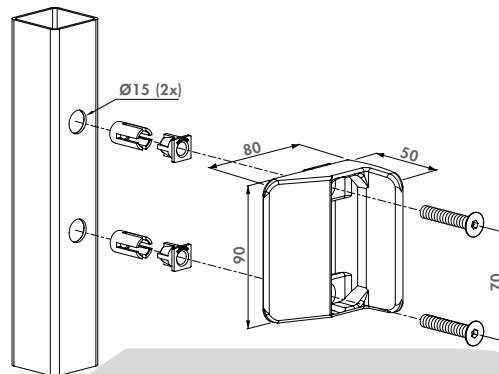
Polyamide keep conform the swimming pool safety standard NF P90-306. Designed to combine with the TWIST40 lock. Fast and strong fixings on square posts: Quick-Fix. For gate profiles of 40 mm width only.

Color options

9005

Specifications

- ✔ Keep in polyamide for square profiles 40 mm or more
- ✔ For 40 mm gate profiles only
- ✔ Only compatible with the swimming pool lock TWIST40
- ✔ Innovative Quick-Fix mounting
- ✔ Conforms to swimming pool standard NF P90-306
- ✔ We strongly advise you to read the swimming pool safety standard NF P90-306 before manufacturing any swimming pool gate



Compatible lock



TWIST40
P. 74

Order code

STK QF For square posts in combination with TWIST40 lock



Swimming pool keep for round profiles for TWIST40

STR60 QF (Patented)

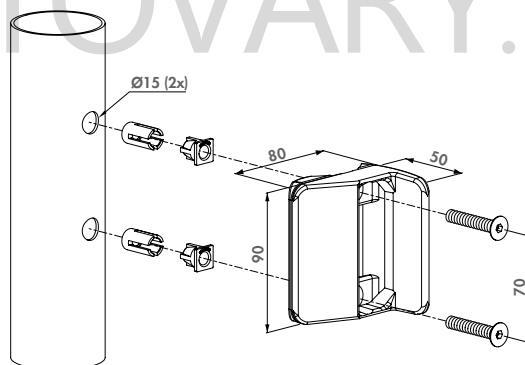
Polyamide keep conform the swimming pool safety standard NF P90-306. Designed to combine with the TWIST40 lock. Fast and strong fixings on round tubes Ø 60 mm: Quick-Fix. For gate profiles of 40 mm only.

Color options

9005

Specifications

- ✔ Keep in polyamide for round profiles Ø60 mm
- ✔ For 40 mm gate profiles only
- ✔ Only compatible with the swimming pool lock TWIST40
- ✔ Innovative Quick-Fix mounting
- ✔ Conforms to swimming pool standard NF P90-306
- ✔ We strongly advise you to read the swimming pool safety standard NF P90-306 before manufacturing any swimming pool gate



Compatible lock



TWIST40
P. 74

Order code

STR60 QF For round posts Ø60 mm in combination with TWIST40 lock

Keeps for
insert locks



KOVOPOLOČNÝ VÁŘY.CZ



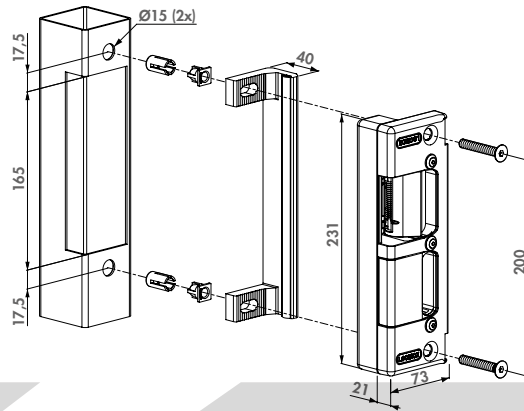
Electric keep for insert locks

SEH (Patented)

Electric strike for H-Metal and H-Wood. The strike is equipped with a blocking system that withstands 500 kg pulling force. This keep is extremely strong and the ideal solution for all your access control. SEH is available in two versions: E (Emissa - Fail Close) and R (Ruptura - Fail Open).

Specifications

- ✔ Type SEH.E: Emissa - Fail Close
- ✔ Type SEH.R: Ruptura - Fail Open
- ✔ Easy left or right changing
- ✔ For post profiles of 50 mm and more
- ✔ Voltage: 12V AC/DC
- ✔ Current Emissa: 1A
- ✔ Current Ruptura: 1,5A
- ✔ Water resistant & weatherproof
- ✔ Pressure resistance on self-latching bolt: 500 kg



Compatible locks



H-METAL
P. 83

H-METAL-WB
P. 84

H-WOOD
P. 89

Order codes

SEH-E Electric strike, Emissa, Fail Close for H-Metal and H-Wood

SEH-R Electric strike, Ruptura, Fail Open for H-Metal and H-Wood



Hybrid keep for insert locks

SHKM (Patented)

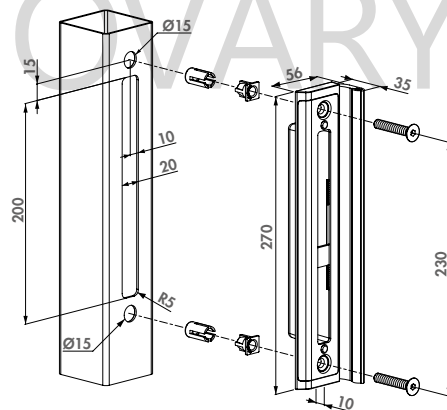
Stainless steel keep for insert locks. This unique keep in combination with the insert lock ensures a strong gate anchoring. This configuration is equipped with Quick-Fix for metal and aluminium posts.

Stop plate color options

9005 **ALUM**

Specifications

- ✔ Adjustable for gate profiles: 40-60 mm width
- ✔ Innovative Quick-Fix mounting
- ✔ Anchoring plate for hook
- ✔ Easy left or right changing



Compatible locks and accessories



H-METAL
P. 83

H-METAL-WB
P. 84

HKT
P. 102

Order code

SHKM For square posts in combination with H-METAL lock

KOLOPOLOTOVARY.CZ



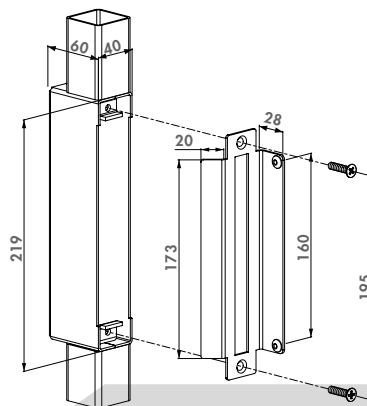
Hybrid welding box and keep for H-METAL

HWKB

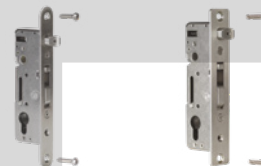
Hybrid keep for insert locks. The welding box in black steel 60x40 mm / 2 mm can be integrated in your post. The frontplate in stainless steel with integrated stop ensures a perfect finish.

Specifications

- ✔ Welding box 60x40/2 mm for hybrid keep in black steel to weld between your posts
- ✔ Frontplate in stainless steel
- ✔ Integrated gate stop with 2 rubber stops
- ✔ For gate profiles of 40 mm width



Compatible locks



H-METAL
P. 83

H-METAL-WB
P. 84

Order code

HWKB Welding box and keep to combine with H-METAL lock

Welding profile for SHKM keep

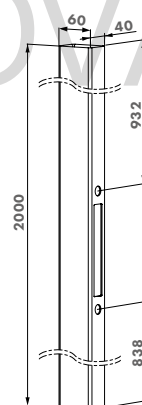
HKT

Fully prepared steel profile for Hybrid SHKM-keep.



Specifications

- ✔ Welding profile for Hybrid keep: SHKM
- ✔ Length: 2000 mm
- ✔ Fully prepared to facilitate the preparation of your gates



Recommended keeps



SHKM
P. 101

Order code

HKT Black steel welding profile 2000 mm for SHKM insert keep



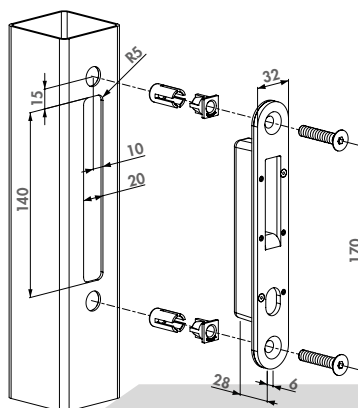
Stainless steel keep for H-COMPACT

SHKC

Stainless steel keep for the H-COMPACT insert lock. The 33 mm throw of the hook and the anti-lift protection provide a secure anchoring.

Specifications

- ✔ Plastic box prevents intrusion of dirt or water in the profile
- ✔ 6 mm thick front plate
- ✔ Can be used for swing and sliding gates
- ✔ Innovative installation with Quick-Fix
- ✔ The keep presents a safe solution and prevents lifting the gate out of the keep.



Compatible lock



H-COMPACT
P. 87

Order code

SHKC For square posts with a min. width of 40 mm in combination with H-COMPACT lock



Hybrid keep wood

SHKW

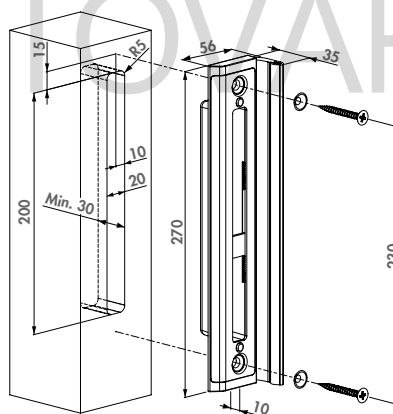
Stainless steel keep for insert locks. This unique keep in combination with the insert lock ensures a strong gate anchoring. This configuration includes wood screws.

Color options

9005 ALUM

Specifications

- ✔ Stainless steel keep for Hybrid locks
- ✔ With mounting screws for wood
- ✔ Supplied with stop plate if integrated stop is not provided
- ✔ For 40-60 mm gate profiles
- ✔ Anchoring plate for hook



Compatible lock



H-WOOD
P. 89



H-METAL
P. 83

Order code

SHKW For wooden posts in combination with H-WOOD lock

KOVOPLOTOVARY.CZ



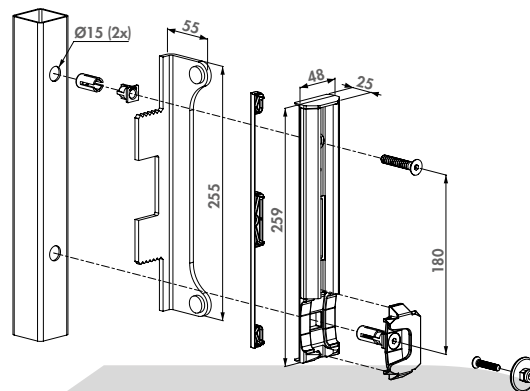
Surface mounted stainless steel keep strike for Fortylock, Fiftylock and Sixtylock

SFKB

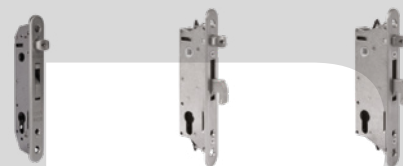
Stainless steel keep with polyamide finishing for all your metal, aluminium and PVC gates. The patented stainless steel anchoring-system prevents pulling the gates out of the keep. The unique Quick-Fix ensures a fast and strong mounting.

Specifications

- ✔ Keep for square profiles
- ✔ Aluminium slam plate with shock rubber
- ✔ Innovative installation with Quick-Fix
- ✔ To combine with Fortylock, Fiftylock and Sixtylock
- ✔ Stainless steel anchoring system included
- ✔ Easy left or right changing
- ✔ Prevents opening the gate with a crowbar
- ✔ Adjustable for gate profiles: 40-60 mm width



Compatible lock



FORTYLOCK P. 80
FIFTYLOCK P. 81
SIXTYLOCK P. 82

Order code

SFKB-QF Adjustable from 40 mm to 60 mm



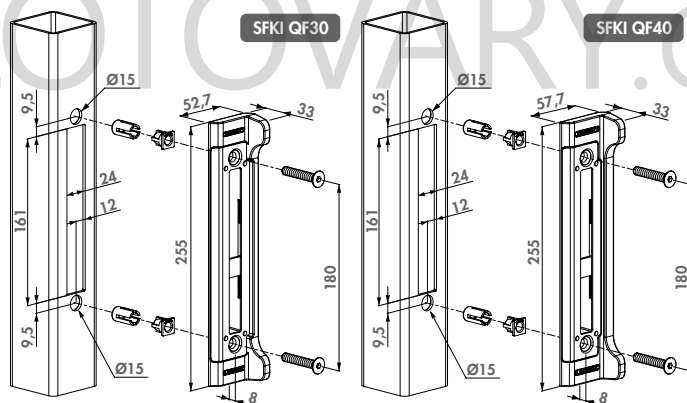
Insert stainless steel keep for Fortylock, Fiftylock and Sixtylock

SFKI

Insert keep for small gates in metal, aluminium and PVC. The keep can be combined with the Fortylock, Fiftylock and Sixtylock. Fast and easy mounting with Quick-Fix. Hook in combination with the keep provides a secure anchoring of gate and post. Available for square posts of 30 or 40 mm depth.

Specifications

- ✔ Keep for square profiles
- ✔ Innovative installation with Quick-Fix
- ✔ Easy left or right changing
- ✔ Insert depth: 15 mm
- ✔ Available for profiles 30 or 40 mm



Compatible locks



FORTYLOCK P. 80
FIFTYLOCK P. 81
SIXTYLOCK P. 82

Order codes

SFKI-QF30 For square gate profiles 30 x 30 mm
SFKI-QF40 For square gate profiles 40 x 40 mm



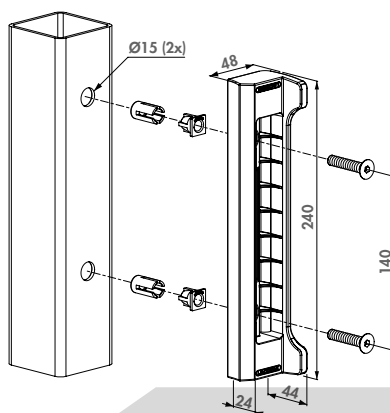
Polyamide keep for Fortylock, Fiftylock and Sixtylock

SFKP

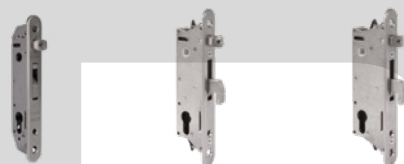
Polyamide keep for garden gates. To combine with Fortylock, Fiftylock and Sixtylock. The Quick-Fix ensures a fast and strong mounting on square posts. For gate profiles of 40 mm.

Specifications

- ✔ Keep for square profiles of 40 mm
- ✔ Standard measure between fixings: 140 mm
- ✔ Innovative installation with Quick-Fix
- ✔ Easy left or right changing



Compatible lock



FORTYLOCK
P. 80

FIFTYLOCK
P. 81

SIXTYLOCK
P. 82

Order code

SFKP-QF40 For square gate profiles 40 x 40 mm



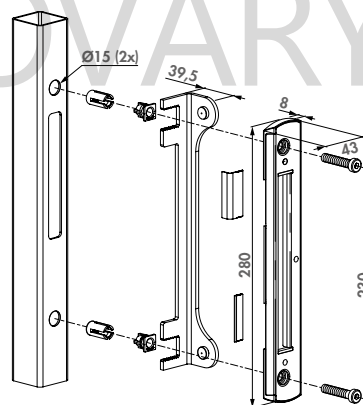
NEW Stainless steel surface mounted keep for Fortylock, Fiftylock and Sixtylock

SFKM

Aesthetical surface mounted keep for small metal, aluminium and PVC gates. Specially designed for Fortylock, Fiftylock and Sixtylock insert locks. The limited 8 mm depth ensures a discreet look. A highly efficient assembly with minimal gate preparations is guaranteed, while the unique Quick-Fix ensures a fast and strong fixation on the gate. This unique keep in combination with the insert lock ensures a strong gate anchoring.

Specifications

- ✔ Stainless steel keep for square profiles as of 40 mm
- ✔ Compatible with Fortylock, Fiftylock and Sixtylock insert locks
- ✔ Extruded stop plate in aluminium with rubber strip for longterm use
- ✔ Including innovative Quick-Fix fixations and self drilling screws
- ✔ Easy left or right changing
- ✔ Elegant design: visible thickness of 8 mm
- ✔ Adjustable stop plate for 40 mm till 60 mm gate frames
- ✔ Adjustable guide to avoid damage of day bolt to post



Compatible locks



FORTYLOCK
P. 80

FIFTYLOCK
P. 81

SIXTYLOCK
P. 82

Order codes

SFKM-QF Stainless steel surface mounted keep for Fortylock, Fiftylock and Sixtylock



Hinges

Hinges support the weight of the gate and ensure it to open & close smoothly. Because of this heavy task, our hinges are hot-dip galvanized or made of stainless steel. Thanks to our wide range we can offer a solution for every situation. Top of the line is the patented 4D hinge. This hinge is adjustable in 4 dimensions (height/depth /alignment/left or right turning).



109 Hinges for industrial and ornamental gates

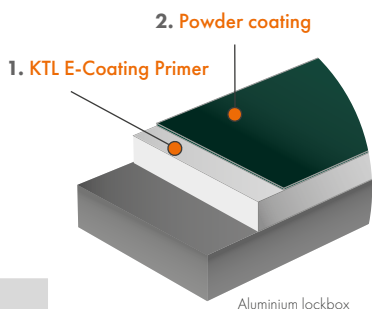


130 Hinges for small gates



i Weatherproof

Materials and surface treatments fit for a long, care-free outdoor use, is a basic requirement for our products. Therefore, Locinox only uses stainless steel and non-ferro metals as raw material. For the surface treatment we choose for hot-dip galvanization or chroming, if possible. Our aluminium lock box are profoundly tested against wear by salt and never fail thanks to the applied multilayer, high performing coatings.



E-COATED ALUMINIUM



POWDER COATING



HOT-DIP GALVANIZATION

Hinges

i Safety

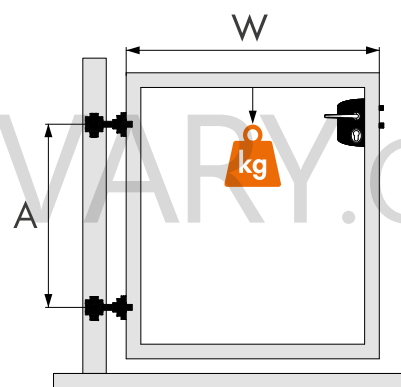
Even though our products meet most important safety standards, a wrongful assembly could result in hazardous situations. Therefore we like to inform you about the parameters to mind during assembly.

CORRECT INFORMATION

A team of engineers and experienced product experts are ready to assist you. Every product is supplied with a clear manual which guides you through the steps for a correct and safe installation. For more complex products, a 3D installation video is available on our website.

MAXIMUM GATE WEIGHT

We always mention the maximum gate weight which is allowed for our hinges. This weight is still under the maximum load. Locinox applies a safety factor 5 which means that they can bear up to 5 times the maximally allowed gate weight without endangering safety. The maximum gate weight and the safety factor are only applicable for gates that comply with the following formula.



SAFETY FACTOR 5

$$\frac{W}{A} \leq 2$$

A = Distance between the hinges
W = Gate width



180° Bolt-on 4D adjustable hinge

BOLTON4D- (Patent pending)

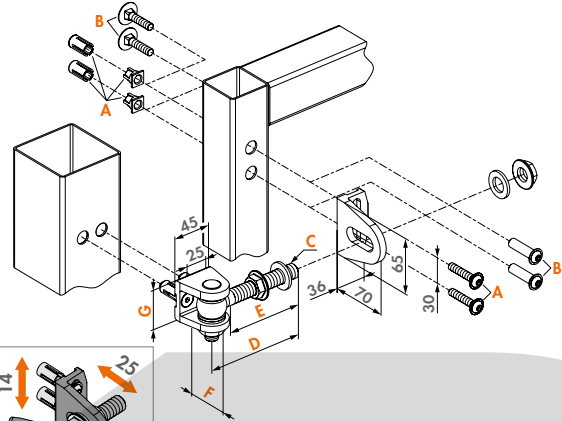
180° hinge that can quickly be mounted without any welding being required. It also offers all advantages of the GBMU4D range: vandal-proof, adjustment of height, depth and distance between gate and post, left/right interchangeable so it can be used for both left and right turning gates. BOLTON4D is available in M12 and M16, and always in 2 versions: one with Quick-Fix on both sides and one with Quick-Fix on the post, and on gate side a bolt through fixing for gate frames from 40 to 60 mm.

Color options

ALUM 6005 9005 7016

Specifications

- ✔ Vandal-proof eyebolt & crossbolt
- ✔ Bolton-U and Bolton-G in extruded aluminium
- ✔ 500h salt spray resistant



Hinge parts



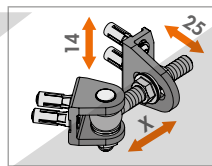
BOLTON-U-
P. 110



BOLTON-G-
P. 110



1034HDGA-
P. 114



Order codes & Dimensions

| | kg | A | B | C | D | E | F | G |
|-----------------------------|-----|-----------|-----------|-----|-----|----|----|------|
| BOLTON4D-12-QF-90 | 100 | Quick-Fix | | M12 | 90 | 70 | 42 | 35,5 |
| BOLTON4D-12-4060-90 | 100 | | Bindrabus | M12 | 90 | 70 | 42 | 35,5 |
| BOLTON4D-16-QF-110 | 200 | Quick-Fix | | M16 | 110 | 85 | 50 | 46,5 |
| BOLTON4D-16-4060-110 | 200 | | Bindrabus | M16 | 110 | 85 | 50 | 46,5 |





Bolt-on U-shaped earplate with Quick-Fix

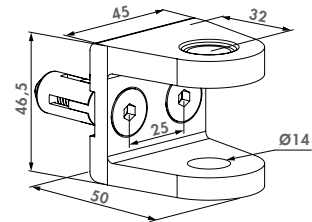
BOLTON-U-

Fix easily and firmly the U-shaped earplate to the fix post with 2 Quick-Fix. Compatible with GBMU 16 / GBMU 4D 16 / BOLTON4D-16.

ALUM 6005 9005 7016

Specifications

- ✔ U-shaped earplate in aluminium
- ✔ Perfect combination with BOLTON-G-16-QF
- ✔ No welding required: drill holes and fix with Quick-Fix



Order code

BOLTON-U-16-QF

U-shaped earplate with Quick-Fix



Bolt-on GRIP with Quick-Fix or internal threaded bushing fastening

BOLTON-G- (Patent pending)

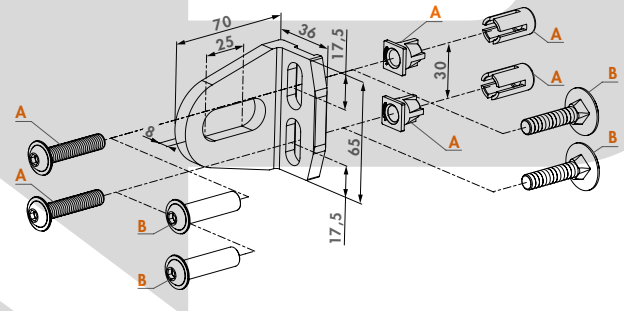
GRIP can quickly and easily be firmly attached to the fixed post with 2 Quick-Fix attachments elements or with internal threaded bushing fastening. Compatible with GBMU 16 / GBMU4D 16 / BOLTON4D 16.

Color options

ALUM 6005 7016 9005

Specifications

- ✔ GRIP in aluminium
- ✔ No welding required: drill holes and fix with Quick-Fix
- ✔ The 40-60 version can be applied to tubes of 40 up to 60 mm



Order codes

BOLTON-G-16-QF

BOLTON-G-16-4060

Quick-Fix

Bindrabus



i Gate wing standardization

With Locinox you can easily **standardize and stock only one type of gate wing** which can be used on **left- or right turning gates or on a double wing gates**. The extensive of our products allows you to use the same wing for the lock and the keep. A counterbox ensures a **uniform and aesthetic look**. The orientation of the GRIP of our GBMU4D hinge makes it possible to determine during installation whether the wing will be used for left or right turning.



100% modular



Timesaving



Left/right reversible



Easy to stack



1 gate profile,
lots of possibilities



Only 1 drill pattern

Advantages of wing standardization:

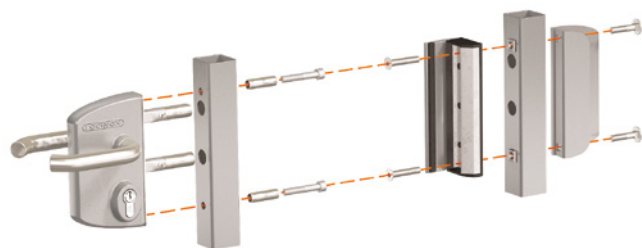
Easy to stack and transport

A gate wing where the hardware such as hinges and locks can be installed afterwards. Easier to stack, keep on stock and easier to transport!



Hinge, lock and keep reversibility

A gate wing can be used for left- or right turning. Locinox locks and keeps are reversible and the hinges can be installed in both directions.



Right turning gate:



Left turning gate:



Double wing gate:





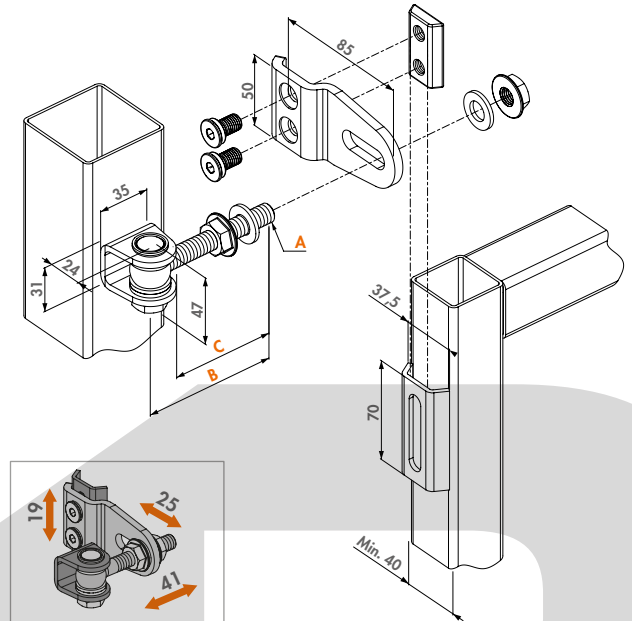
180° weld-on 4D adjustable hinge

GBMU4D12 (Patented)

4-way adjustable, hot-dip galvanized 180° hinge. Depth and spacing between gate and post are adjustable after installation. No more left or right swinging gates in stock. Only one gate wing should be produced for both left and right turning gates. The welding parts are available in black steel or zinc plated.

Specifications

- ✓ 180° opening and closing angle
- ✓ Hot-dip galvanized eyebolt and Grip
- ✓ 500h salt spray resistant



Hinge parts



1001U
P. 116



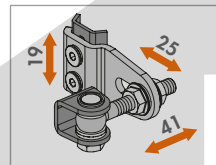
KLAUW12
P. 116



GRIP12
P. 118



4DFIX-I-12
P. 117



Order codes & Dimensions

Welding parts in black steel (B)

GBMU4D12-B-90

Welding parts zinc plated (Z)

GBMU4D12-Z-90

100 kg

A Eyebolt M12 B Length 90 mm C 70



180° weld-on 4D adjustable hinge

GBMU4D16 (Patented)

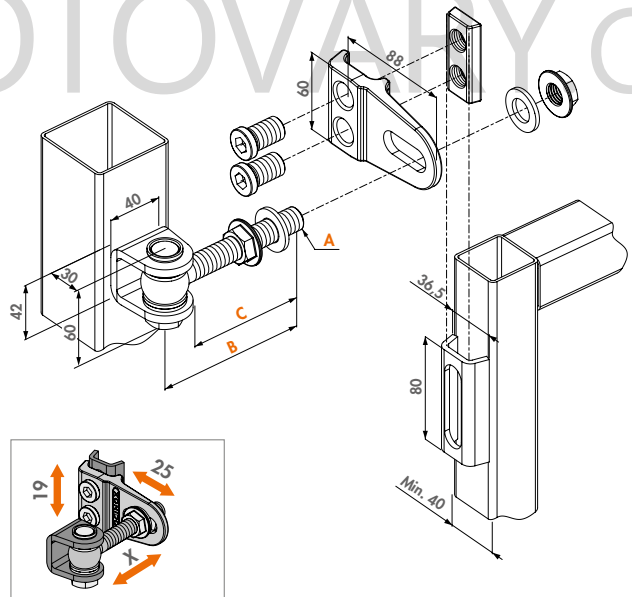
4-way adjustable, hot-dip galvanized 180° hinge. Depth and spacing between gate and post are adjustable after installation. No more left or right swinging gates in stock. Only one gate wing should be produced for both left and right turning gates. The welding parts are available in black steel or zinc plated.

Grip color options

6005 6009 9005 9010 ALUM 7016

Specifications

- ✓ 180° opening and closing angle
- ✓ Hot-dip galvanized eyebolt and Grip
- ✓ 500h salt spray resistant



Hinge parts



1001U
P. 116



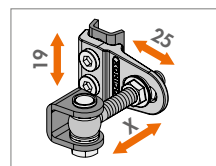
KLAUW-16
P. 117



GRIP16
P. 118



4DFIX-I
P. 117



Order codes & Dimensions

Welding parts in black steel (B)

GBMU4D16-B-110

Welding parts zinc plated (Z)

GBMU4D16-Z-110

200 kg

A Eyebolt M16 B Length 110 mm C 85

GBMU4D16-B-150

GBMU4D16-Z-150

200 kg

A Eyebolt M16 B Length 150 mm C 125



4-way adjustable 180° hinge

GBMU4D20 (Patented)

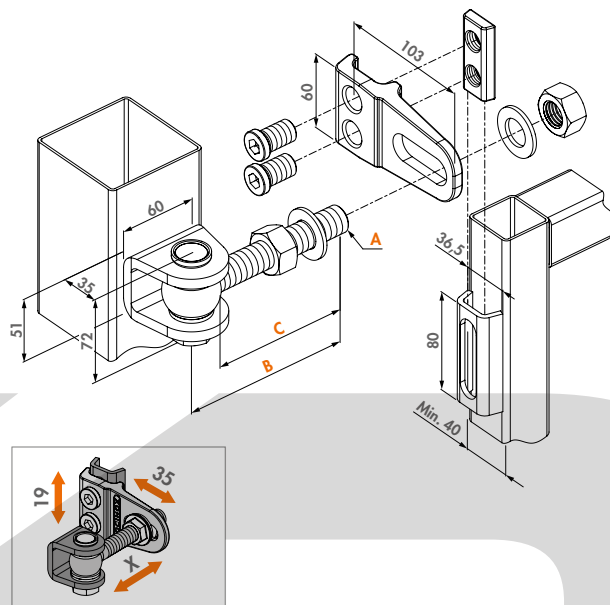
4-way adjustable, hot-dip galvanized 180° hinge. Depth and spacing between gate and post are adjustable after installation. No more left or right swinging gates in stock. Only one gate wing should be produced for both left and right turning gates. The welding parts are available in black steel or zinc plated.

Grip color options

6005 6009 9005 9010 ALUM 7016

Specifications

- ✓ 180° opening and closing angle
- ✓ Hot-dip galvanized eyebolt and Grip
- ✓ 500h salt spray resistant



Hinge parts



1001U-B-20
P. 116

KLAUW-
P. 117

GRIP20
P. 118

4DFIX-I
P. 117

Order codes & Dimensions

| Welding parts in black steel (B) | | Welding parts zinc plated (Z) | | | A | B | C |
|----------------------------------|--|-------------------------------|--------|---|-------------|---------------|-----|
| GBMU4D20-B-130 | | GBMU4D20-Z-130 | 400 kg | 📦 | Eyebolt M20 | Length 130 mm | 105 |
| GBMU4D20-B-150 | | GBMU4D20-Z-150 | 400 kg | | Eyebolt M20 | Length 150 mm | 115 |



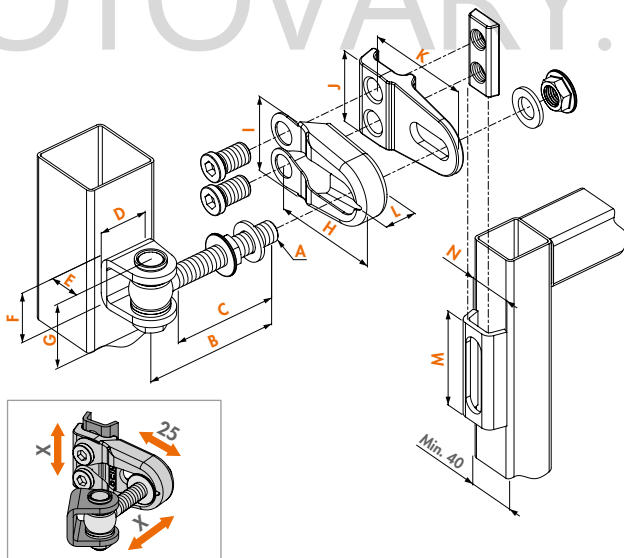
Vandal-proof 180° hinge with 4-way adjustment

GBMU4DSHIELD (Patented)

Vandal-proof hot-dip galvanized 180° hinge. This secured version of the GBMU4D16 hinge provides extra security since the eyebolt or cross bolt can not be tampered with. With the 4-way adjustment you no longer have to keep left or right turning gates in stock. Height & depth alignment and left/right turning direction, are individually adjustable.

Specifications

- ✓ 180° opening and closing angle
- ✓ Hot-dip galvanized eyebolt and Grip
- ✓ Vandal-proof Grip-shield included
- ✓ 500h salt spray resistant



Compatible hinge parts



1001U
P. 116

KLAUW-
P. 117

GRIP16
P. 118

4DFIX-I
P. 117

Order codes & Dimensions

| Welding parts in black steel (B) | | Welding parts zinc plated (Z) | | | A | B | C | D | E | F | G | H | I | J | K | L | M | N |
|----------------------------------|--|-------------------------------|--------|---|-----|-----|----|----|----|----|----|----|----|----|----|----|----|------|
| GBMU4DSHIELD-12-B-90 | | GBMU4DSHIELD-12-Z-90 | 100 kg | 📦 | M12 | 90 | 70 | 35 | 24 | 31 | 47 | 88 | 56 | 50 | 85 | 24 | 70 | 37,5 |
| GBMU4DSHIELD-16-B-110 | | GBMU4DSHIELD-16-Z-110 | 200 kg | | M16 | 110 | 85 | 40 | 30 | 42 | 60 | 91 | 63 | 60 | 88 | 26 | 80 | 36,5 |



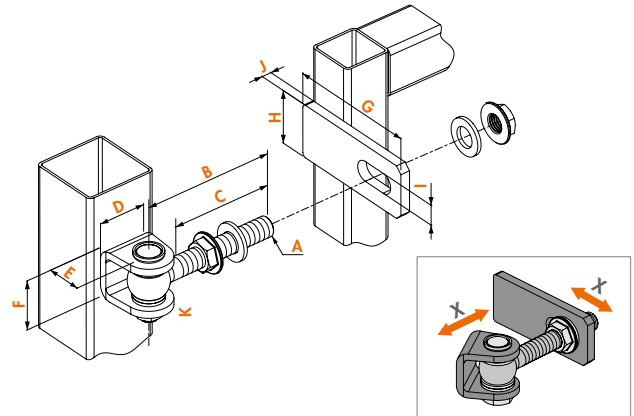
3-way adjustable 180° hinge

GBMU (Patented)

3-way adjustable hot-dip galvanized 180° hinge. Depth and spacing between gate and post are adjustable after installation. The welding parts are available in black steel or zinc plated.

Specifications

- ✔ Vandal-proof eyebolt & crossbolt
- ✔ 500h salt spray resistant



Order codes

| Welding parts in black steel (B) | | Welding parts zinc plated (Z) | | kg | A | B | C | D | E | F | G | H | I | J | K |
|----------------------------------|-----------------------|-------------------------------|----|-----|---------------|-----|----|----|----|-----|----|----|----|----|---|
| GBMU-B-M12-90 | GBMU-Z-M12-90 | 100 | kg | | | | | | | | | | | | |
| GBMU-B-M16-110 | GBMU-Z-M16-110 | 200 | kg | M16 | Length 110 mm | 85 | 40 | 30 | 42 | 110 | 45 | 17 | 8 | 60 | |
| GBMU-B-M16-150 | GBMU-Z-M16-150 | 200 | kg | M16 | Length 150 mm | 125 | 40 | 30 | 42 | 110 | 45 | 17 | 8 | 60 | |
| GBMU-B-M18-105 | GBMU-Z-M18-105 | 250 | kg | M18 | Length 105 mm | 80 | 50 | 30 | 42 | 120 | 50 | 19 | 8 | 62 | |
| GBMU-B-M18-150 | GBMU-Z-M18-150 | 250 | kg | M18 | Length 150 mm | 125 | 50 | 30 | 42 | 120 | 50 | 19 | 8 | 62 | |
| GBMU-B-M20-130 | GBMU-Z-M20-130 | 400 | kg | M20 | Length 130 mm | 105 | 60 | 35 | 51 | 130 | 60 | 21 | 12 | 72 | |
| GBMU-B-M20-150 | GBMU-Z-M20-150 | 400 | kg | M20 | Length 150 mm | 115 | 60 | 35 | 51 | 130 | 60 | 21 | 12 | 72 | |
| GBMU-B-M22-145 | GBMU-Z-M22-145 | 440 | kg | M22 | Length 145 mm | 115 | 60 | 35 | 51 | 130 | 60 | 23 | 12 | 74 | |
| GBMU-B-M22-160 | GBMU-Z-M22-160 | 440 | kg | M22 | Length 160 mm | 130 | 60 | 35 | 51 | 130 | 60 | 23 | 12 | 74 | |



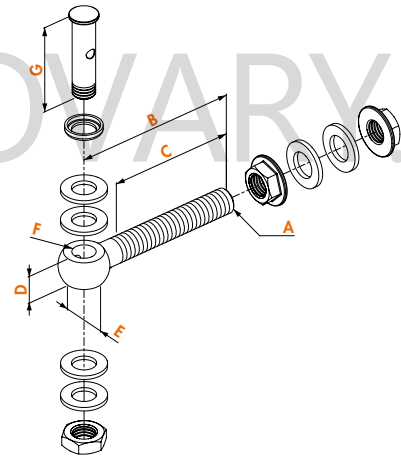
Hot-dip galvanized eyebolt set

1034HDGA- (Patented)

Eyebolt set hot-dip galvanized. Vandal-proof.

Specifications

- ✔ Hot-dip galvanized bearing eyebolt, transverse bolt and screws
- ✔ Stainless steel ring (6 x DIN125A)
- ✔ Vandal-proof
- ✔ 500h salt spray resistant



Order codes

| | A | B | C | D | E | F | G |
|-------------------------|-----|---------------|-----|----|----|-------|----|
| 1034HDGA-M12-90 | M12 | Length 90 mm | 70 | 14 | 24 | Ø12,5 | 47 |
| 1034HDGA-M16-110 | M16 | Length 110 mm | 85 | 19 | 31 | Ø14,5 | 60 |
| 1034HDGA-M16-150 | M16 | Length 150 mm | 125 | 19 | 31 | Ø14,5 | 60 |
| 1034HDGA-M18-105 | M18 | Length 105 mm | 80 | 20 | 36 | Ø16,5 | 62 |
| 1034HDGA-M18-150 | M18 | Length 150 mm | 125 | 20 | 36 | Ø16,5 | 62 |
| 1034HDGA-M20-130 | M20 | Length 130 mm | 105 | 22 | 40 | Ø18,5 | 72 |
| 1034HDGA-M20-150 | M20 | Length 150 mm | 115 | 22 | 40 | Ø18,5 | 72 |
| 1034HDGA-M22-145 | M22 | Length 145 mm | 115 | 24 | 42 | Ø20,5 | 74 |
| 1034HDGA-M22-160 | M22 | Length 160 mm | 130 | 24 | 42 | Ø20,5 | 74 |



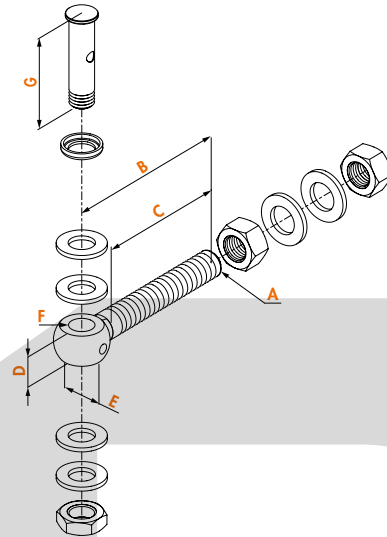
Corrosion-resistant and vandal-proof eyebolt set

1034A2-

Corrosion-resistant and vandal-proof eyebolt set in stainless steel.

Specifications

- ✔ M16 Eyebolt set in stainless steel, including: eyebolt, cross bolt, nuts and washers
- ✔ Vandal-proof
- ✔ 500h salt spray resistant



Order code

1034A2-M16-110-50

| A | B | C | D | E | F | G |
|-----|---------------|----|----|----|-------|----|
| M16 | Length 110 mm | 85 | 19 | 31 | Ø14,5 | 60 |



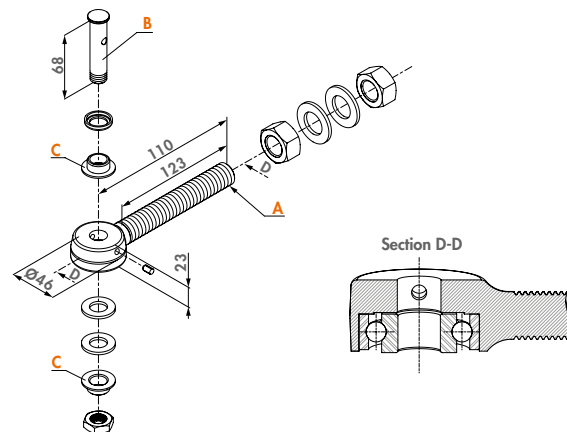
Hot-dip galvanized bearing eyebolt for 3D and 4D hinges

1034ROLL-HDG-

This bearing eyebolt can be integrated in every GBMU M16 and M20 hinge. It guarantees a very flexible opening and closing of your gates. Perfect combination with Locinox gate closers. Resistant to vandalism.

Specifications

- ✔ Recommended combination with Locinox gate closers
- ✔ Hot dip galvanized bearing eyebolt, transverse bolt and screws
- ✔ Stainless steel ring (6 x DIN125A)
- ✔ Dual sealed stainless steel bearing
- ✔ Vandal-proof
- ✔ 500h salt spray resistant



Order codes

1034ROLL-HDG-M16

1034ROLL-HDG-M20

| A | B | C |
|-------------|------------------|------------|
| Eyebolt M16 | Crossbolt Ø14 mm | |
| Eyebolt M20 | Crossbolt Ø14 mm | Ø16 => Ø14 |



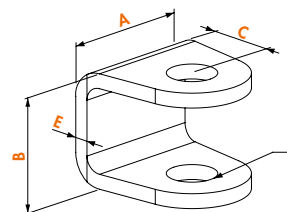
U-shaped ear plate

1001U

U-shaped ear plate for 180° hinges. Compatible with GBMU / GBMU4D16 / GBMU4D20 / GBMU4DSHIELD hinges.

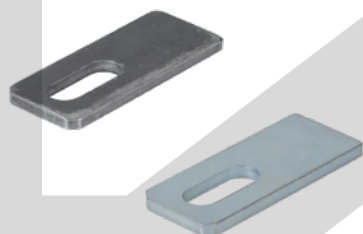
Specifications

- ✓ U-shaped ear plate to weld on in black steel or zinc plated



Order codes

| Black steel (B) | Zinc plated (Z) | A | B | C | D | E |
|-----------------|-----------------|----|----|----|-----|---|
| 1001U-B-12 | 1001U-Z-12 | 35 | 31 | 24 | Ø13 | 4 |
| 1001U-B-16 | 1001U-Z-16 | 40 | 42 | 30 | Ø15 | 6 |
| 1001U-B-18 | 1001U-Z-18 | 40 | 42 | 30 | Ø17 | 6 |
| 1001U-B-20 | 1001U-Z-20 | 60 | 51 | 35 | Ø19 | 8 |
| 1001U-B-22 | 1001U-Z-22 | 60 | 51 | 35 | Ø21 | 8 |



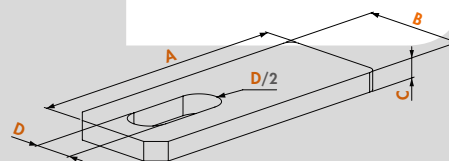
Groove plate

1002M

Groove plate to weld on for 180° hinges. Compatible with GBMU hinge.

Specifications

- ✓ Black steel or zinc plated groove plate to weld on



Order codes

| Black steel (B) | Zinc plated (Z) | A | B | C | D |
|-----------------|-----------------|-----|----|----|----|
| 1002M-B-12 | 1002M-Z-12 | 90 | 35 | 6 | 13 |
| 1002M-B-16 | 1002M-Z-16 | 110 | 45 | 8 | 17 |
| 1002M-B-18 | 1002M-Z-18 | 120 | 50 | 8 | 19 |
| 1002M-B-20 | 1002M-Z-20 | 130 | 60 | 12 | 21 |
| 1002M-B-22 | 1002M-Z-22 | 130 | 60 | 12 | 23 |

Gate Claw

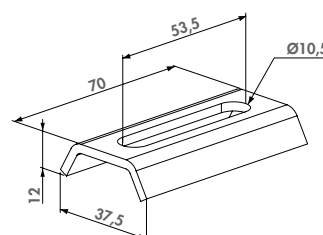
KLAUW12

Black steel or zinc plated gate claw to weld on. Compatible with GBMU4DSHIELD-12.



Specifications

- ✓ Gate claw in black steel



Order codes

| Black steel (B) | Zinc plated (Z) | Compatible with GRIP12 & 4DFIX-I-12 |
|-----------------|-----------------|-------------------------------------|
| KLAUW12-B | KLAUW12-Z | |



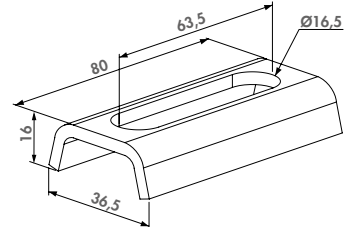
Gate Claw

KLAUW-

Black steel or zinc plated welding part for a precise, strong and aesthetic connection to min. 40 mm profiles. Compatible with GBMU4D16, GBMU4D20 and Bearing Hinge.

Specifications

- ✔ Gate claw in black steel or zinc plated



Order codes

Black steel (B)

Zinc plated (Z)

KLAUW-B

KLAUW-Z

Compatible with GRIP16, GRIP20 & 4DFIX-I



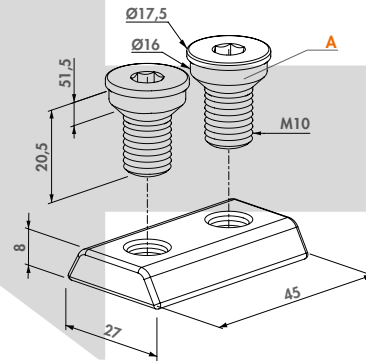
Claw nut and bolts for 4D hinges

4DFIX-I-12

Hot-dip galvanized claw nut with stainless steel M10 bolts. Part of the GBMU4D12 hinge.

Specifications

- ✔ Claw nut hot-dip galvanized
- ✔ 2 stainless steel bolts M10 x 20,5 mm
- ✔ Component of the GBMU4DSHIELD12 hinge



Order code

4DFIX-I-12

Bolts: M10x20,5 mm (2x)



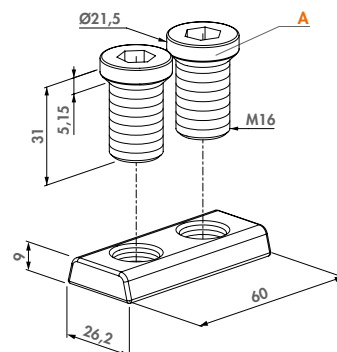
Claw nut and bolts for 4D hinges

4DFIX-I

Hot-dip galvanized claw nut with stainless steel M16 bolts. Part of the GBMU4D16 and 20 hinge.

Specifications

- ✔ Claw nut hot-dip galvanized
- ✔ 2 bolts M16 x 32 mm in stainless steel
- ✔ Component of the GBMU4D16 and GBMU20 hinges



Order code

4DFIX-I

Bolts: M16x32 mm (2x)



Fixation grip for hinge GBMU4D12

GRIP12

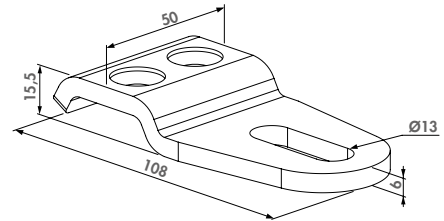
Fixation grip for hinge GBMU4D12

Color options

ALUM

Specifications

- ✔ Hot-dip galvanized steel



Order code

GRIP12

Compatible eyebolt-set: 1034HDGA-M12-90



Fixation grip for hinge GBMU4D16

GRIP16

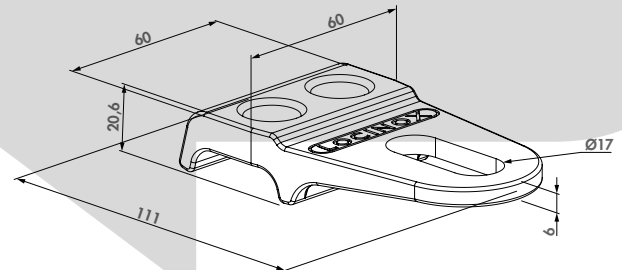
Fixation grip for hinge GBMU4D16

Color options

6005 6009 9005 9010 7016 ALUM

Specifications

- ✔ Hot-dip galvanized steel
- ✔ Available in different colours



Order code

GRIP16

Compatible eyebolt-set: 1034HDGA-M16 or 1034ROLL-M16



Fixation grip for hinge GBMU4D20

GRIP20

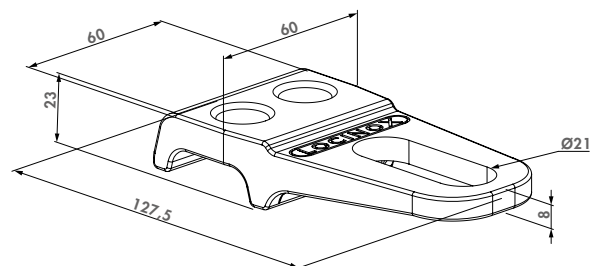
Fixation grip for hinge GBMU4D20

Color options

6005 6009 9005 9010 7016 ALUM

Specifications

- ✔ Hot-dip galvanized steel
- ✔ Available in different colours



Order code

GRIP20

Compatible eyebolt-set: 1034HDGA-M20



Vandal-proof one way 90° hinge

G90Z (Patented)

Vandal-proof hot-dip galvanized 90° hinge. This secured hinge is the perfect solution for all your small industrial gates. The eyebolt can not be tampered with when the gate is closed.

Specifications

- ✔ 90° opening
- ✔ Nut in black steel for welding
- ✔ Earplate in black steel or cold zinc plated
- ✔ Vandal-proof
- ✔ 500h salt spray resistant

Hinge parts



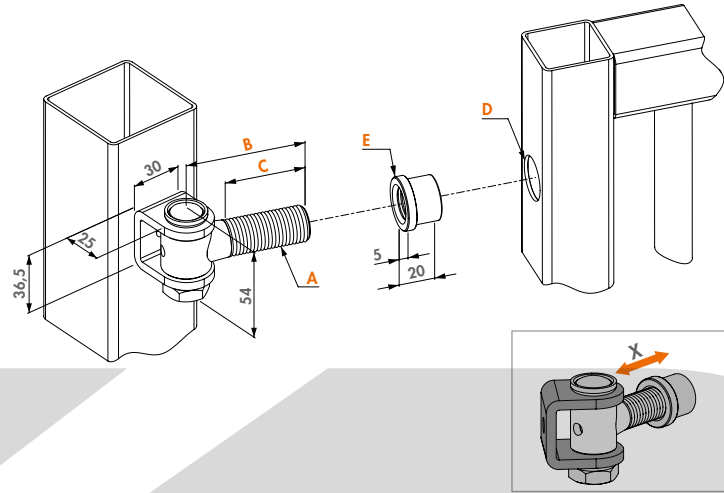
1036
P. 121



1039SET
P. 121



1127
P. 121



Order codes

| Welding parts in black steel (B) | | Welding parts zinc plated (Z) | | kg | A | B | C | D | E |
|----------------------------------|----------------|-------------------------------|----|-----|--------|-----|-----|-------|---|
| G90Z-B-M16-65 | G90Z-Z-M16-65 | 150 | kg | M16 | 65 mm | 47 | Ø21 | Ø25,5 | |
| G90Z-B-M16-110 | G90Z-Z-M16-110 | 150 | kg | M16 | 110 mm | 92 | Ø21 | Ø25,5 | |
| G90Z-B-M16-150 | G90Z-Z-M16-150 | 150 | kg | M16 | 150 mm | 132 | Ø21 | Ø25,5 | |
| G90Z-B-M20-67 | G90Z-Z-M20-67 | 300 | kg | M20 | 67 mm | 45 | Ø25 | Ø29,5 | |
| G90Z-B-M20-150 | G90Z-Z-M20-150 | 300 | kg | M20 | 150 mm | 128 | Ø25 | Ø29,5 | |



Vandal-proof one way 90° hinge with adjustable welding nut

G90LR (Patented)

Vandal-proof hot-dip galvanized 90° hinge. This hinge is the perfect solution for all your small industrial gates. The eyebolt can not be tampered with when the gate is closed. With the LR welding nut you can easily adjust the hinge.

Specifications

- ✔ 90° opening
- ✔ Adjustable nut zinc plated
- ✔ Zinc-plated earplate
- ✔ Vandal-proof
- ✔ 500h salt spray resistant

Hinge parts



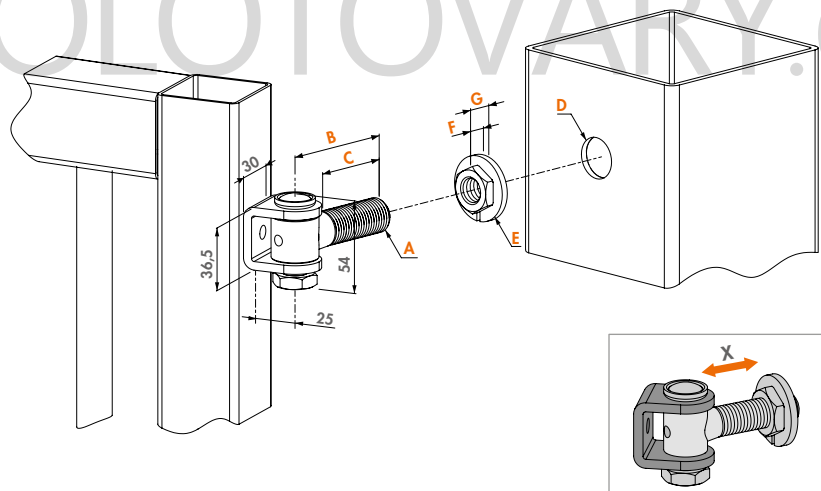
1036-Z
P. 121



1039SET
P. 121



LR
P. 123



Order codes

| Welding parts zinc plated (Z) | | kg | A | B | C | D | E | F | G |
|-------------------------------|-----|----|-----|---------------|-----|-----|-----|----|------|
| G90LR-Z-M16-65 | 150 | kg | M16 | Length 65 mm | 47 | Ø26 | Ø38 | 10 | 14,5 |
| G90LR-Z-M16-110 | 150 | kg | M16 | Length 110 mm | 92 | Ø26 | Ø38 | 10 | 14,5 |
| G90LR-Z-M16-150 | 150 | kg | M16 | Length 150 mm | 132 | Ø26 | Ø38 | 10 | 14,5 |
| G90LR-Z-M20-67 | 300 | kg | M20 | Length 67 mm | 45 | Ø32 | Ø46 | 11 | 17,5 |
| G90LR-Z-M20-150 | 300 | kg | M20 | Length 150 mm | 128 | Ø32 | Ø46 | 11 | 17,5 |



Vandal-proof one way 90° hinge with adjustable steel wall plate

G90WP (Patented)

Vandal-proof hot-dip galvanized 90° hinge. This secured hinge is the perfect solution for all your small and medium-sized gates. The eyebolt can not be tampered with when the gate is closed. Thanks to the wall plate with adjustable nut you can easily adjust the hinge.

Specifications

- ✓ 90° opening
- ✓ Wall plate with adjustable nut
- ✓ Black steel ear plate for welding
- ✓ Vandal-proof
- ✓ 500h salt spray resistant

Hinge parts



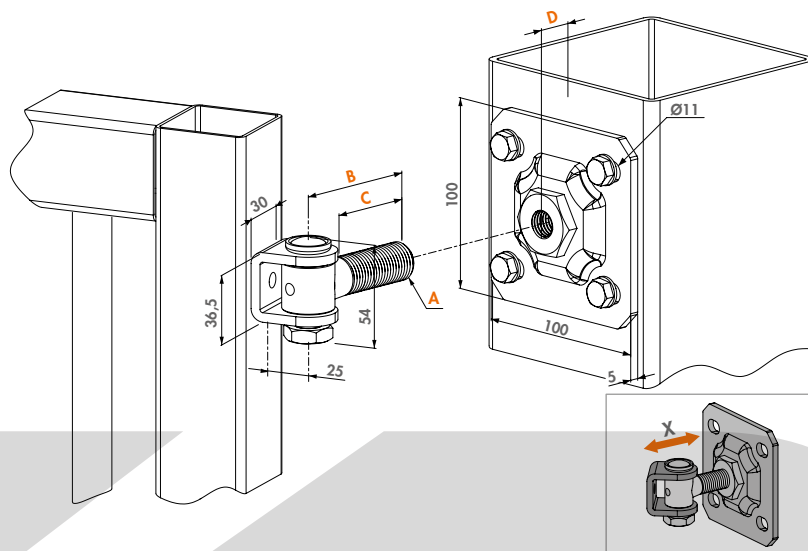
1036-B
P. 121



1039SET
P. 121



1005WP
P. 124



Order codes

Welding parts in black steel (B)

| |  kg | A | B | C | D |
|------------------------|--|-----|---------------|-----|----|
| G90WP-B-M16-65 | 150 kg | M16 | Length 65 mm | 47 | 19 |
| G90WP-B-M16-110 | 150 kg | M16 | Length 110 mm | 92 | 19 |
| G90WP-B-M16-150 | 150 kg | M16 | Length 150 mm | 132 | 19 |
| G90WP-B-M20-67 | 300 kg | M20 | Length 67 mm | 45 | 20 |
| G90WP-B-M20-150 | 300 kg | M20 | Length 150 mm | 128 | 20 |





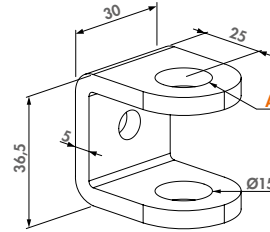
Earplate for eyebolt 1039SET

1036

Earplate for hinge 1039SET

Specifications

- ✓ U-shaped ear plate to weld on in black steel or zinc plated
- ✓ Compatible with eyebolt set 1039SET-M16 and M20



Order codes

Black steel (B)

Zinc plated (Z)

A

1036-B

1036-Z

For crossbolt Ø14 mm



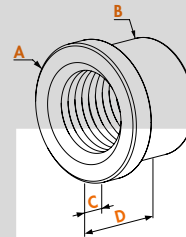
Weld nut

1127

M16 or M20 weld nut

Specifications

- ✓ Compatible with eyebolt set 1039SET
- ✓ Black steel for welding



Order codes

For eyebolt

1127-M16

1127-M20

| A | B | C | D |
|-------|-------|---|----|
| Ø25,5 | Ø20,8 | 5 | 20 |
| Ø29,5 | Ø24,8 | 5 | 20 |



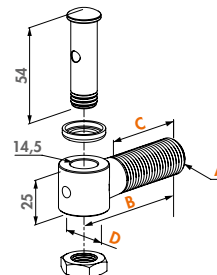
Eyebolt set for earplate 1036

1039SET (Patented)

Eyebolt set for earplate 1036

Specifications

- ✓ Eyebolt and hot-dip galvanized bolt
- ✓ 500h salt spray resistant



Order codes

Hot-dip galvanized eyebolt set

1039SET-M16-65

1039SET-M16-110

1039SET-M16-150

1039SET-M20-67

1039SET-M20-150

| A | B | C | D |
|-----|---------------|-----|----|
| M16 | Length 65 mm | 47 | 23 |
| M16 | Length 110 mm | 92 | 23 |
| M16 | Length 150 mm | 132 | 23 |
| M20 | Length 67 mm | 45 | 27 |
| M20 | Length 150 mm | 128 | 27 |

Ornamental hinge set

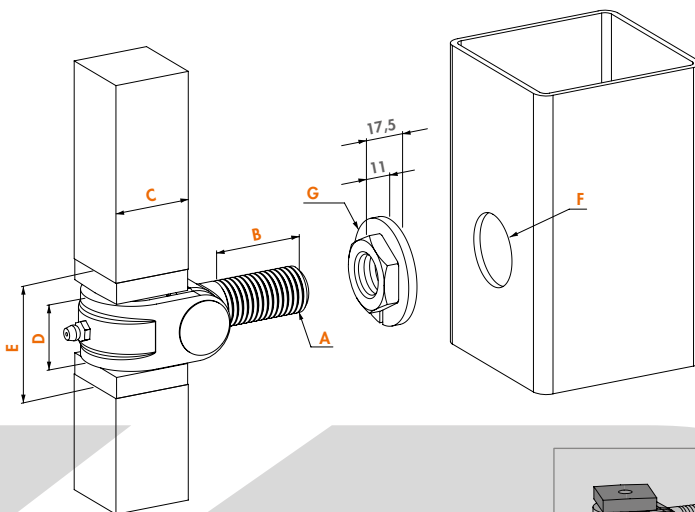
G-ORNA-LR

Hot-dip galvanized hinge set including greaser and adjustable nut for ornamental gates.



Specifications

- ✓ Ornamental hinge set
- ✓ Black steel or zinc plated welding base
- ✓ Zinc plated adjustable nut
- ✓ Hot-dip galvanized clamp hinge with stainless steel bolt



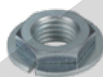
Hinge parts



1002B
P. 123



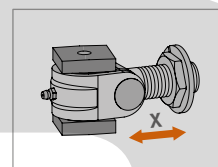
1004ORNA
P. 123



LR
P. 123

Order codes

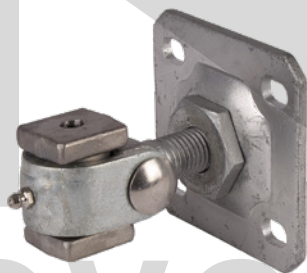
| Welding block in black steel (B) | Welding block zinc plated (Z) | kg | A | B | C | D | E | F | G |
|----------------------------------|-------------------------------|-----|-----|--------------|-----------------|----|----|-----|-----|
| G-ORNA-LR-B-M20 | G-ORNA-LR-Z-M20 | 300 | M20 | Length 40 mm | Welding base 35 | 29 | 52 | Ø32 | Ø46 |
| G-ORNA-LR-B-M24 | G-ORNA-LR-Z-M24 | 400 | M24 | Length 45 mm | Welding base 40 | 34 | 57 | Ø35 | Ø50 |
| G-ORNA-LR-B-M27 | G-ORNA-LR-Z-M27 | 500 | M27 | Length 60 mm | Welding base 50 | 39 | 62 | Ø38 | Ø53 |



Ornamental hinge set with wall plate

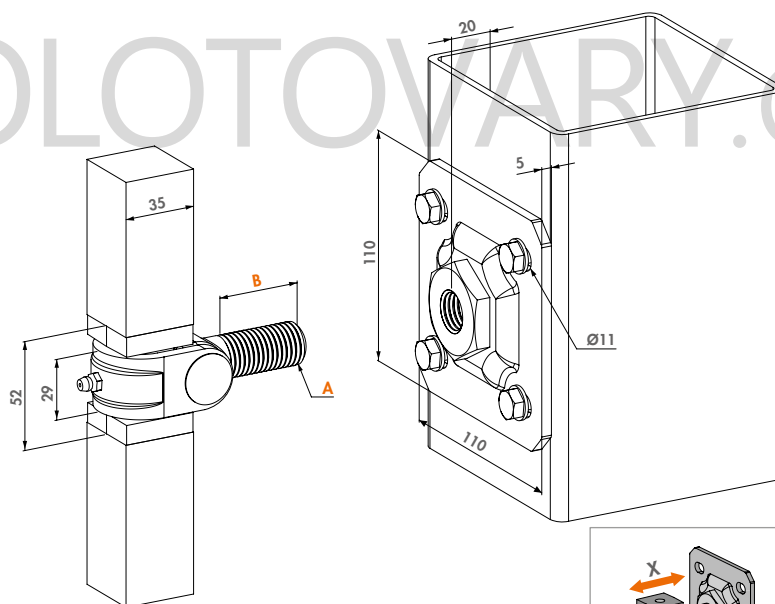
G-ORNA-WP

Hot-dip galvanized hinge set including greaser and wall plate with adjustable nut for ornamental gates.



Specifications

- ✓ Ornamental hinge set
- ✓ Black steel or zinc plated welding base
- ✓ Hot-dip galvanized wall plate
- ✓ Hot-dip galvanized clamp hinge with stainless steel bolt
- ✓ Welding base 35x35 mm, M20 clamp hinge



Hinge parts



1002B
P. 123



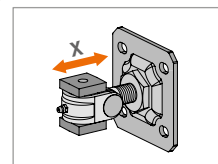
1004ORNA
P. 123



1005WP-M20
P. 124

Order codes

| Welding block in black steel (B) | Welding block zinc plated (Z) | kg | A | B |
|----------------------------------|-------------------------------|-----|-----|--------------|
| G-ORNA-WP-B-M20 | G-ORNA-WP-Z-M20 | 300 | M20 | Length 40 mm |





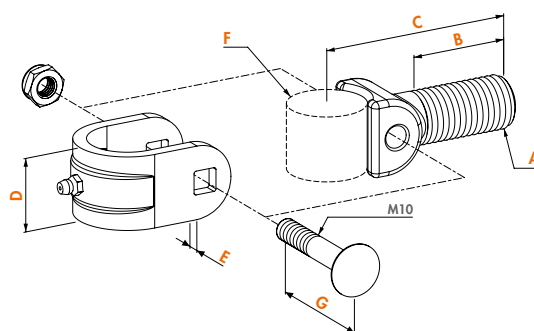
Clamp hinge

1004ORNA

Hot-dip galvanized clamp hinge.

Specifications

- ✔ Hot-dip galvanized clamp hinge with stainless steel bolt



Order codes

1004ORNA-M20
1004ORNA-M24
1004ORNA-M27

| | A | B | C | D | E | F | G |
|-----|--------------|-----|----|---|-----|----|---|
| M20 | Length 40 mm | 81 | 29 | 6 | Ø30 | 55 | |
| M24 | Length 45 mm | 89 | 34 | 6 | Ø35 | 60 | |
| M27 | Length 65 mm | 106 | 39 | 6 | Ø40 | 65 | |



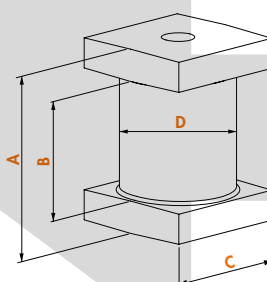
Welding block for ornamental hinge

1002B

Black steel or zinc plated welding block for ornamental clamp hinges.

Specifications

- ✔ Black steel or zinc plated welding base



Order codes

| Black steel (B) | Zinc plated (Z) |
|-----------------|-----------------|
| 1002B-B-35 | 1002B-Z-35 |
| 1002B-B-40 | 1002B-Z-40 |
| 1002B-B-50 | 1002B-Z-50 |

| A | B | C | D |
|----|----|----|-----|
| 52 | 32 | 35 | Ø30 |
| 57 | 37 | 40 | Ø35 |
| 62 | 42 | 50 | Ø40 |

Adjustable nut

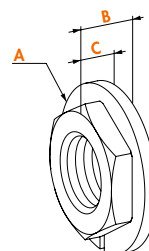
LR

Zinc plated adjustable welding nut for ornamental gates. With this system you can fine-tune your installed gate.



Specifications

- ✔ Adjustable welding nut, zinc-plated



Order codes

LR-M16
LR-M20
LR-M24
LR-M27

| A | B | C |
|-----|------|------|
| Ø38 | 15,5 | 10,5 |
| Ø46 | 17,5 | 11 |
| Ø50 | 17,5 | 11 |
| Ø53 | 17,5 | 11 |

Wallplate hot-dip galvanized

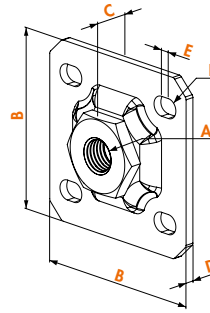
1005WPF

Hot-dip galvanized wall plate with adjustable nut for garden gate hinges.



Specifications

- ✓ Steel wallplate hot-dip galvanized



Order codes

| | A | B | C | D | E | F |
|-------------|-----|-----|----|---|---|-----|
| 1005WPF-M12 | M12 | 60 | 15 | 3 | 5 | Ø7 |
| 1005WPF-M16 | M16 | 100 | 19 | 5 | 5 | Ø11 |
| 1005WPF-M20 | M20 | 100 | 20 | 5 | 5 | Ø11 |



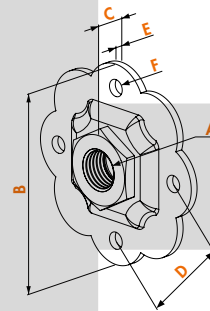
Flower wall plate hot-dip galvanized

1005WPF

Hot-dip galvanized wall plate with adjustable nut for ornamental gates.

Specifications

- ✓ Flower wall plate for ornamental gates



Order codes

| | A | B | C | D | E | F |
|-------------|-----|-----|----|----|---|-----|
| 1005WPF-M20 | M20 | 110 | 19 | 60 | 5 | Ø11 |
| 1005WPF-M22 | M22 | 120 | 20 | 65 | 5 | Ø11 |
| 1005WPF-M24 | M24 | 130 | 20 | 70 | 5 | Ø11 |
| 1005WPF-M27 | M27 | 130 | 20 | 70 | 5 | Ø11 |

Hot-dip galvanized steel wall plate

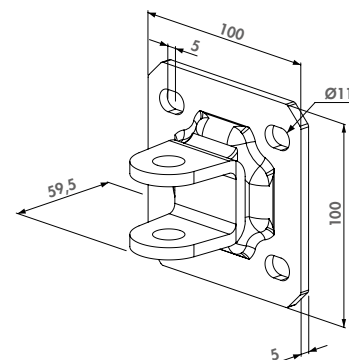
1005WPU16

Hot-dip galvanized wall plate with U-shaped ear for M16 eyebolt with M14 bolt.



Specifications

- ✓ Steel wallplate hot-dip galvanized
- ✓ For M16 eyebolt and M14 bolt



Order code

1005WPU16

Compatible eyebolt-set: 1034HDGA-M16 or 1034ROLL-M16



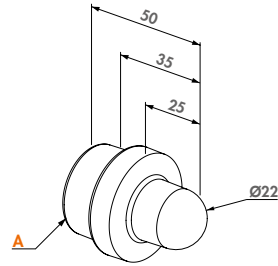
Gate pivot

GDP

Black steel or zinc plated gate pivot point for ornamental gates.

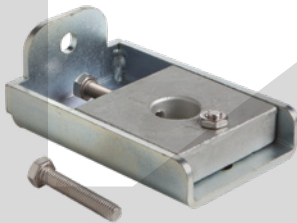
Specifications

- ✔ Packed per 10 pieces



Order codes

| Black steel (B) | Zinc plated (Z) | A |
|-----------------|-----------------|-----|
| GDP-B-35 | GDP-Z-35 | Ø29 |
| GDP-B-40 | GDP-Z-40 | Ø34 |
| GDP-B-50 | GDP-Z-50 | Ø44 |



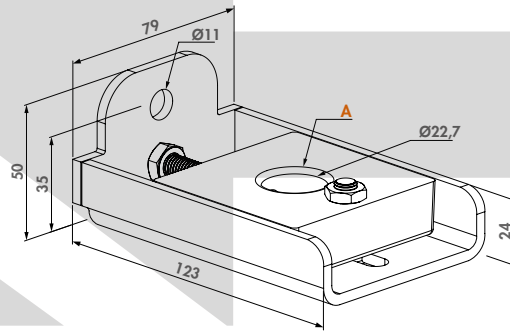
Base plate and plate holder for gate pivot frame

GP-U-BASE

The combination of the plate holder and the base plate makes it possible to adjust the distance between the post and the gate millimetre by millimetre. The hot-dip galvanized base plate suits the gate pivot GDP-B-35, GDP-B-40, and GDP-B-50 so you only need to keep 1 single product in stock.

Specifications

- ✔ Zinc-plated plate holder with hot-dip galvanized base plate
- ✔ Distance between post and gate 35 mm adjustable
- ✔ Suits all kinds of post profiles



Order code

GP-U-BASE

A
Compatible with all gate pivots





180° double bearing hinge

DINO

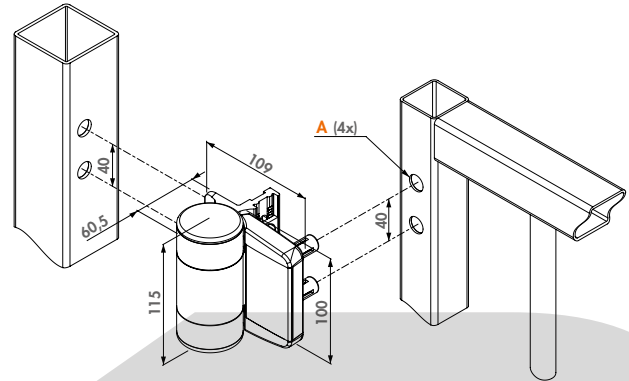
The Dino hinge is a double bearing hinge in an aluminium housing. The stainless steel bearings guarantee a smooth opening and closing of the gate. Easy to install with Quick-Fix.

Color options

9005 ZILV

Specifications

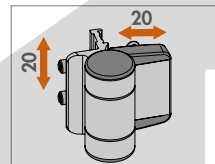
- ✔ Aesthetic design & powder coated aluminium housing
- ✔ Fixing: Anti-theft & vandal-proof
- ✔ Fast and easy fixing with Quick-Fix



Compatible gate closer



MAMMOTH-180
P. 15



Order code

DINO



150 kg

A

For Quick-Fix Ø15 mm



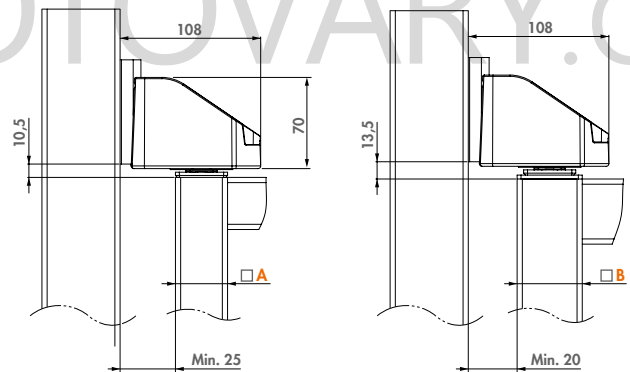
Adjustable 90° hinge with bearing

BEARING HINGE

Stainless steel maintenance free bearing hinge for mounting on all your automated gate projects. The hinge is adjustable in height and width.

Specifications

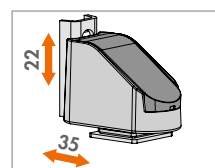
- ✔ Specially developed for automated gates
- ✔ Stainless steel housing
- ✔ Equipped with a stainless steel bearing
- ✔ Can be used as top & bottom hinge



Hinge part



KLAUW-
P. 117



Order code

BEARING HINGE



200 kg

A

B

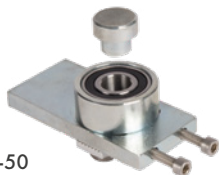
Gate frame 40x40 mm 50x50 mm

Adjustable 90° hinge with bearing

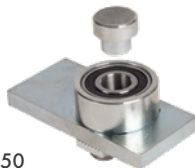
1DBH-

Zinc plated maintenance-free bearing hinge for installation on all your automated gate projects. The hinge is 25 mm adjustable.

1DBH-A-BB-50



1DBH-Z-BB-50

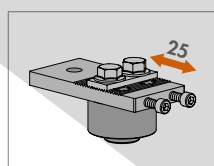
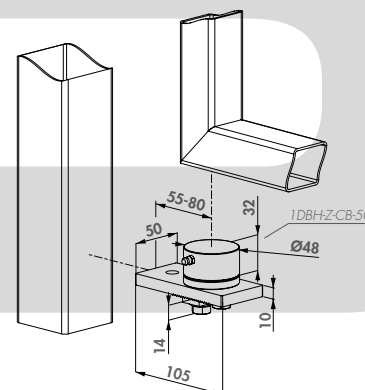
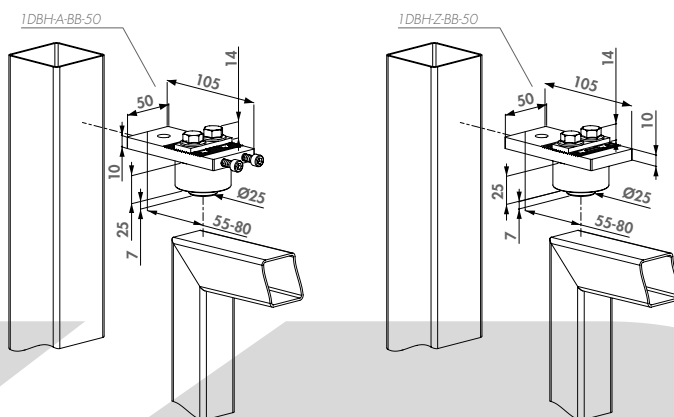


1DBH-Z-CB-50



Specifications

- ✔ Specially developed for automated gates
- ✔ Conical bearing version (CB): protected by housing, 750 kg axial load capacity
- ✔ 25 mm adjustable in width
- ✔ Version A-BB: with adjustment screws, recommended as top hinge
- ✔ Version Z-BB: universal, can be used as top or bottom hinge
- ✔ Version Z-CB: hinge with high load capacity, recommended as bottom hinge



Order codes

| Order code | Description | Weight (kg) |
|--------------|--|-------------|
| 1DBH-A-BB-50 | Adjustable 90° hinge with stainless steel ball bearing and adjustment screws | 200 kg |
| 1DBH-Z-BB-50 | Adjustable 90° hinge with stainless steel ball bearing | 200 kg |
| 1DBH-Z-CB-50 | Adjustable 90° hinge with conical bearing | 750 kg |

3-way adjustment hinge

3DM (Patented)

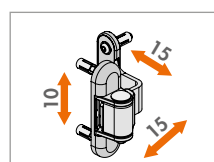
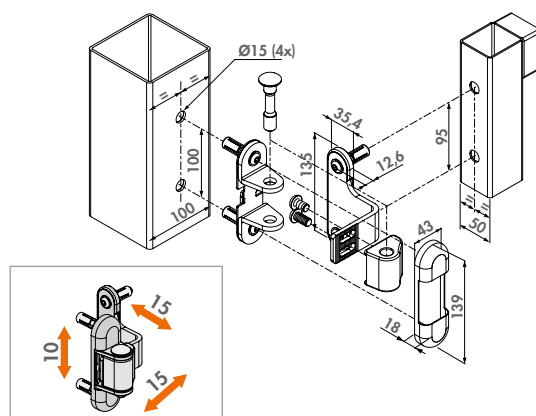
Stainless steel hinge for aluminium/metal gates equipped with the fast Quick-Fix system. The hinge is adjustable in three dimensions: height, left/right alignment and swing direction. Also available with hot-dip galvanized arm.

Specifications

- ✔ 180° hinge for metal & aluminium gates
- ✔ Innovative Quick-Fix mounting
- ✔ Reversible for left/right swinging gates
- ✔ 15 mm adjustable in width, 10 mm in height and 10 mm in depth
- ✔ Vandal-proof
- ✔ Hinge socket, axle and socket cover plate in stainless steel

Order codes

| Order code | Description | Weight (kg) |
|-------------------|---------------------------------------|-------------|
| 3DM-VP100-P50-A2 | Hinge arm in stainless steel | 150 kg |
| 3DM-VP100-P50-HDG | Hinge arm in hot-dip galvanized steel | 150 kg |



Vandal-proof 4D-hinge for wooden gates

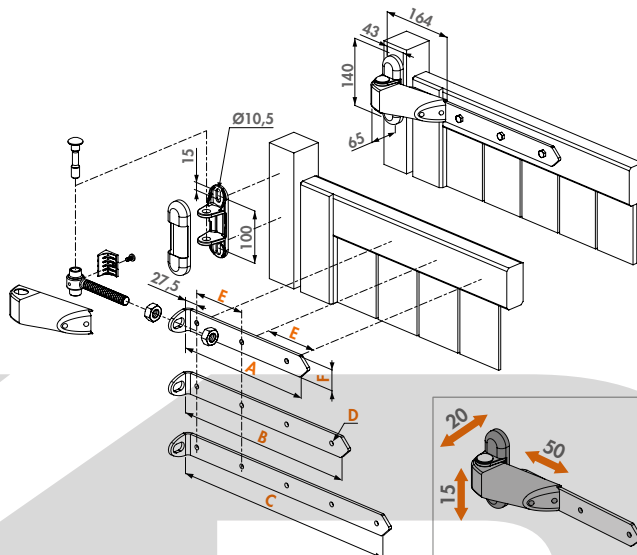
4DW (Patented)



Aesthetic, vandal proof hinge for wooden gates. The stainless steel hinge can be adjusted in 4 dimensions. Height, depth, left / right alignment and rotational direction can be adjusted. Adjustments can be made after installing the hinges. This way your gate is always perfectly aligned.

Specifications

- ✓ 180° hinge for wooden gates
- ✓ Adjustable in 4 dimensions: height, depth, left / right alignment and rotational direction
- ✓ ± 50 mm longitudinal adjustability
- ✓ 20 mm depth adjustability (14 mm outside and 6 mm inside of fixed pole)
- ✓ Vandal-proof
- ✓ Available with 300, 400 or 500 mm stainless steel hinge arm
- ✓ Perfect in combination with the H-Wood lock and SHKW keep



Order codes

Hinge arm in stainless steel

| | kg | A | B | C | D | E | F |
|-------------------|-----|---------------|---------------|---------------|---------|-----|----|
| 4DW-300-A2 | 150 | Length 300 mm | | | Ø9 (3x) | 110 | 40 |
| 4DW-400-A2 | 150 | | Length 400 mm | | Ø9 (4x) | 110 | 40 |
| 4DW-500-A2 | 150 | | | Length 500 mm | Ø9 (5x) | 110 | 40 |

180° 3-way adjustment hinge for wooden gates

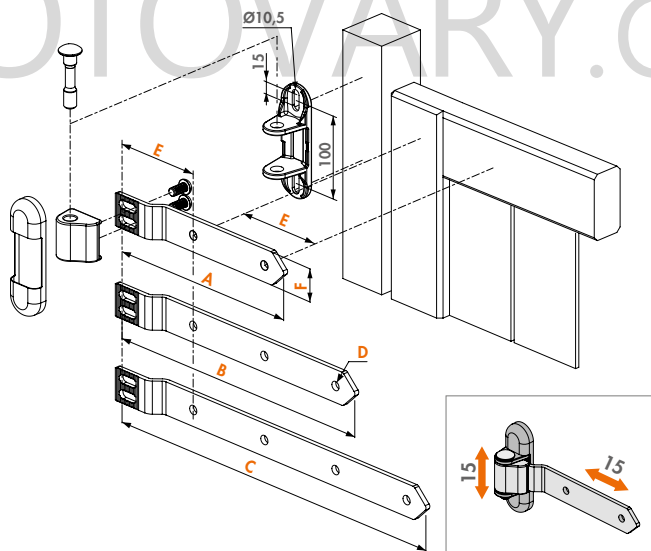
3DW (Patented)



Stainless steel hinge for wooden gates. The hinge is adjustable in three dimensions: height, left/right alignment and swing direction. Also available with hot-dip galvanized arm.

Specifications

- ✓ 180° hinge for wooden gates
- ✓ Reversible for left/right swinging gates
- ✓ Vandal-proof
- ✓ Hinge socket, axle and socket cover plate in stainless steel



Order codes

Hinge arm in stainless steel

Hinge arm in hot-dip galvanized steel

| | kg | A | B | C | D | E | F |
|--------------------|-----|---------------|---------------|----------|----------|-----|----|
| 3DW-250-A2 | 350 | Length 250 mm | | | Ø11 (2x) | 110 | 40 |
| 3DW-250-HDG | | | | | | | |
| 3DW-350-A2 | | | Length 350 mm | | | | |
| 3DW-350-HDG | | | | | | | |
| 3DW-450-HDG | 350 | Length 450 mm | | Ø11 (4x) | 110 | 40 | |





Compact 2-way adjustable 180° surface mounted hinge

PUMA

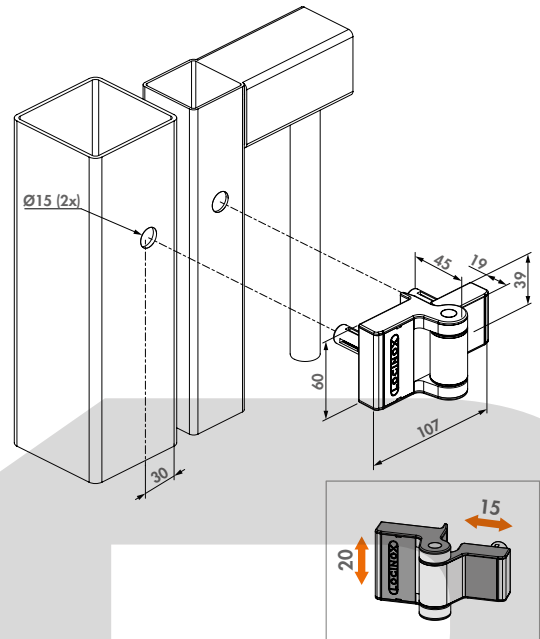
The Puma hinge is a compact surface mounted hinge with a powder coated aluminium housing. Its 180° opening angle together with its vertical and horizontal adjustability make the hinge flexible. Simple to install thanks to the Quick-Fix fastening system; no welding needed. This hinge easily supports gates up to 1 metre wide and 60 kg. The Puma hinge's aesthetic design perfectly fits aluminium and smaller residential gates.

Color options

ZILV 9005

Specifications

- ✓ For gates up to 1 m wide and 60 kg
- ✓ For left and right opening gates
- ✓ 15 mm adjustable in width and 20 mm in height
- ✓ No welding required: drill holes and fix with Quick-Fix



Compatible with TIGER gate closer



TIGER
P. 14

Order code

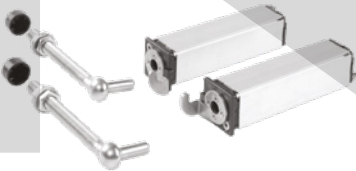
PUMA

60 kg 2 x Quick-Fix

Spring hinge for garden gates

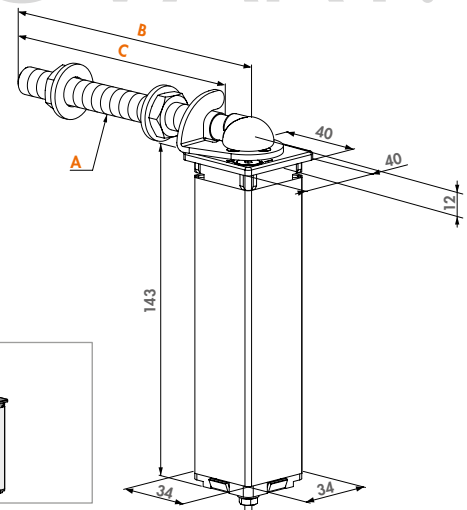
SWING40 (Patented)

Spring hinges for garden gates and pedestrian gates. The set can easily be fitted inside a 40x40 mm tubing. The force can be adjusted by means of an Allen key.



Specifications

- ✓ One for the top, one for the bottom
- ✓ Fixing: slides in gate frame
- ✓ Only for gate frames 40x40/2 mm
- ✓ Reversible: left/right
- ✓ Adjustable spring tension: M3 allen key
- ✓ Maximum width of the gate: 1300 mm
- ✓ Maximum weight: 75 kg



Order codes

| Hangerbolt length | kg | A | B | C |
|-------------------|----|-----|---------------|-----|
| SWING40-130 | 75 | M12 | Length 130 mm | 110 |
| SWING40-150 | 75 | M12 | Length 150 mm | 130 |



Hinge set with polyamide plugs for garden gates

GBM12

Stainless steel garden gate hinge set. The set consists of 2 threaded M12 hinge axes with polyamide hinge plugs. The economical quality solution for all your garden/walk gate projects.

Specifications

- ✔ Hinge axle M12 in stainless steel
- ✔ Plug available for profile 30x30 mm or 40x40 mm
- ✔ Length of the threaded axle: 130 mm or 150 mm
- ✔ Fixing: slide in plug

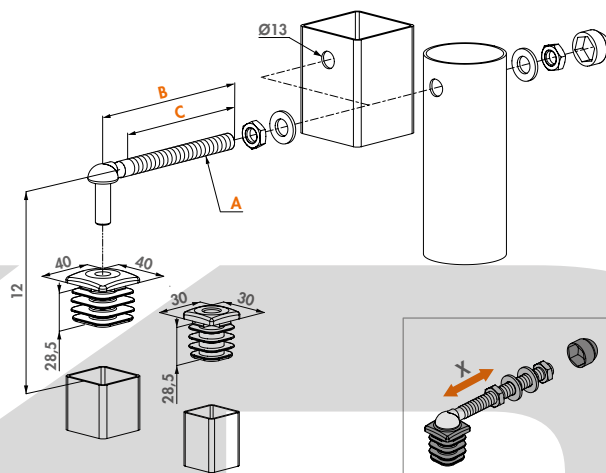
Hinge part



1040TPS-M12-
P. 134

Order codes

| For square profiles 30 x 30 mm | For square profiles 40 x 40 mm | kg | A | B | C |
|--------------------------------|--------------------------------|----|-----|---------------|-----|
| GBM12-30-130 | GBM12-40-130 | 60 | M12 | Length 130 mm | 110 |
| GBM12-30-150 | GBM12-40-150 | 60 | M12 | Length 150 mm | 130 |



Hinge set with aluminium plugs for garden gates

GBM12-DP (Patented)

Stainless steel garden gate hinge set with reinforced aluminium plugs for extra stability. The economical quality solution for all your garden/walk gate projects.

Specifications

- ✔ Hinge set with aluminium reinforced hinge post plugs
- ✔ Hinge axle M12 in stainless steel
- ✔ Plug available for profile 40x40 mm
- ✔ Length of the threaded axle: 130 mm or 150 mm
- ✔ Fixing: slide in plug

Hinge parts



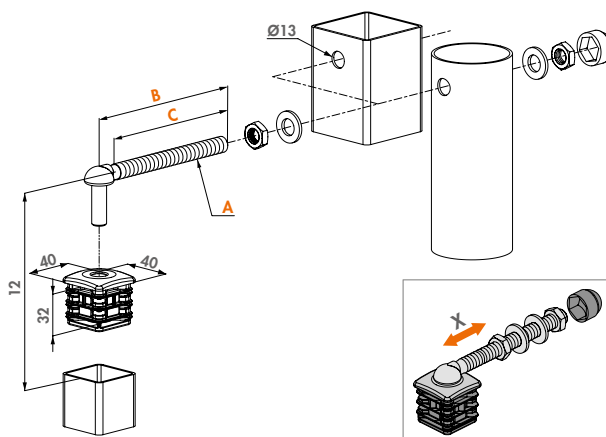
1040TPS-M12-
P. 134



DURA
P. 133

Order codes

| Hangerbolt length | kg | A | B | C |
|------------------------|----|-----|---------------|-----|
| GBM12-DP-40-130 | 75 | M12 | Length 130 mm | 110 |
| GBM12-DP-40-150 | 75 | M12 | Length 150 mm | 130 |





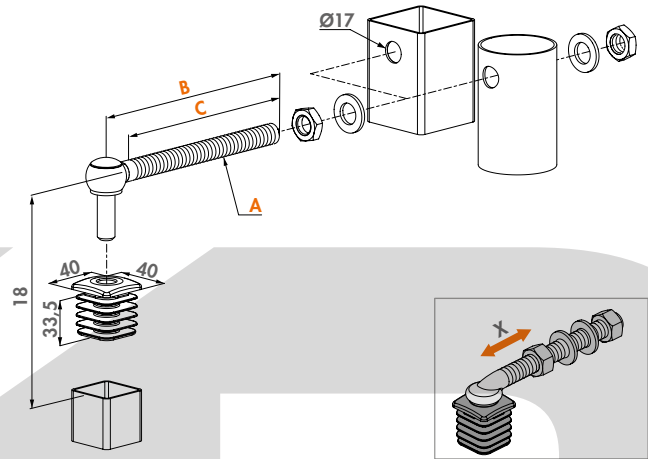
Hinge set with polyamide plugs for garden gates

GBM16

Hot-dip galvanized hinge set. The set consist of 2 threaded M16 hinge axles with polyamide hinge plugs. The economical quality solution for all your garden/walk gate projects.

Specifications

- ✓ With plastic hinge plug 40x40 mm
- ✓ Hinge axle M16 in hot-dip galvanized steel
- ✓ Length of the threaded axle: 160 mm or 180 mm
- ✓ Fixing: slide in plug



Hinge part



1040HDSM16-
P. 134

Order codes

Hangerbolt length

GBM16-40-160

GBM16-40-180

kg

75 kg

75 kg

A

B

C

M16 Length 160 mm 135

M16 Length 180 mm 155

Hinges for small gates

Hinge set with aluminium plugs for garden gates

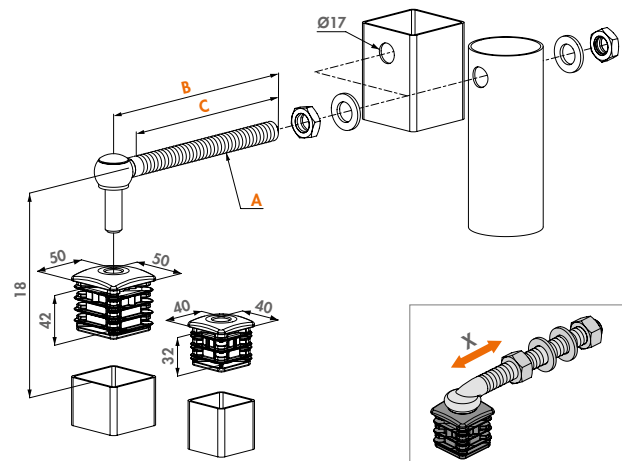
GBM16-DP (Patented)

Hot-dip galvanized steel garden gate hinge-set with reinforced aluminium plugs for extra stability. The economical quality solution for all your garden/walk gate projects.



Specifications

- ✓ Hinge set with aluminium reinforced hinge post plugs
- ✓ Hinge axle M16 in hot-dip galvanized steel
- ✓ Plug available for profile 40x40 mm or 50x50 mm
- ✓ Length of the threaded axle: 160 mm or 180 mm
- ✓ Fixing: slide in plug



Hinge parts



1040HDSM16-
P. 134

DURA
P. 133

Order codes

For square profiles 40 x 40 mm

For square profiles 50 x 50 mm

kg

GBM16-DP-40-160

GBM16-DP-50-160

100 kg

A

B

C

M16 Length 160 mm 135

GBM16-DP-40-180

GBM16-DP-50-180

100 kg

M16 Length 180 mm 155



Hinge set for garden gates

GAM12

Stainless steel garden gate hinge set. The set consists of 2 threaded M12 hinge axes with 2 black steel welding ears. The economical quality solution for all your garden/walk gate projects.

Specifications

- ✓ Hinge axle M12 in stainless steel
- ✓ Length of the threaded axle: 130 mm or 150 mm
- ✓ Welding ear in black steel

Hinge parts



1040TPS-M12-
P. 134



1041-01
P. 133

Order codes

Hangerbolt length

GAM12-130

GAM12-150



100 kg

100 kg

A

M12

M12

B

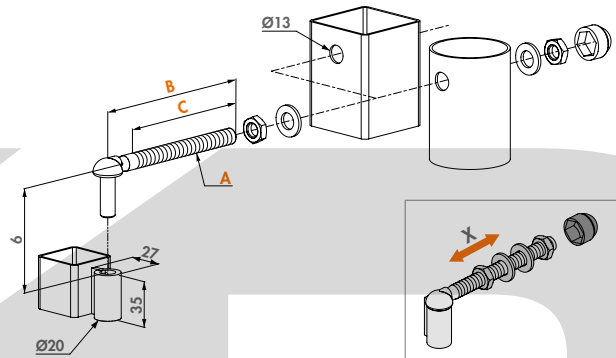
Length 130 mm

Length 150 mm

C

110

130



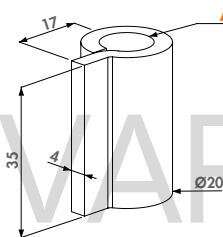
Welding ear in black steel

1041-01

Welding ear in black steel. Compatible with hinge axle 1040TPS-M12. Just weld on the ear to your gate and it's ready for coating. A basic hinge solution for your small garden gates.

Specifications

- ✓ Component of the GAM12 hinge



Order code

1041-01

A

For hangerbolt axle Ø12

Aluminium reinforced post plug for hinges

DURA (Patented)

Hinge plug reinforced with aluminium for extra stability.



Specifications

- ✓ Aluminium reinforced hinge plug

Order codes

For 1040-TPS-M12

DURA-4040-12

For 1040-HDS-M16

DURA-4040-16

DURA-5050-16

A

32

47,3

B

40

50

C

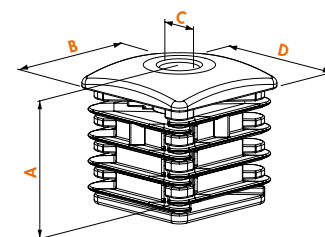
Ø11/Ø14

Ø14

D

40

50





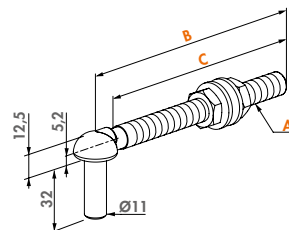
Stainless steel hinge axle M12

1040TPS-M12-

Stainless steel hinge axle M12. Available in 2 versions: 130 or 150 mm.

Specifications

- ✔ Stainless steel M12 hangerbolt



Order codes

Hangerbolt length

1040TPS-M12-130

1040TPS-M12-150

| | A | B | C |
|-------------------|---|---|-----|
| M12 Length 130 mm | | | 110 |
| M12 Length 150 mm | | | 130 |



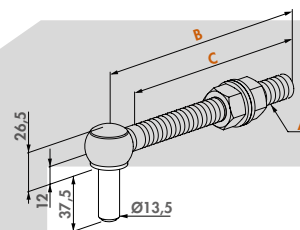
Hot-dip galvanized hinge axle M16

1040HDSM16-

Hot-dip galvanized hinge axle M16. Compatible with hinge plug DURA-4040-16 and DURA-5050-16.

Specifications

- ✔ Hot-dip galvanized hangerbolt M16



Order codes

Hangerbolt length

1040HDS-M16-160

1040HDS-M16-180

| | A | B | C |
|-------------------|---|---|-----|
| M16 Length 160 mm | | | 135 |
| M16 Length 180 mm | | | 155 |





Hinges for
small gates



KOVOPLOTOVARY.CZ

Drop bolts & Ground catchers

The Locinox range of drop bolts and ground stops offers a wide array of solutions. From the economical VSF dropbolt to our internal SUBY dropbolt, which is the top of the line in terms of ease of use and aesthetics.



138 Drop bolts



142 Ground catchers



KOVO POLOTOVARY.CZ

Internal drop bolt

SUBY (Patented)

Internal aluminium drop bolt. The drop bolt is operated at a convenient height. The aesthetical solution for all your double-wing gates.

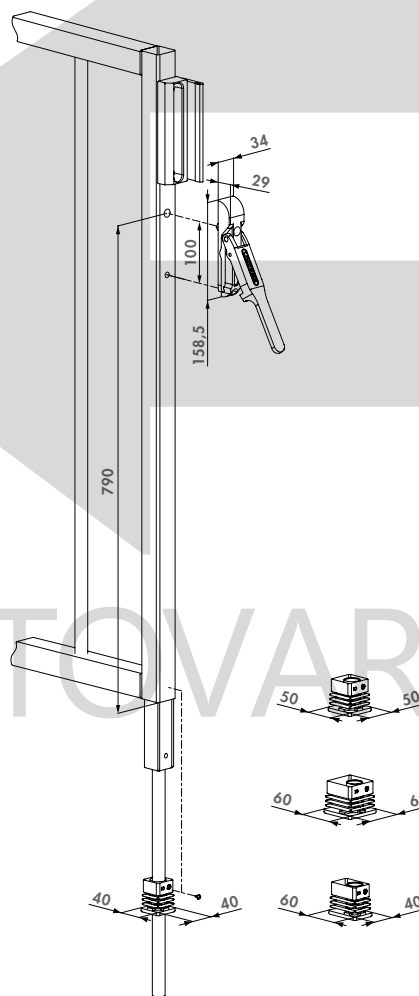


Color options

6005 6009 9005 ZILV

Specifications

- ✔ Height adjustability of the drop bolt: 100 mm
- ✔ Throw: 120 mm
- ✔ Internal dropbolt in aluminium
- ✔ Steel handle with black overmoulded POM provides the optimal combination between robustness, ergonomy and protection against corrosion
- ✔ Internal push spring guarantees a perfect closure (even if the drop bolt is blocked by dirt inside the ground stop) and prevents overpressure
- ✔ Designed for profiles up to 3 mm thick
- ✔ Fast & easy fixing: 2 screws
- ✔ User-friendly manipulation of the drop bolt at a convenient height
- ✔ For gate profiles: 40x40 mm, 50x50 mm, 60x60 mm and 60x40 mm



Order code

SUBY For gate profiles 40x40 mm, 50x50 mm, 60x60 mm and 60x40 mm



Compatible ground stops



CGS
P. 142



EGS
P. 143



Motorised electrical drop bolt

ELECTRADROP (Patented)

Electric 24V drop bolt with 115 mm throw for safe locking of automated swing gates. By securing your gate with an Electradrop you disburden the electric gate motors.

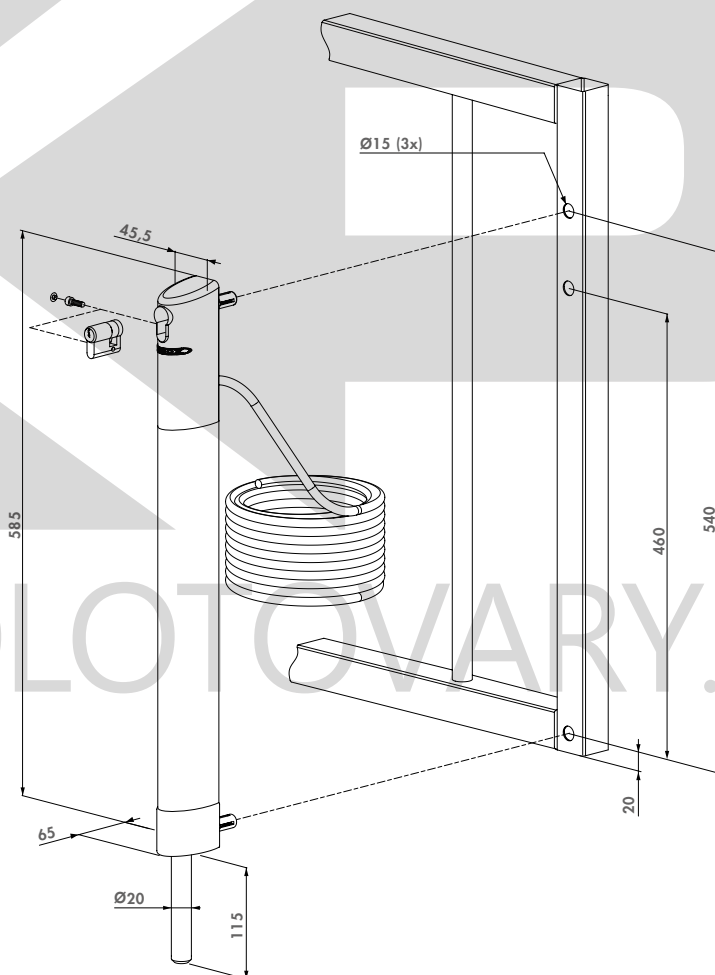


Color options

ZILV 9005

Specifications

- ✓ Vandal-proof, powder coated aluminium housing
- ✓ To be connected to the warning light on automated gates (min 3 sec prewarning signal) or directly on the gate automation
- ✓ Mechanical release possible (by key) in case of emergency
- ✓ Fitted with relay for drop bolt detection
- ✓ Obstacle detection with automatic stop of the drop bolt in case of a pressure exceeding 18 kg
- ✓ Consumption: 25 W / Standby: 0,2 W
- ✓ 5 m cable included
- ✓ Included: 3012-37-STD cylinder
- ✓ To connect to a Locinox DC-POWER-24V-25W power supply



Order code

ELECTRADROP For profiles 40 x 40 mm or more



Compatible ground stop & power supply



OGS
P. 142



DC-POWER-24V-25W
P. 46



Lockable drop bolt

KEYDROP (Patented)

Lockable drop bolt interchangeable with the standard VSA-VSF drop bolts. This product enables you to lock the drop bolt in open or closed position.

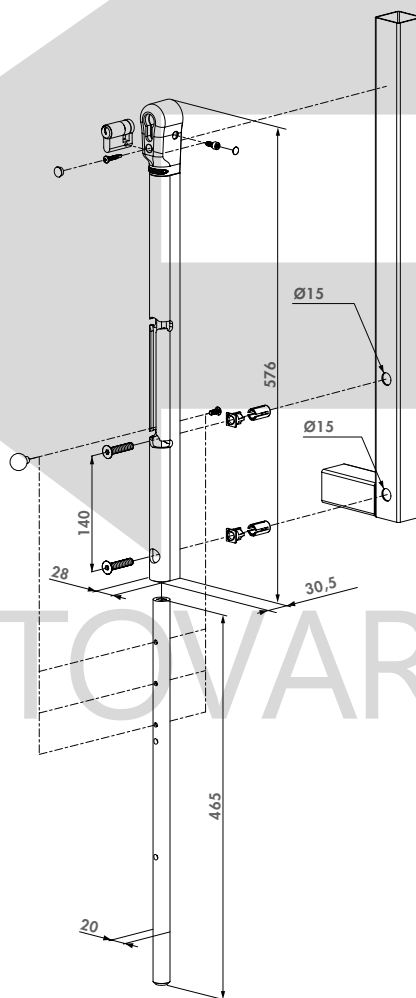


Color options

6005 6009 9005 7016 ZILV

Specifications

- ✔ Throw: 140 mm
- ✔ Lockable drop bolt with cylinder
- ✔ Same drilling pattern as VSF and VSA
- ✔ Possibility to work with same key as gatelock
- ✔ Height adjustability of the drop bolt: 100 mm
- ✔ Height adjustability in 3 positions: 50 mm / position
- ✔ The gate can be locked in open or closed position
- ✔ For gate profiles 30x30 mm or more



Order code

KEYDROP For profiles 40 x 40 mm or more



Compatible ground stops



OGS
P. 142



EGS
P. 143



Surface mounted drop bolt

VSA / VSF

Standard drop bolts with the innovative Quick-Fix. The drop bolt is auto-locked between the double wings.

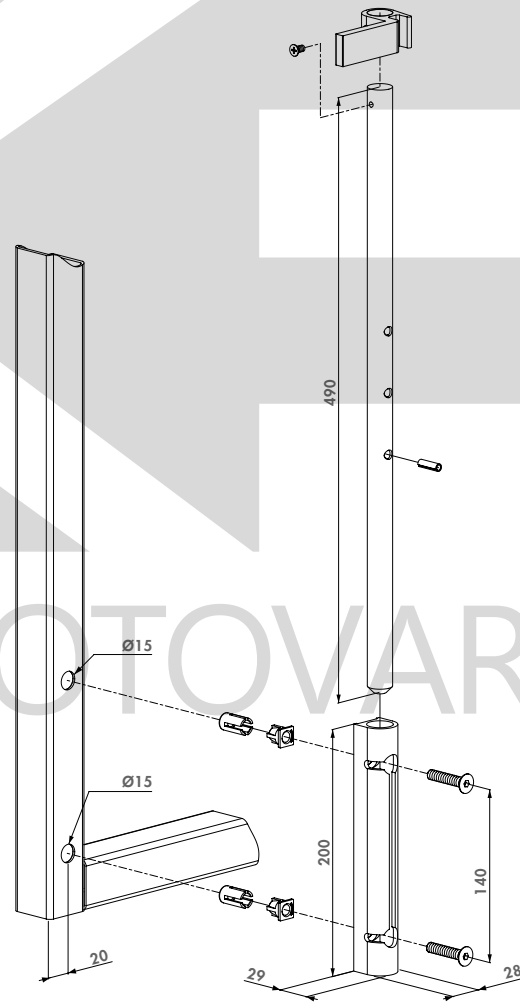


Color options

6005 6009 9005 9010 7016 ALUM

Specifications

- ✓ Type VSF: hot-dip galvanized pin
- ✓ Type VSA: aluminium pin
- ✓ With aluminium head block
- ✓ For profiles as of 40 mm or more
- ✓ Height adjustability of the drop bolt: 100 mm
- ✓ Throw: 140 mm
- ✓ Locks itself between the wings of the gate
- ✓ Fast and easy fixing with Quick-Fix
- ✓ Easy to retrofit



Order codes

VSA-K-QF1BL With pin in aluminium

VSF-K-QF1BL With hot-dip galvanized pin



Compatible ground stops



OGS
P. 142



EGS
P. 143

Centered ground stop

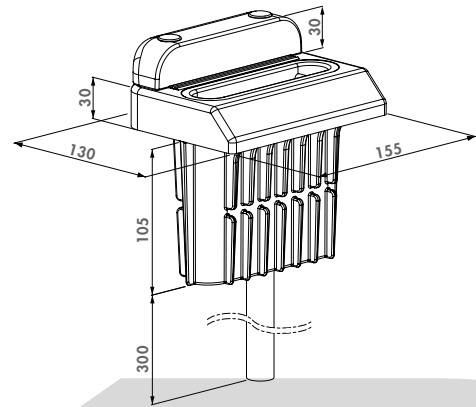
CGS

Strong ground stop for double wings. Advised in combination with the internal SUBY drop bolt. The CGS has a removable recipient for easy and fast cleaning.



Specifications

- ✔ Glass fiber reinforced polyethylene
- ✔ Only suitable with internal SUBY drop bolts
- ✔ Adjustable stop plate for 40 mm till 60 mm gate frames
- ✔ Removable polyamide cleaning recipient
- ✔ With water evacuation hose



Compatible drop bolt



SUBY
P. 138

Order code

CGS Adjustable stop plate for 40 mm to 60 mm gate frames

Off-centered ground stop

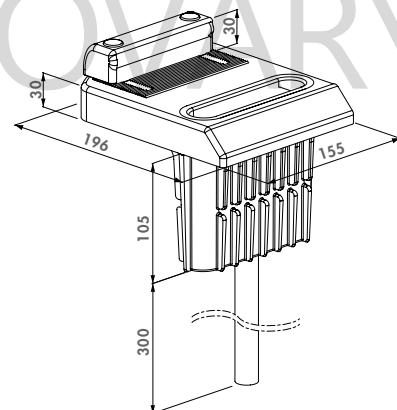
OGS

Strong ground stop for double wings. The OGS has a removable recipient for easy and fast cleaning of the ground stop.



Specifications

- ✔ Glass fiber reinforced polyethylene
- ✔ Suitable for surface mounted drop bolts (VSF - VSA - ELECTRADROP - KEYDROP)
- ✔ Adjustable stop plate for 40 mm till 60 mm gate frames
- ✔ Removable polyamide cleaning recipient
- ✔ With water evacuation hose



Compatible drop bolts



ELECTRADROP
P. 42



KEYDROP
P. 140



VSA / VSF
P. 141

Order code

OGS Adjustable stop plate for 40 mm to 60 mm gate frames

Economic ground catcher

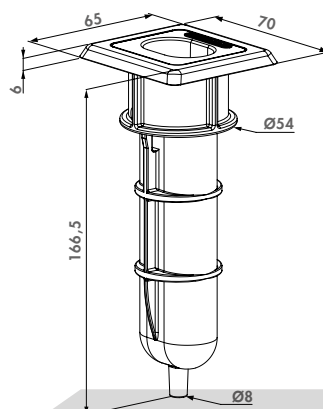
EGS

Economic ground catcher for drop bolts with maximum axle of $\varnothing 20$ mm. With draining hole.



Specifications

- ✔ Simple and economic ground stop to put into concrete
- ✔ Without stop plate
- ✔ Hot-dip galvanized base-plate with polypropylene catcher
- ✔ For drop bolts with a maximum axle of $\varnothing 20$ mm



Compatible drop bolts



SUBY
P. 138



KEYDROP
P. 140



VSA / VSF
P. 141



ELECTRADROP
P. 42

Order code

EGS Economic ground stop, without stop plate



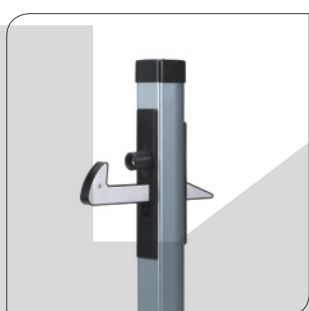


KOVOPRO

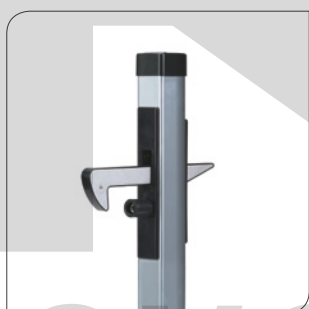
KOVOPRO

Gate catchers

Gate catchers hold your gate open without inflicting any damage. They are adjustable in height to fit your gate and the used profiles. The gate catchers are made of aluminium or hot-dip galvanized steel.



146 Hot-dip galvanized gate catchers



147 Aluminium gate catchers



KOVO POLOTOVARY.CZ



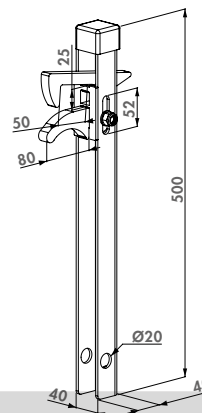
Gate hold-back catch hot-dip galvanized

ABK

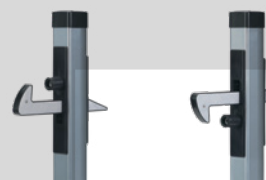
Hot-dip galvanized gate catcher to put into concrete. The catch hook is 52 mm adjustable in height. The ABK is developed to catch a horizontal profile. For gate profiles up to 50 mm.

Specifications

- ✔ Hot-dip galvanized U-profile in steel
- ✔ Tumble element in aluminium
- ✔ Height adjustability: 52 mm



Alternative gate catchers



UGC
P. 147

IGC
P. 147

Order code

ABK For gate profiles with a max. width of 50 mm



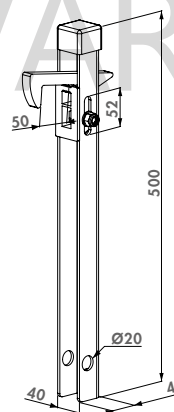
Gate hold-back catch hot-dip galvanized

ABL

Hot-dip galvanized gate catcher to put into concrete. The catch hook is 52 mm adjustable in height. For gate profiles up to 50 mm.

Specifications

- ✔ Hot-dip galvanized U-profile in steel
- ✔ Stainless steel bolt
- ✔ Tumble element in aluminium
- ✔ Height adjustability: 52 mm



Alternative gate catchers



UGC
P. 147

IGC
P. 147

Order code

ABL For gate profiles with a max. width of 50 mm



Aluminium gate hold-back catch

UGC

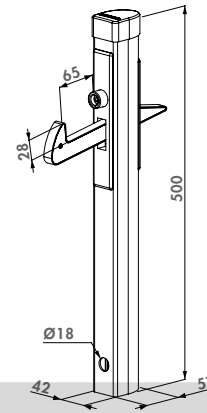
Aluminium gate catcher. The adjustable catch hook can easily be reversed. The stop rubber and polyamide catch hook avoid damaging the gate frame. Very fast and strong fixing in concrete. For gate profiles from 40 mm till 60 mm. Simple height adjustment of 40 mm.

Color options

ZILV

Specifications

- ✔ Aluminium silver coated chassis
- ✔ Anchoring holes for concrete
- ✔ Height adjustability of the catch hook: 40 mm
- ✔ Stop rubber and polyamide catch hook avoid damaging the gate frame
- ✔ Stop rubber adjustable for profiles 40 mm till 60 mm
- ✔ Reversibility of the catch hook: pre-mounted with hook up
- ✔ Catches underside of the gate



Order code

UGC Under-gate Catcher for 40 mm till 60 mm



Aluminium gate hold-back catch

IGC

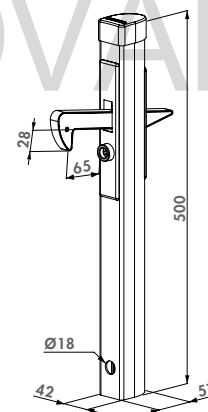
Aluminium gate catcher. The adjustable catch hook can easily be reversed. The stop rubber and polyamide catch hook avoid damaging the gate frame. Very fast and strong fixing in concrete. For gate profiles from 40 mm till 60 mm. Simple height adjustment of 40 mm.

Color options

ZILV

Specifications

- ✔ Aluminium silver coated chassis
- ✔ Anchoring holes for concrete
- ✔ Height adjustability of the catch hook: 40 mm
- ✔ Stop rubber and polyamide catch hook avoid damaging the gate frame
- ✔ Stop rubber adjustable for profiles 40 mm till 60 mm
- ✔ Reversibility of the catch hook: pre-mounted with hook down
- ✔ Catches upper side of the gate



Order code

IGC In-gate Catcher for 40 mm till 60 mm



Tooling

Locinox guarantees a quick, qualitative and perfect installation thanks to the in-house developed calibres.



150 Tools for locks & keeps



152 Tools for gate closers



156 Miscellaneous

KOVO POLOTOVARY.CZ



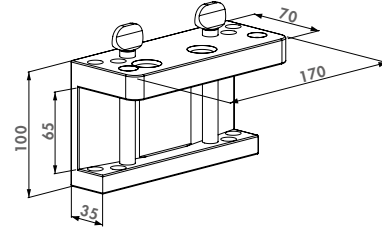
Drilling jig

3970LA

Drilling jig to prepare the gate-/strike-post for swing gate locks and according keeps. The jig can be adjusted for profiles 40-50-60 mm. The jig guarantees a perfect center alignment of the Locinox lock/keep on your posts.

Specifications

- ✓ Drilling jig for surface mounted swing gate locks and its keeps
- ✓ Adjustable for profiles from 40-50-60 mm



Order code

3970LA

For swing gate locks



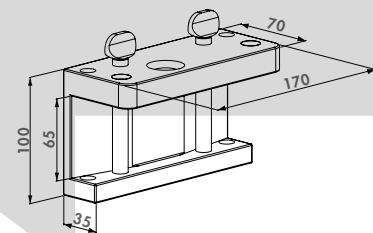
Drilling jig

3970LS

Drilling jig to prepare the gate- and strike-post for sliding gate locks and according keep. The jig can be adjusted for profiles 40-50-60 mm or 60-80 mm according to the version. The jig guarantees a perfect center alignment of the Locinox lock/keep on your posts.

Specifications

- ✓ Drilling jig for: LS, LL, LG locks and SSKZ QF keep
- ✓ Available in two versions: for profiles from 40-50-60 mm or 60-80 mm



Order codes

3970LS-4060

For sliding gate locks 40-50-60 mm

3970LS-6080

For sliding gate locks 60-80 mm

Drilling bit Ø 15 mm with drill-chuck Ø 13 mm

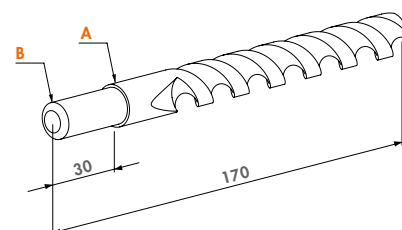
DRILLØ15

HSS drill with Ø 15 mm and drill-chuck Ø 13 mm. Fits any drilling machine.



Specifications

- ✓ Drilling bit Ø15 mm with drill-chuck Ø13 mm
- ✓ For preparation of your profiles
- ✓ For use with the drilling jig 3970LA



Order code

DRILLØ15

A B
Ø15 mm Ø13 mm

NEW Tool case with drilling jig for surface mounted lock and corresponding keep

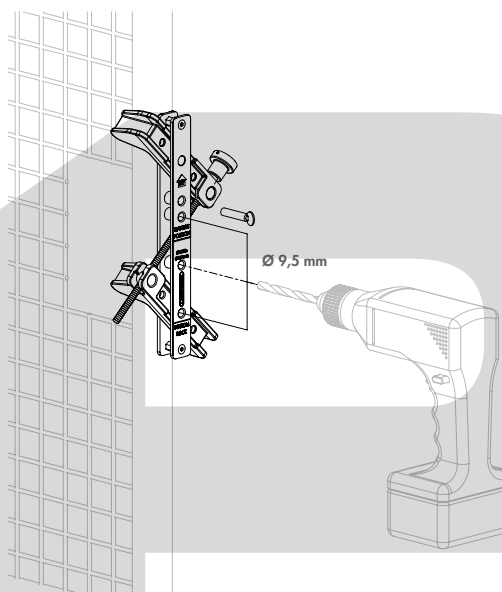
DRILL-FIX



Quickly and accurately install Locinox surface mounted locks and keeps with our brand new Drill-Fix jig. This jig is designed to self-center on square or round posts, and guarantees perfect alignment. This will allow you to easily drill the 4 hole pattern for the lock or the two holes necessary for the keep. The Drill-Fix comes in a sleek and sturdy case that includes all the necessary accessories to install Locinox locks and keeps.

Specifications

- ✔ Tool case with self-centering drilling tool for fast assembly of Locinox surface mounted gate locks and keeps
- ✔ Drill jig can be used for round, square or rectangular profiles from 30 up to 76 mm
- ✔ Includes 3 drill bits (Ø9,5 mm, Ø15 mm, Ø18 mm)
- ✔ Installation of Locinox surface mounted locks and keeps in 4 easy steps
- ✔ Includes Locitool LA
- ✔ Includes Allen Key and positioning pin



Order code

DRILL-FIX Tool case with drilling jig for lock and keep

4 Easy installation steps



Compatible locks



LAKQ U2
P. 59



LDKZ D1
P. 65



LMKQ V2
P. 66



LAKQ H2
P. 71

Compatible keeps



MODULEC-SA
P. 29



SAKL QF
P. 95



SHKL QF
P. 95



SMKL QF
P. 96



NEW Installation and drilling jig for Tiger gate closer

TIGERDRILL

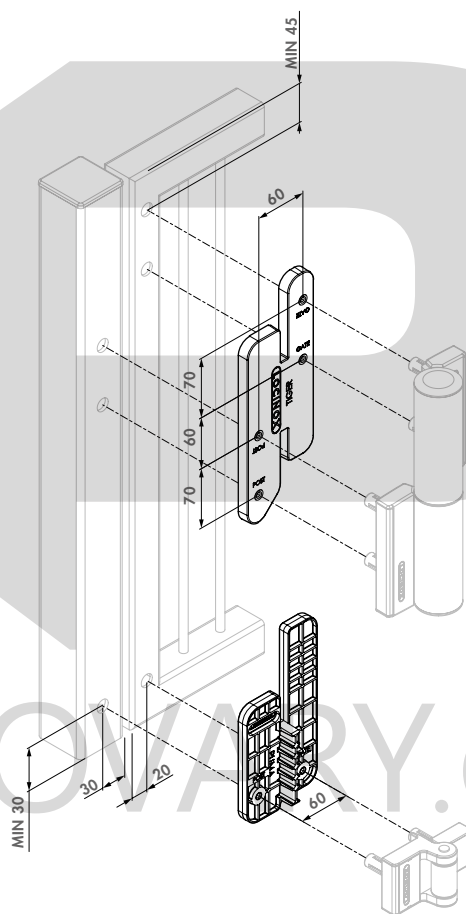


Tool case with installation and drilling jig to perfectly align and install the Tiger gate closer and its Puma hinge. This tool guarantees perfect alignment and a fast and easy installation. No measuring needed, just fix the tool on the post, drill the holes, install the Tiger and Puma, and close the gate.



Specifications

- ✓ 2 supplied drills $\varnothing 5$ / $\varnothing 15$ mm
- ✓ Spare set with 10 Quick-Fix expanders
- ✓ Solid plastic box with compartments for convenient storage
- ✓ Including accessories for mounting and adjustment of Tiger
- ✓ Recommended to be combined with Drillvise-IV



Order code

TIGERDRILL Installation and drilling jig for Tiger gate closer

Recommended accessories



DRILLVISE-II
P. 155



DRILLVISE-IV
P. 155

NEW Assembly and drill calibre for Rhino gate closer

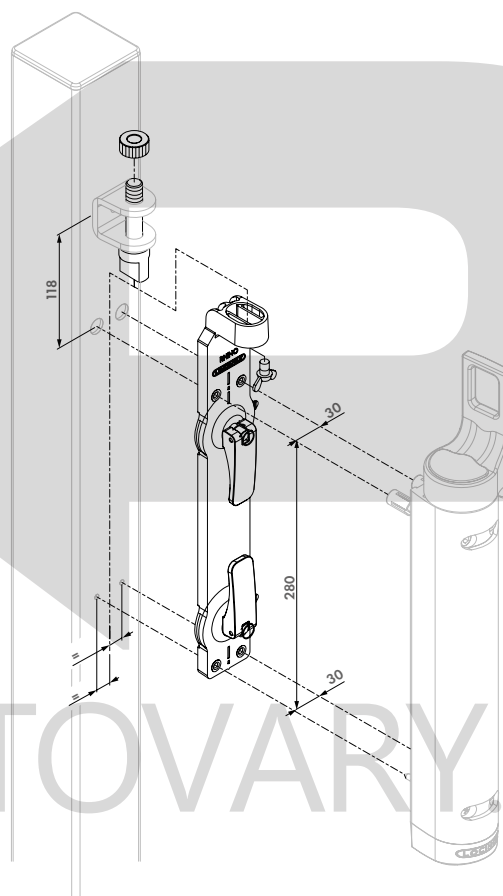
RHINODRILL

Toolbox with installation kit to drill holes when mounting Rhino gate closer on Locinox hinges. Rhino uses the hinge to close the gate. This tool guarantees a perfect alignment of the Rhino gate closer to the existing hinge. No more measuring: fix, drill, install and ready.



Specifications

- ✓ 2 supplied drills $\varnothing 5$ / $\varnothing 15$ mm
- ✓ Spare set with 10 Quick-Fix expanders
- ✓ Solid plastic box with compartments for convenient storage
- ✓ Positions Rhino perfectly with regards to the Locinox hinge
- ✓ Including accessories for assembly and adjustment of Rhino



Order code

RHINODRILL Assembly and drill calibre for Rhino gate closer

Recommended accessories



DRILLWISE-II
P. 155



DRILLWISE-IV
P. 155

NEW Assembly and drill calibre for Lion and Verticlose-2 gate closers

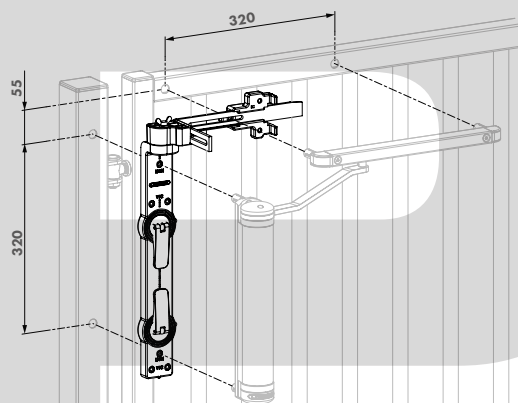
LION-VTC-DRILL

Toolbox with the required tools to install both Lion and Verticlose-2 gate closers very quickly and efficiently. The Lion-VTC Drill guarantees a flawless alignment of the gate closer in relation to the gate. No more measuring - just fix, drill, install and ready. Highly recommended.



Specifications

- ✔ Sturdy box with compartments
- ✔ Spare set with 10 Quick-Fix expanders
- ✔ 2 supplied drills Ø5 / Ø15 mm



Order code

LION-VTC-DRILL Installation and drilling jig for Lion & VTC-2 gate closers

Related products



DRILLVISE-II
P. 155



DRILLVISE-IV
P. 155

Clamp set for gate frame positioning

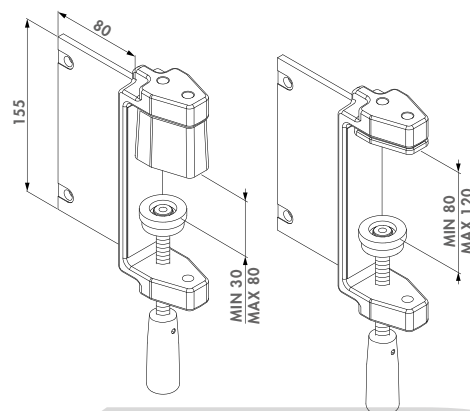
DRILLWISE-II

Handy toolbox with all components to position the gate frame as opposed to the fixed post upon assembly of the hinges, gate closers and other accessories.



Specifications

- ✔ Solid plastic box with compartments for convenient storage
- ✔ 2 special clamps with 30-120 mm adjustability with support plates to position gate frames
- ✔ Strong steel clamp with padding to avoid damage



Related products



TIGERDRILL
P. 152



RHINODRILL
P. 153

Order code

DRILLWISE-II Clamp set for gate frame positioning

Toolbox with 4 Locinox clamps

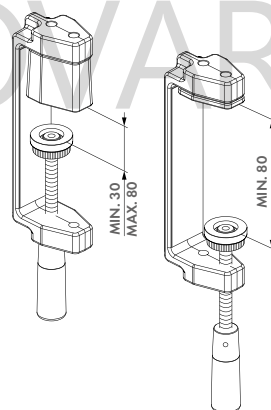
DRILLWISE-IV

Toolbox with set of 4 clamps to fix drill tools and accessories for assembly or installation. Perfect when combined with Tigerdrill for installation of the Tiger gate closer.



Specifications

- ✔ Solid plastic box with compartments for convenient storage
- ✔ 4 special clamps with 30-120 mm adjustability
- ✔ Strong steel clamp with padding to avoid damage
- ✔ Soft plastic mounting surfaces guarantee a perfect grip without risk of damage



Related products



TIGERDRILL
P. 152



RHINODRILL
P. 153

Order code

DRILLWISE-IV Toolbox with 4 Locinox clamps



Stainless steel fixation bolt with high pulling resistance

QUICK-FIX (Patented)

Quick-Fix guarantees an easy, fast and highly robust mounting. The new generation of the Quick-Fix can be reused completely many times thanks to its innovative design.

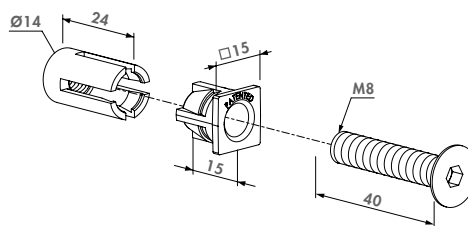
Specifications

- ✔ Patented mounting system out of stainless steel
- ✔ Very strong: 1.000kg pulling resistance
- ✔ Innovative design which guarantees reuse of the Quick-Fix
- ✔ Short version: for profiles with thickness till 5 mm
- ✔ Long version: for profiles with thickness from 4 till 8 mm

Order code

QUICK-FIX

Patented mounting system



Quick-Fix Expander 17 mm / 24 mm

QF-EXP

Spare expanders of the old Quick-Fix in case of loss or maintenance.

Specifications

- ✔ Available in lengths of 24 mm for min. profile 40 (recommended) or 17 mm for profile 30 mm

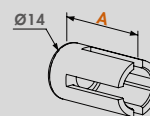
Order codes

QF-EXP-M8-17

A
Length 17 mm

QF-EXP-M8-24

Length 24 mm



Quick-Fix

The unique Quick-Fix fastening system guarantees an extremely secure fixing on all your gates and fences. As a unique patented solution, Quick-Fix ensures an assembly which is twice as quickly.

QUICK ASSEMBLY

Quick-Fix is pre-assembled on the product. You win valuable time on site, which allows you to be quicker with your next customer. You only need to drill the required 15 mm holes, place the product on the holes, fix and ready!

FIRM ANCHORING

With its 1,000 kg tensile strength a firm anchoring is always guaranteed. Quick-Fix is available for profiles with a wall thickness from 1 up to 5 mm.

CORROSION FREE

Locinox relies upon the best materials. This also applies to Quick-Fix which is 100% made of premium stainless steel. Quick-Fix easily passes the 1,000h salt spray test. Want to know more? Watch the video on our website.





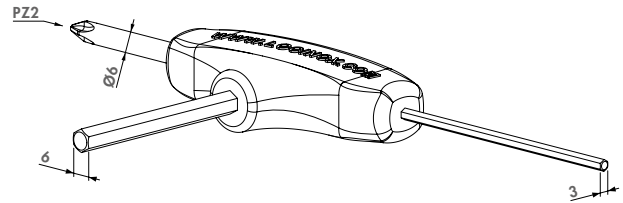
Handy mounting tool for locks

LOCITOOL LA

Mounting tool for surface mounted gate locks. The Locitool has a 3 mm Allen key for the adjustment of the bolts and fixing of the handles. With the 6 mm Allen key you can fix all Locinox locks. The screwdriver can be used to change the cylinder, open the lock box or change the daybolt from right to left-turning.

Specifications

- ✔ Easy and robust installation tool for a complete installation and adjustment of any Locinox lock
- ✔ Screwdriver to change the self-latching bolt, cylinder and lockbox



Order code

LOCITOOL LA

Mounting tool for locks



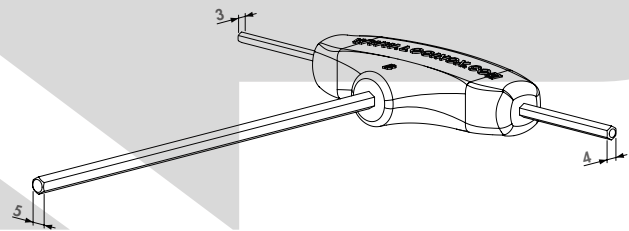
Handy mounting tool for gate closers

LOCITOOL LB

Mounting tool for gate closers. The Locitool has an M3 Allen key for the adjustment of the closing speed and power of the gate closer. With the M4 Allen key you can adjust the closing power of the gate closers. The M5 Allen key is used for the Quick-Fix.

Specifications

- ✔ Easy and robust installation tool for a complete installation and adjustment of any Locinox gate closer



Order code

LOCITOOL LB

Mounting tool for gate closers



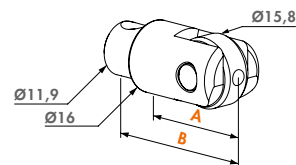
Adjustable rollerbolt

ROLLTOP

Stainless steel rollerbolt for swing gate locks. The standard chamfered self-latching top can be replaced with the rollerbolt. This ensures a smooth closing of the lock into the keep. The rollerbolt has a bolt adjustment-hole for finetuning your Locinox lock.

Specifications

- ✔ Adjustable rollerbolt in stainless steel
- ✔ Facilitates closing the gate
- ✔ Compatible with all surface mounted Locinox gate locks



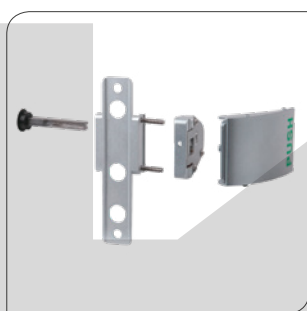
Order codes

| | A | B |
|------------|----|----|
| ROLLTOP-30 | 18 | 28 |
| ROLLTOP-40 | 26 | 36 |
| ROLLTOP-60 | 46 | 56 |



Accessories

Modularity, compatibility and flexibility within our product range give you an endless amount of solutions. Build your own product to fit your production processes and product range. Locinox makes sure your orders are handled quickly and correctly.



160 Handles



168 Adaptor plates

173 Cylinders

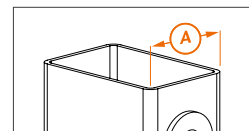


177 Accessories for gates

179 Post plugs & caps

181 Security strips

i Handle compatibility



| | SURFACE MOUNTED LOCKS | INSERT LOCKS | | | |
|----------|-----------------------|--------------|---------------------|----------|----------|
| | | A = 30mm | A = 40mm | A = 50mm | A = 60mm |
| 3006C | | ✓ | ✓ | | |
| 3006I | | ✓ | ✓ | ✓ | |
| 3006D | | ✓ | ✓ | | |
| 3006M | | ✓ | ✓ | | |
| 3006J | | ✓ | ✓ | ✓ | |
| 3006R | | ✓ | | | |
| 300FA | | ✓ | ✓ | | |
| 3006P | | ✓ | only for P1 lockbox | | |
| 3006G | | ✓ | ✓ | ✓ | |
| 3006C-H | | | | | ✓ |
| 3006I-H | | | | ✓ | ✓ |
| 3006M-H | | | | ✓ | ✓ |
| 3006J-H | | ✓ | ✓ | ✓ | ✓ |
| 3006R-2 | | ✓ | ✓ | | |
| KIDLOC-2 | | ✓ | | | |
| KIDLOC | | ✓ | ✓ | ✓ | |
| 3006KR | | ✓ | | | |
| PUSHBAR | | ✓ | ✓ | ✓ | |
| 3006PUSH | | ✓ | | | |
| 3006T11 | | ✓ | | | |



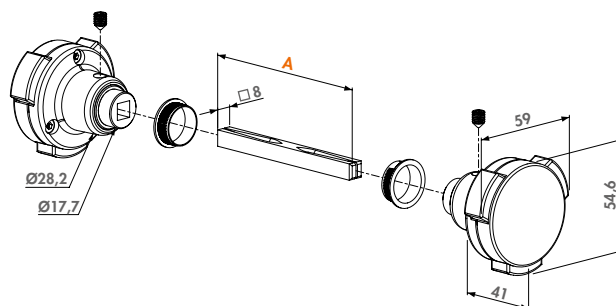
Childproof security knob

KIDLLOC (Patented)

Anodized aluminium and polyamide security knob providing child safety. At least one button must be pressed while turning the knob. Impossible for children younger than 5 years, conform to swimming pool standard NF P90-306.

Specifications

- ✓ Polyamide and stainless steel
- ✓ For all locks with a 8 mm follower
- ✓ Security knob for swimming pools, playgrounds, kennels,...
- ✓ Conform with the swimming pool safety standard NF P90-306



Order code

Security knob

KIDLLOC

A

Follower length 90 mm



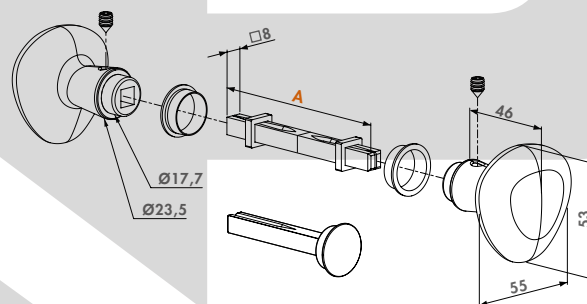
Aluminium handle blocking set

3006KR

Aluminium round knob set. The kit allows following combinations: one side fixed with one side operational, both sides fixed or one side blinded. The set is advised in combination with all aluminium lock boxes when access control is needed and highly recommended with electric keeps.

Specifications

- ✓ The kit permits the following combinations:
- ✓ 1 side fixed - 1 side movable or 1 side blinded
- ✓ 2 sides fixed
- ✓ 2 sides movable
- ✓ Highly recommended with Locinox electric keeps



Order code

Aluminium handle blocking set

3006KR

A

Follower length 90 mm

Handle set 3006PULL

3006PULL

Aluminium powder coated handle set with elegant design. This handle set can be used in combination with our MAGMAG locks (e.g. if used top/bottom).



Color options

ZILV **9005**

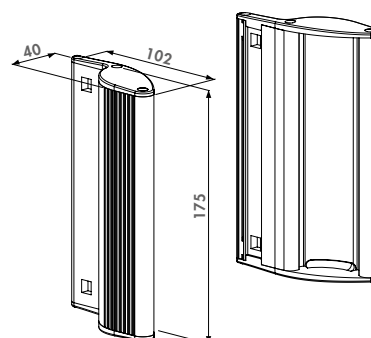
Specifications

- ✓ Aluminium powder coated handle
- ✓ Combination possible with MAGMAG lock on top and bottom
- ✓ Matching design with our magnetic locks

Order code

Aluminium powder coated handle set

3006PULL



Fixation bolts not included

Push handle set in aluminium

3006PUSH



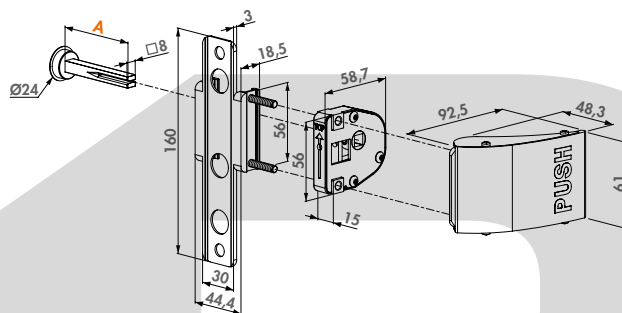
Push handle set for easy opening of the gate by a simple push. The 3006PUSH replaces the standard handle, can be quickly installed on new or existing locks and operates the daybolt. One side blinded.

Color options

ZILV

Specifications

- ✓ The set is adaptable on all surface mounted Locinox locks with aluminium U-lock box
- ✓ The 3006PUSH replaces the handles
- ✓ Facilitates opening the gate



Order code

Push-set in aluminium

3006PUSH

Follower length 60,5 mm



NEW Aluminium push bar for insert locks

PUSHBAR-H-

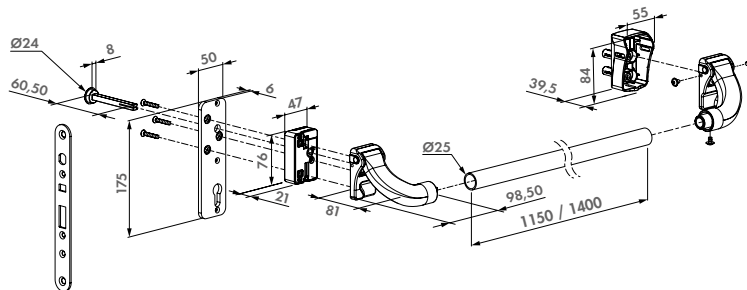
Push bar for an easy opening and a free exit of a gate by a simple push. The aluminium PUSHBAR replaces the standard handle, operates the daybolt and can quickly be installed on new or existing Locinox hybrid insert locks. The PUSHBAR is available in a short version (1150 mm) and a long version (1400 mm). The push bar can however be perfectly shortened to fit any gate.

Color options

9005

Specifications

- ✓ Black powder coated aluminium push bar with stainless steel mechanism
- ✓ Only compatible with H-Metal, H-Wood and Sixtylock
- ✓ Easy & fast mounting: Quick-Fix
- ✓ For left and right turning gates
- ✓ Blinded 8 mm follower included
- ✓ Possible to combine with half handle sets with 8 mm follower
- ✓ Maximum width: 1,30 m for 1150 mm version and 1,55 m for 1400 mm version



Compatible locks



H-METAL
P. 83

H-WOOD
P. 89

SIXTYLOCK
P. 82

Order codes

PUSHBAR-H-1150 Aluminium push bar for insert locks - Length 1150mm

PUSHBAR-H-1400 Aluminium push bar for insert locks - Length 1400mm



NEW Push bar in aluminium for surface mounted gate locks

PUSHBAR-L-

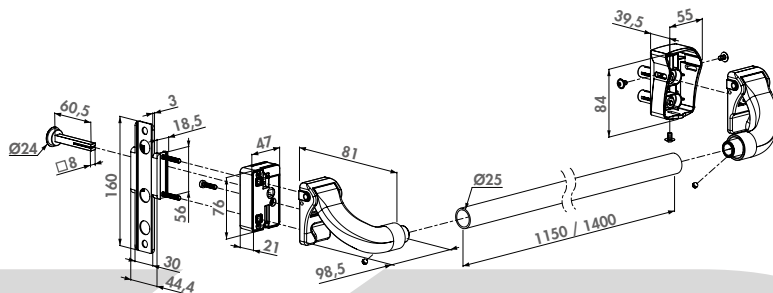
Push bar for an easy opening and a free exit of a gate by a simple push. The aluminium PUSHBAR replaces the standard handle, operates the daybolt and can quickly be installed on new or existing Locinox surface mounted gate locks (LA, LP and LF chassis). The PUSHBAR is available in a short version (1150 mm) and a long version (1400 mm). The push bar can however be perfectly shortened to fit any gate.

Color options

9005

Specifications

- ✔ Black powder coated aluminium push bar with stainless steel mechanism
- ✔ For left and right turning gates
- ✔ Easy to install on the gate with Quick-Fix
- ✔ Blinded 8 mm follower included
- ✔ Possible to combine with half handle sets with 8 mm follower
- ✔ Maximum width: 1,30 m for 1150 mm version and 1,55 m for 1400 mm version



Compatible locks



LAKQ U2
P. 59

LPKQ U2
P. 63

LFKQ X1
P. 67

Order codes

PUSHBAR-L-1150 Aluminium push bar for surface mounted locks - Length 1150 mm

PUSHBAR-L-1400 Aluminium push bar for surface mounted locks - Length 1400 mm

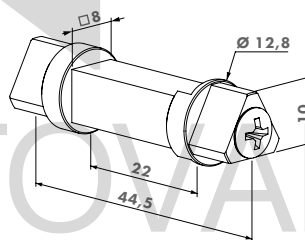
Triangular spindle

3006T11



Specifications

- ✔ Spindle in a triangular form of 11 mm to be used with triangle key
- ✔ Possible to insert in the handle opening of any LA lock



Order codes

3006T11

11 mm triangular spindle



LOCINOX



Handle pair made of anodized aluminium

3006C

Aluminium club-handle pair.

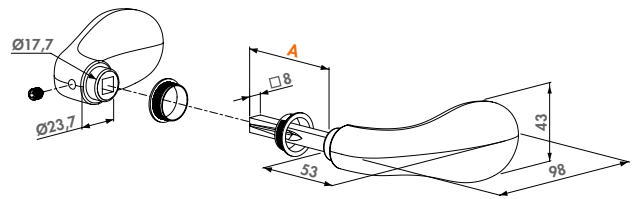
Specifications

- ✓ Handle pair made of anodized aluminium
- ✓ Square 8 mm follower

Order code

Aluminium handle pair

3006C



A

Follower length 60 mm



Handle pair made of anodized aluminium

3006M

Aluminium handle pair.

Specifications

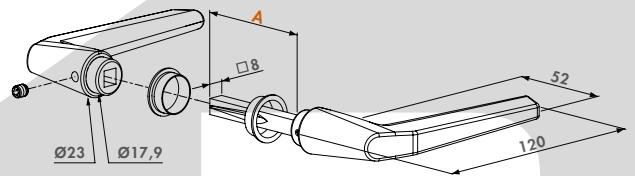
- ✓ Handle pair made of anodized aluminium
- ✓ Square 8 mm follower

Order codes

Aluminium handle pair

3006M

3006M-H



A

Follower length 60 mm

Follower length 120 mm



Anodized aluminium handle pair

3006J

Aluminium handle pair

Specifications

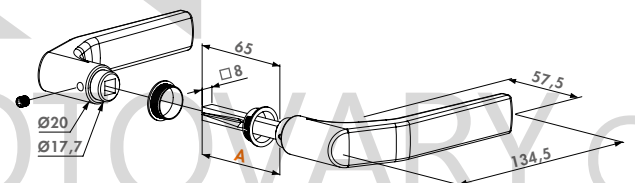
- ✓ Special design of the handle avoids bumping of the hand against the stop plate
- ✓ Square 8 mm follower

Order codes

Aluminium handle pair

3006J

3006J-H



A

Follower length 65 mm

Follower length 120 mm



Reinforced aluminium handle pair

3006S

Reinforced aluminium handle pair. Advised as a standard for all sliding gate locks. Resistant against high forces during opening and closing of the gate.

Specifications

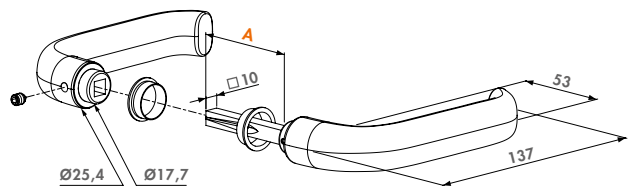
- ✓ Only applicable on Locinox sliding gate locks
- ✓ Square 10 mm follower

Order codes

Reinforced aluminium handle pair

3006S

3006S-H



A

Follower length 60 mm

Follower length 120 mm



Handle pair in zamac

3006FA

Zamac ornamental handle pair.

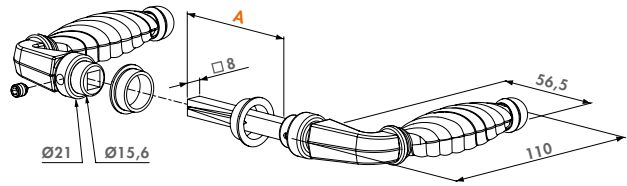
Specifications

- ✔ Handle pair in powder coated zamac
- ✔ Square 8 mm follower

Order code

Zamac handle pair

3006FA



A

Follower length 65 mm



Aluminium handle pair

3006D

Aluminium handle pair.

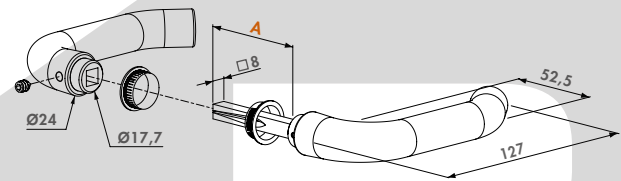
Specifications

- ✔ Handle pair made of anodized aluminium
- ✔ Square 8 mm follower

Order codes

Aluminium handle pair

3006D



A

Follower length 60 mm



Handle pair in stainless steel

3006I

Stainless steel handle pair.

Specifications

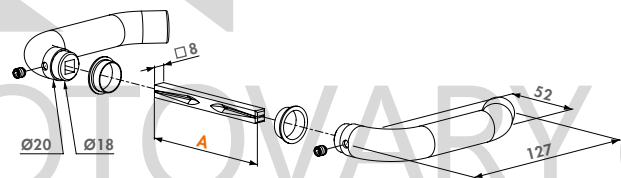
- ✔ Handle pair made of stainless steel
- ✔ Square 8 mm follower

Order codes

Stainless steel handle pair

3006I

3006I-H



A

Follower length 90 mm

Follower length 120 mm



Handle pair in polyamide

3006G

Handle pair in polyamide.

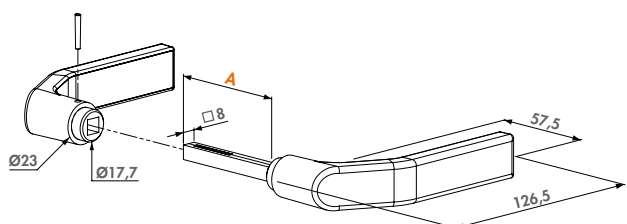
Specifications

- ✔ Square 8 mm follower
- ✔ Special design of the handle avoids bumping of the hand against the stop plate

Order code

Polyamide handle pair

3006G



A

Follower length 66,5 mm



Handle pair in polyamide

3006P

Polyamide handle pair.

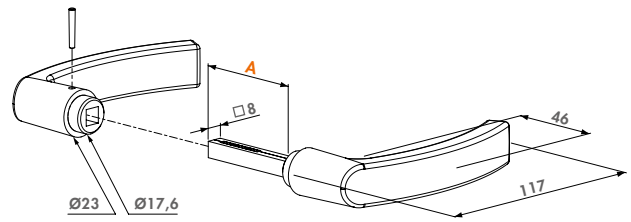
Specifications

- ✔ Square 8 mm follower
- ✔ Applicable with garden gate locks

Order code

Polyamide handle pair

3006P



A

Follower length 54 mm



Aluminium round knobs

3006R

Aluminium round handle pair.

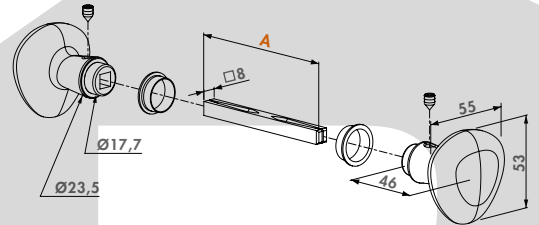
Specifications

- ✔ Round knobs in aluminium
- ✔ Square 8 mm follower

Order code

Aluminium handle pair

3006R



A

Follower length 90 mm





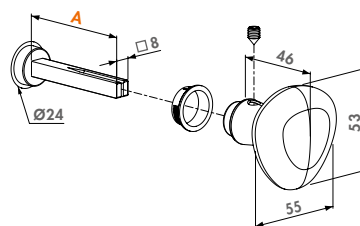
Half aluminium round handle

3006R-2

Half aluminium round handle. One side blinded.

Specifications

- ✓ Round knob in aluminium
- ✓ Square 8 mm follower



Order code

Aluminium round knob

3006R-2

A

Follower length 60 mm



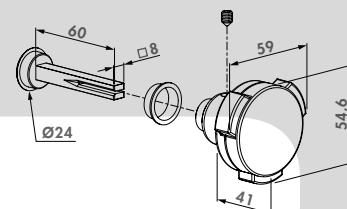
Childproof security knob half handle

KIDLOC-2

Half handle anodized aluminium and polyamide security knob providing child safety. At least one button must be pressed while turning the knob. Impossible for children younger than 5 years, conform to swimming pool standard NF P90-306.

Specifications

- ✓ Polyamide and aluminium
- ✓ For all locks with a 8 mm follower
- ✓ Security knob for swimming pools, playgrounds, kennels,...
- ✓ Conform with the swimming pool safety standard NF P90-306



Order code

Security knob

KIDLOC-2

A

Follower length 60 mm

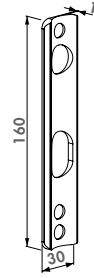


Adaptor plate for LA and LS locks

3019LA



The adaptor plate is mounted between the lock and gate frame.



Specifications

- ✓ Aluminium adaptor plate for LA- & LS locks
- ✓ Adaptor plate => Ø42 mm

Compatible locks



LAKQ U2
P. 59



LMKQ V2
P. 66



LAKZ P1
P. 72



LSKZ U2
P. 78

Order code

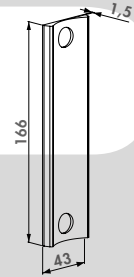
3019LA Adaptor plate for round posts Ø42 mm

Adaptor plate for SA keeps

3018LA



The adaptor plate is mounted between the keep and post.



Specifications

- ✓ Polyamide adaptor plate for SA-keep
- ✓ Adaptor plate => Ø60 mm

Compatible keep



SAKL QF
P. 95

Order code

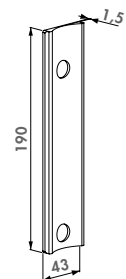
3018LA Adaptor plate for round posts Ø60 mm

Adaptor plate for SH keeps

6403



The adaptor plate is mounted between the keep and post.



Specifications

- ✓ Aluminium adaptor plate for SH-keeps
- ✓ Adaptor plate => Ø60 mm

Compatible keep



SHKL QF
P. 95

Order code

6403 Adaptor plate for round posts Ø60 mm



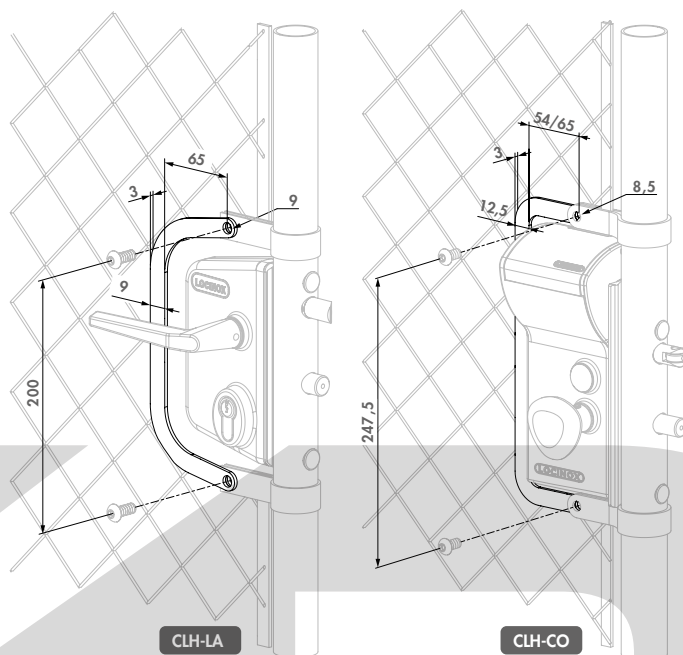
Chain-link tension bar adapter

CLH-

This tension bar adaptor fits around our industrial, electrical, garden and sliding gate locks to give an aesthetic, finished look to chain link gates. There is a separate chain link tension bar adapter available for the mechanical code locks.

Specifications

- ✔ Hot-dip galvanized steel
- ✔ Install with 2 tension bands
- ✔ Ties in with the tension bar for a finished look



Order codes

CLH-LA

CLH-CO

Chain link tension bar adaptor for standard gate locks

Chain link tension bar adaptor for mechanical code locks





Anti-theft protection plate for standard SA and Modulec SA keeps SHIELD-SA-

Vandal-proof protection plate in aluminium. This plate protects the daybolt and the nightbolt. Compatible with Locinox keeps (type SA and Modulec-SA).

Specifications

- ✔ Vandal-proof protection plate
- ✔ Aluminium powder coated
- ✔ Serves as a pick plate - use for extra security
- ✔ Shield can easily be mounted on the surface mounted lock and is available for 40-60 mm gate frames
- ✔ Can be combined with SA keeps and Modulec-SA

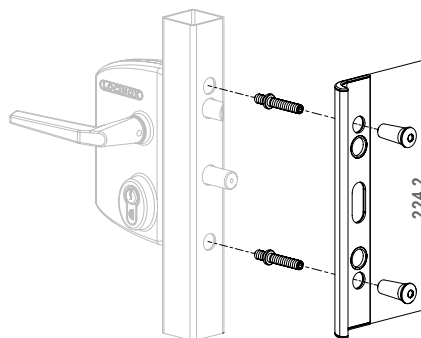
Order codes

SHIELD-SA- Adaptor plate for square to round posts for SA and MODULEC-SA keeps

Related products



SAKL QF
P. 95



Anti-theft protection plate for security SH keeps and Modulec SH keeps SHIELD-SH-

SHIELD-SH-

Vandal-proof protection plate in aluminium. This plate protects the daybolt and the nightbolt. Compatible with Locinox keeps (type SH and Modulec-SH).

Specifications

- ✔ Vandal-proof protection plate
- ✔ Aluminium powder coated
- ✔ Provided with plastic sliding sleeves for a perfect pen guidance. Very convenient in combination with gate closers
- ✔ Shield can easily be mounted on the surface mounted lock and is available for 40-60 mm gate frames
- ✔ Can be combined with keeps SH and Modulec-SH

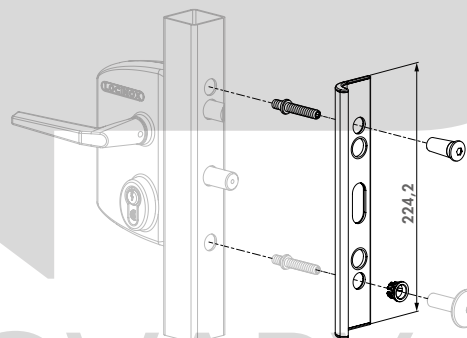
Order codes

SHIELD-SH- Adaptor plate for square to round posts for SH and MODULEC-SH keeps

Related products



SHKL QF
P. 95



Adaptor plate for Modulec strike 3018MOD-

Adaptor plate for square to round posts for Modulec electric strike. The plate is mounted between strike and post. A perfect connection on a Ø60 mm profile is ensured.

Specifications

- ✔ Aluminium adaptor plate for Modulec on Ø60 mm profiles
- ✔ Black anodized
- ✔ Separate versions for SA and SH available
- ✔ Is easily installed between strike and post

Order codes

3018MOD-SA Adaptor plate for square to round posts for MODULEC-SA electric strike.

3018MOD-SH Adaptor plate for square to round posts for MODULEC-SH electric strike.

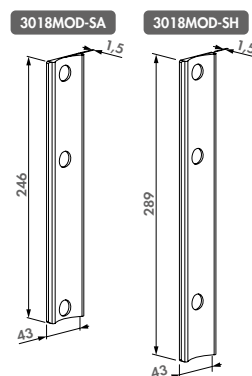
Recommended keeps

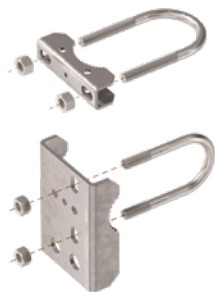


MODULEC-SA
P. 29



MODULEC-SH
P. 29





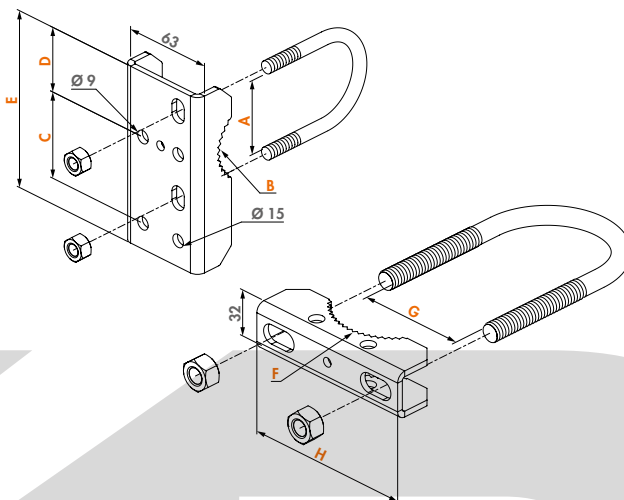
Galvanized bracket to mount Samson-2 to chain-link fence (USA only)

SB-

The chain-link mounting bracket allows the Samson gate closer to easily adapt to gates with round profiles and round hinge posts. Brackets are made of galvanized steel with U-bolts and stainless SD&T screws to lock the brackets into position. Available to fit 3" or 4" round posts and 1-5/8" or 1-7/8" gate frames.

Specifications

- ✔ Compatible with Samson-2
- ✔ Galvanized steel mounting brackets accept standard QF-fasteners on Samson-2



Order codes

SB-3015

SB-3020

SB-4015

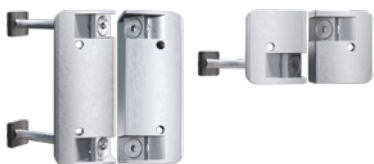
SB-4020

| A | B | C | D | E | F | G | H |
|------|------|----|----|-----|------|------|-----|
| 41,2 | 41,2 | 56 | 40 | 114 | 76,2 | 76,2 | 120 |
| 47,6 | 47,6 | 60 | 45 | 123 | 76,2 | 76,2 | 120 |
| 41,2 | 41,2 | 56 | 40 | 114 | 100 | 100 | 150 |
| 47,6 | 47,6 | 60 | 45 | 123 | 100 | 100 | 150 |



NEW Chain link bracket for Tiger gate closer

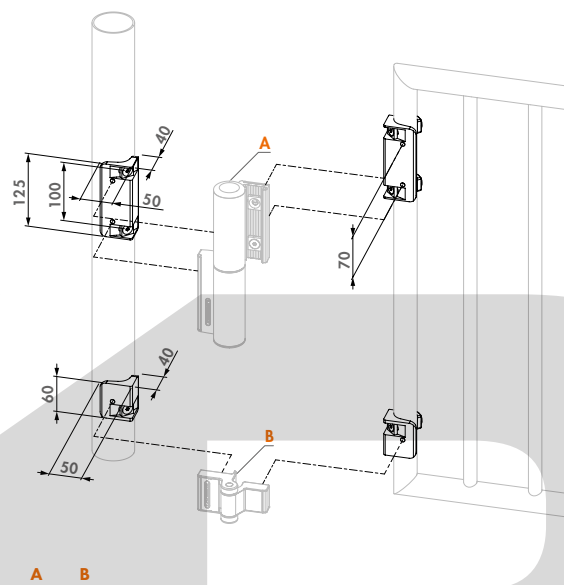
CLB-TIGER



High quality aluminium bracket for installation of Tiger gate closer on round chain link fences. The brackets are installed between gate closer and post. A perfect, firm and easy installation is guaranteed thanks to the drilling jig. The brackets for the Puma hinge are included.

Specifications

- ✓ Aluminium anodized assembly brackets for Tiger on chain link fences
- ✓ Diameter post: 48 to 102 mm
- ✓ Diameter gate profile: 35 to 48 mm
- ✓ All fixations included
- ✓ Drilling jig included for easy installation



Order code

CLB-TIGER

A B
Tiger Puma

NEW Chain link bracket for Mammoth gate closer

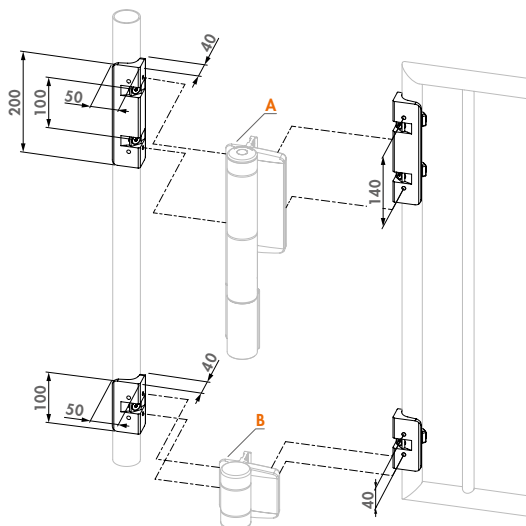
CLB-MAMMOTH



High quality aluminium bracket for installation of Mammoth gate closer on round chain link fences. The brackets are installed between gate closer and post. A perfect, firm and easy installation is guaranteed thanks to the drilling jig. The brackets for the Dino hinge are included.

Specifications

- ✓ Aluminium anodized assembly brackets for Mammoth on chain link fences
- ✓ Diameter post: 48 to 102 mm
- ✓ Diameter gate profile: 35 to 48 mm
- ✓ All fixations included
- ✓ Drilling jig included for easy installation



Order code

CLB-MAMMOTH

A B
Mammoth-180 Dino



Triangular cylinder set for triangle keys

3012-POC-

Stainless steel symmetric Europrofile cylinder set with which you can equip each Locinox lock with a triangular key access control on cylinder level. Exchangeable with 54 mm or 60 mm cylinders. Available for the 11, 14 or 17 mm triangle key. Applications: waste management, access fire brigade, parking facilities,...

Specifications

- ✔ Stainless steel triangular cylinder set
- ✔ Quick and easy retro-fitting assembly
- ✔ Universal compatibility for 11, 14 or 17 mm triangle keys
- ✔ Can replace every 54-60 mm symmetric Europrofile cylinder

Compatible triangle keys



3071-T11
P. 176

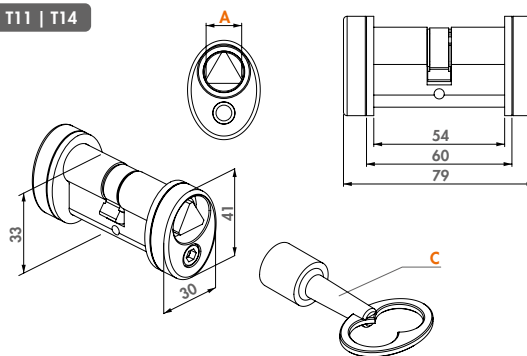


3071-T14
P. 176

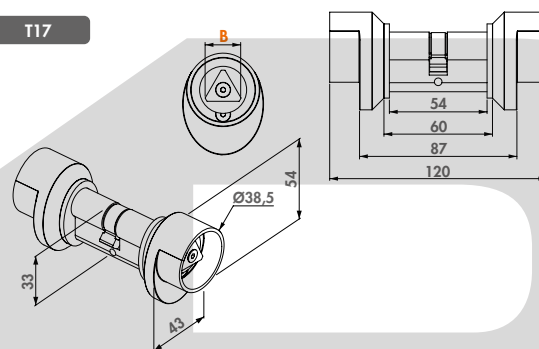
Order codes

| Triangle width | A | B | C |
|----------------|-------|-------|----------|
| 3012-POC-T11 | 11 mm | | 3071-T11 |
| 3012-POC-T14 | 14 mm | | 3071-T14 |
| 3012-POC-T17 | | 17 mm | |

T11 | T14



T17



46 mm cylinder

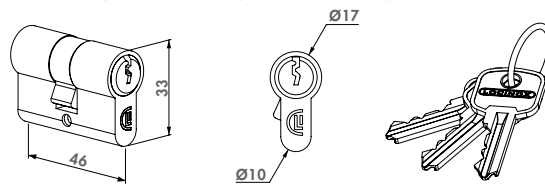
3012-46-STD



Symmetric Europrofile cylinder with three keys: 46 mm, keyed alike or keyed to differ.

Specifications

- ✓ 46 mm Europrofile cylinder with three keys
- ✓ VCA: keyed to differ
- ✓ GCA: keyed alike A
- ✓ GCB: keyed alike B
- ✓ GCC: keyed alike C
- ✓ GCD: keyed alike D



Order codes

| | |
|------------------------|--|
| 3012-46-STD-VCA | Symmetric 23 - 23 mm cylinder, keyed to differ |
| 3012-46-STD-GCA | Symmetric 23 - 23 mm cylinder, keyed alike A |
| 3012-46-STD-GCB | Symmetric 23 - 23 mm cylinder, keyed alike B |
| 3012-46-STD-GCC | Symmetric 23 - 23 mm cylinder, keyed alike C |
| 3012-46-STD-GCD | Symmetric 23 - 23 mm cylinder, keyed alike D |

54 mm cylinder

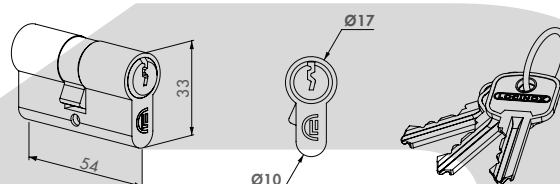
3012-54-STD



Symmetric Europrofile cylinder with three keys: 54 mm, keyed alike or keyed to differ.

Specifications

- ✓ 54 mm Europrofile cylinder with three keys
- ✓ VSZ: keyed to differ
- ✓ GSZ: keyed alike Z
- ✓ GSY: keyed alike Y
- ✓ GSX: keyed alike X
- ✓ GSZ: Cylinders in different lengths are not compatible with each other



Order codes

| | |
|------------------------|--|
| 3012-54-STD-VSZ | Symmetric 27 - 27 mm cylinder, keyed to differ |
| 3012-54-STD-GSZ | Symmetric 27 - 27 mm cylinder, keyed alike Z |
| 3012-54-STD-GSY | Symmetric 27 - 27 mm cylinder, keyed alike Y |
| 3012-54-STD-GSX | Symmetric 27 - 27 mm cylinder, keyed alike X |

60 mm cylinder

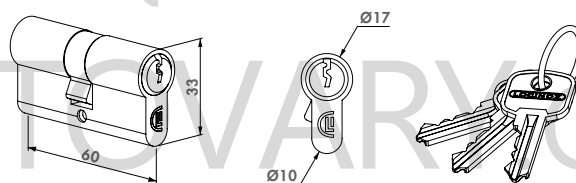
3012-60-STD



Symmetric Europrofile cylinder with three keys: 60mm, keyed alike or keyed to differ.

Specifications

- ✓ 60 mm Europrofile cylinder with three keys
- ✓ GSZ: Cylinders in different lengths are not compatible with each other



Order codes

| | |
|------------------------|--|
| 3012-60-STD-GSZ | Symmetric 30 - 30 mm cylinder, keyed alike |
| 3012-60-STD-VSZ | Symmetric 30 - 30 mm cylinder, keyed to differ |

80 mm cylinder

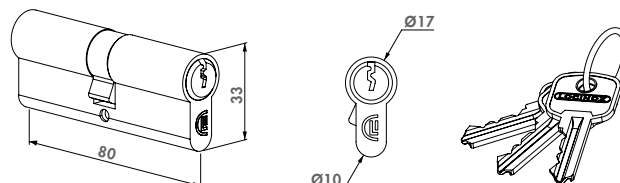
3012-80-STD



Symmetric Europrofile cylinder with three keys: 80 mm, keyed alike or keyed to differ.

Specifications

- ✓ 80 mm Europrofile cylinder with three keys
- ✓ GSZ: Cylinders in different lengths are not compatible with each other



Order codes

| | |
|------------------------|--|
| 3012-80-STD-GSZ | Symmetric 40 - 40 mm cylinder, keyed alike |
| 3012-80-STD-VSZ | Symmetric 40 - 40 mm cylinder, keyed to differ |



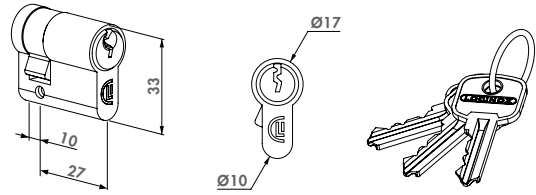
37 mm half cylinder

3012-37-STD

Asymmetric Europrofile cylinder 37 mm. Same keys as 3012-54-STD-GSZ. Used for Keydrop, Keysafe and Electradrop.

Specifications

- ✔ 37 mm half cylinder with three keys
- ✔ One side key / one side blind
- ✔ Used with Keydrop, Electradrop and Keysafe
- ✔ GSZ: Cylinders in different lengths are not compatible with each other



Order code

3012-37-STD-GSZ Asymmetric 10 - 27 mm cylinder, keyed alike Z



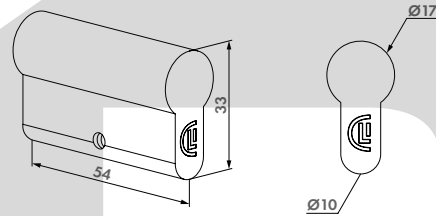
54 mm dummy cylinder

3012-54-DSA

Dummy cylinder Europrofile 54 mm. Prevents the lock from being locked down.

Specifications

- ✔ Dummy cylinder disables deadbolt locking
- ✔ For panic gates in combination with the 3006PUSH and PUSHBAR



Order code

3012-54-DSA Europrofile dummy cylinder 54 mm



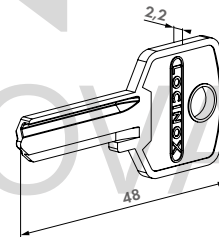
Blank key 46 mm

3070-46

Key blank that allows you to reproduce copies

Specifications

- ✔ Blank key for cylinder 46 mm
- ✔ For reproducing cylinder keys for 3012-46-STD



Order code

3070-46 Blank key for reproducing 46 mm cylinders



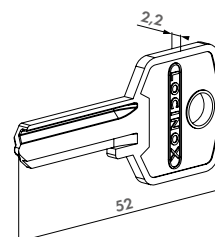
Blank key 54 mm

3070-54

Key blank that allows you to reproduce copies

Specifications

- ✔ Blank key for cylinder 54 mm
- ✔ For reproducing cylinder keys for 3012-37-STD, 3012-54-STD



Order code

3070-54 Blank key for reproducing 54 mm cylinders



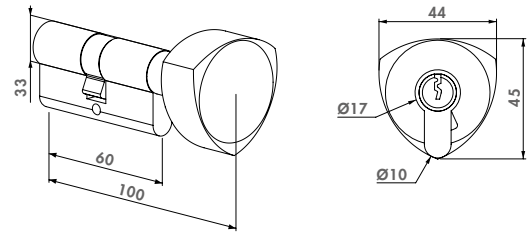
60 mm knob cylinder

3012-60-KNOB

Symmetric Europrofile cylinder with three keys and knob-turn on one side. Used when a free exit is required on one side.

Specifications

- ✔ 60 mm Europrofile cylinder with three keys
- ✔ One side key / one side knob
- ✔ Free entrance on one side



Order codes

3012-60-KNOB-GSZ Symmetric 30 - 30 mm knob cylinder, keyed alike

3012-60-KNOB-VSZ Symmetric 30 - 30 mm knob cylinder, keyed to differ



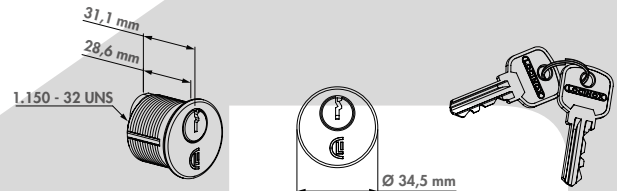
Mortise cylinders set

MRT-118

Set with 2x Mortise cylinders and 4 keys. Fits our new LUKY lock. Cylinders available in Keyed alike and keyed to differ.

Specifications

- ✔ Length 1" 1/8 (28,5 mm)
- ✔ Adams Rite cam type 863A
- ✔ 5 Pins code (6 pins drilled – rekeyable)
- ✔ Satin Nickel Plated
- ✔ 1,150" x 32 UNS thread size
- ✔ 1,360" (34,5 mm) face diameter



Order codes

MRT-118-GMA Keyed alike

MRT-118-VMZ Keyed to differ



Triangle key

3071-

Compatible with a lock that is equipped with an 11 mm or 14 mm triangle instead of a handle.

Specifications

- ✔ Compatible with 3012-POC-T11 / 3012-POC-T14 / 3006T11
- ✔ Zinc-plated

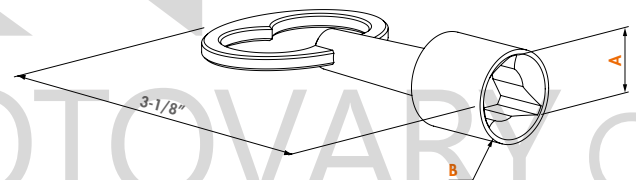
Order codes

Triangle width

3071-T11

3071-T14

| A | B |
|-------|-------|
| 11 mm | Ø15,5 |
| 14 mm | Ø20 |





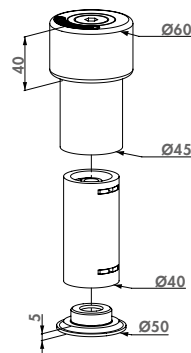
Gatestop with rubber

GATESTOP

Aluminium gatestop. The rubber stop prevents the gate from being damaged. Height adjustability from 60 mm till 140 mm. Can also be used as a wall stop. Including anchor bolt.

Specifications

- ✔ Fast and easy fixing
- ✔ Height adjustable: min 60 mm till 140 mm
- ✔ Aluminium body with rubber stop
- ✔ Included anchor bolt M12 for concrete fixing



Order code

GATESTOP

Including anchor bolt



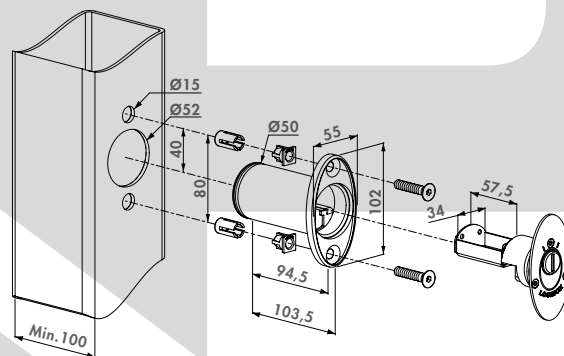
Keysafe Quick-Fix

KEYSAFE QF

Stainless steel Keysafe. Supplied with Quick-Fix to mount inside metal profiles. Used for a safe storage of your spare gate lock keys.

Specifications

- ✔ Keysafe with europrofile cylinder
- ✔ For safe storage of your gate lock keys
- ✔ Rust-resisting frontcover
- ✔ Stainless steel cylinder cover
- ✔ Aluminium housing
- ✔ Fast and easy fixing with Quick-Fix



Order code

KEYSAFE QF

Including 3012-37-STD-GSZ



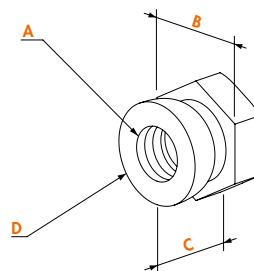
Security nuts

SECUNUT

Stainless steel anti-theft nuts for security applications.

Specifications

- ✔ Stainless steel security nuts for anti-theft applications
- ✔ Available in M6, M8 and M10



Order codes

SECUNUT-M6

M6 10 9,5 Ø9,3

SECUNUT-M8

M8 13 11 Ø12,7

SECUNUT-M10

M10 17 15 Ø16,3

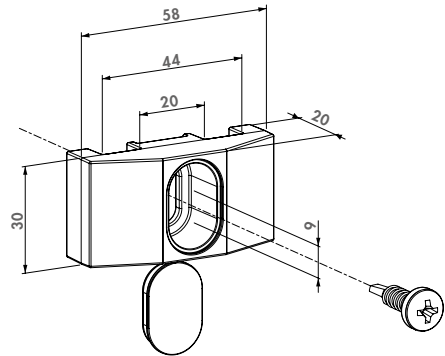


Fixing for 2D-welded mesh with self-drilling screws

2D-PANELFIX SD

Specifications

- ✔ Fixing for 2D-welded meshes
- ✔ With self-drilling screws



Order code

2D-PANELFIX SD

With self-drilling screws

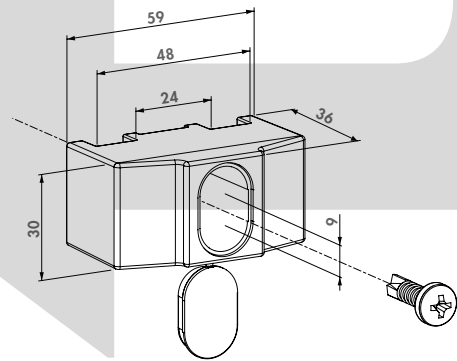


Fixing for 3D-welded mesh with self-drilling screws

3D-PANELFIX SD

Specifications

- ✔ Fixing for 3D-welded meshes
- ✔ With self-drilling screws



Order code

3D-PANELFIX SD

With self-drilling screws





Post plug

TC

Polypropylene post plugs.

Color options

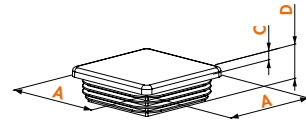
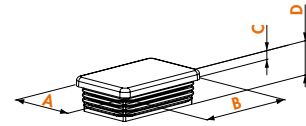
6005 9005

Specifications

- ✓ Polypropylene post plug for square profiles

Gateframe compatibility

| For square profiles | For rectangular profiles | A | B | C | D |
|---------------------|--------------------------|----|----|------|------|
| TC-4040 | | 40 | 5 | 19,4 | |
| TC-5050 | | 50 | 5 | 19,4 | |
| TC-6060 | | 60 | 5 | 19,4 | |
| | TC-4060 | 40 | 60 | 5 | 19,4 |



Post caps

TCR

Polypropylene post caps.

Color options

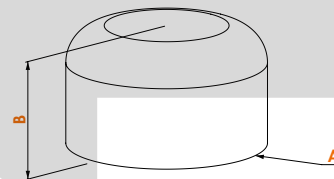
6005 9005

Specifications

- ✓ Polypropylene post cap for round profiles

Gateframe compatibility

| For round profiles | A | B |
|--------------------|-----|------|
| TCR-42 | Ø45 | 29,5 |
| TCR-48 | Ø51 | 30 |
| TCR-60 | Ø63 | 38 |



Square post cap

TCO-STD

Polypropylene post cap. Protects the upper borders of the posts.

Color options

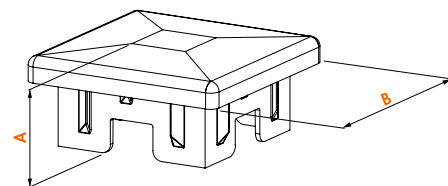
9005

Specifications

- ✓ Polypropylene square post cap for 60x60 mm, 80x80 mm and 100x100 mm
- ✓ Protects upper borders of posts

Order codes

| For square profiles | A | B |
|---------------------|----|------|
| TCO-STD-6060 | 41 | 67,5 |
| TCO-STD-8080 | 41 | 89 |
| TCO-STD-100100 | 47 | 110 |





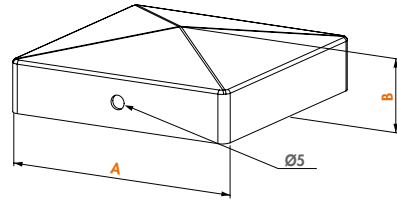
Post cap to screw on

TCO-SCR

Hot-dip galvanized post caps with screw hole. Perfect to protect / finish your posts.
Applications: wood, aluminium or metal.

Specifications

- ✔ Hot-dip galvanized post caps to screw on



Order codes

For square profiles

| | A | B |
|--------------------|-----|----|
| TCO-SCR-HDG-4040 | 43 | 22 |
| TCO-SCR-HDG-5050 | 53 | 23 |
| TCO-SCR-HDG-6060 | 63 | 24 |
| TCO-SCR-HDG-8080 | 83 | 25 |
| TCO-SCR-HDG-100100 | 103 | 27 |
| TCO-SCR-HDG-120120 | 123 | 29 |



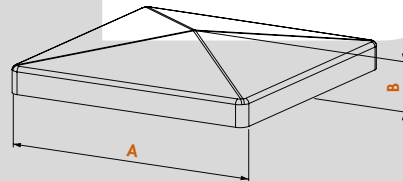
Post caps to weld on

TCO-WLD

Post caps to weld on in black steel or zinc plated. Perfect to protect / finish your posts.
Applications: metal.

Specifications

- ✔ Post caps in black steel or zinc plated



Order codes

| Black steel post caps | Zinc-plated post caps | A | B |
|-----------------------|-----------------------|-------|------|
| TCO-WLD-B-4040 | TCO-WLD-Z-4040 | 43,5 | 12 |
| TCO-WLD-B-5050 | TCO-WLD-Z-5050 | 53,5 | 13 |
| TCO-WLD-B-6060 | TCO-WLD-Z-6060 | 63,5 | 14 |
| TCO-WLD-B-8080 | TCO-WLD-Z-8080 | 83,5 | 16 |
| TCO-WLD-B-100100 | TCO-WLD-Z-100100 | 103,5 | 18 |
| TCO-WLD-B-120120 | TCO-WLD-Z-120120 | 123,5 | 19,5 |





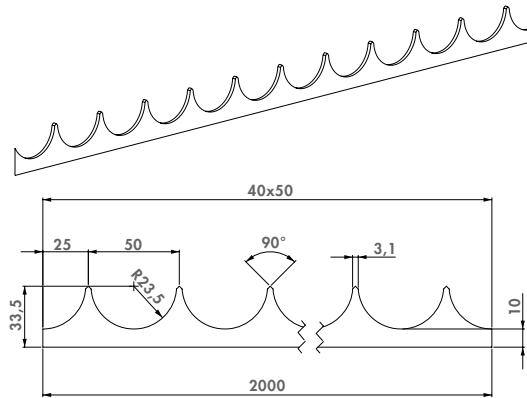
Security strip to weld on

PKWB2000

Security strips in black steel to weld on. Packed per 20 pieces of 2 meter.

Specifications

- ✔ Black steel for welding
- ✔ Fixing: to weld on
- ✔ Profile: 33,5 x 3 mm
- ✔ Length: 2000 mm
- ✔ Packed in tubes per 20 pcs of 2000 mm



Order code

PKWB2000

Security strip to weld on



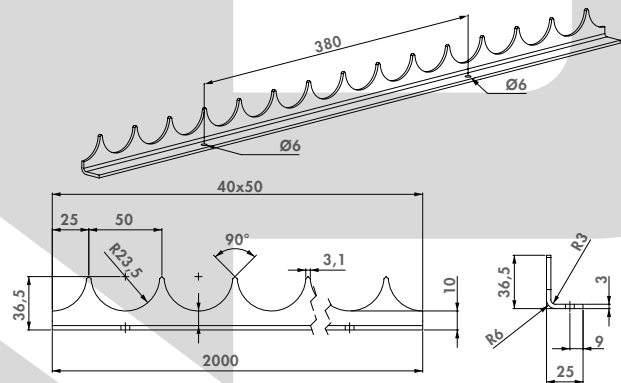
Security strip to screw on

PKSG2000

Hot-dip galvanized L-security strips to screw on. Packed per 10 pieces of 2 meter.

Specifications

- ✔ Hot-dip galvanized toothed L-profile
- ✔ Fixing: screw on
- ✔ Profile: 36,5 x 25 x 3 mm
- ✔ Length: 2000 mm
- ✔ Easy to retrofit
- ✔ Packed in tubes per 10 pcs of 2000 mm



Order code

PKSG2000

Security strip to screw on

Electrogalvanized security strips to weld on

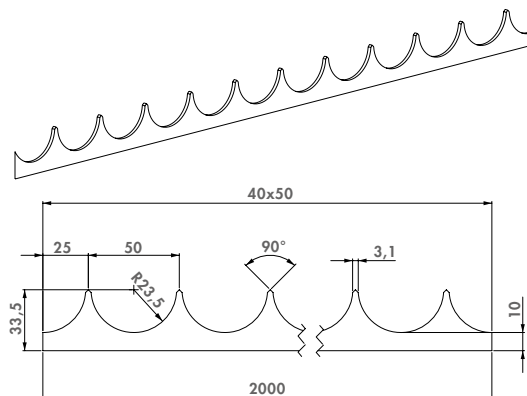
PKWB2000-EP

Electrogalvanized security strips to weld on. Packed per 20 pieces of 2 meter.



Specifications

- ✔ Fixing: to weld on
- ✔ Profile: 33,5x3 mm
- ✔ Length: 2000 mm
- ✔ Packed in tubes per 20 pcs of 2000 mm



Order code

PKWB2000-EP

Security strip to weld on

Sales support tools

Convince your clients of the Locinox quality. We developed several gate displays and democases of our best selling products. Every featured Locinox product is full-scale and functioning just like in real-life.

These handy sales support tools perfectly claim what Locinox is standing for: exceptional quality, good value, extreme durability, user friendly comfort, easy installation, and much more. Let the lightweight gate displays and complete democases be your closest ally during sales visits or showcase them in your showroom. They will be an eyecatcher and make your sales talks much easier, believe us.



184 Democases



185 Gate displays



NEW Democase with a range of Locinox hinges

DEMO-HINGES

Sturdy, high quality and handy demo case with a range of weatherproof hinges.

Specifications

- ✔ Includes following hinges: GBM12-DP, SWING40, G90LR, GBMU4D20, BOLTON4D, 1DBH, 3DM and PUMA
- ✔ Includes following U-shaped ear plates: 1001, 1036 and 1041
- ✔ Includes 1034-A2 eyebolt set
- ✔ Includes 1034ROLL-HDG eyebolt
- ✔ Includes GRIP fixation grip

Order code

DEMO-HINGES Democase with a range of Locinox hinges



NEW Democase with a range of Locinox locks and SlimStone keypad

DEMO-LOCKS

Sturdy, high quality and handy demo case with a range of weatherproof locks and the SlimStone keypad.

Specifications

- ✔ Includes following gate locks: LAKQ U2, LPKQ U2 en LFKQ X1
- ✔ Includes following keeps: Modulec SH, SAKL en SHKL
- ✔ Includes the SlimStone keypad
- ✔ Miscellaneous: PB-1, DC-POWER-12V/20W, GATESWITCH

Order code

DEMO-LOCKS Democase with a range of Locinox locks and SlimStone keypad



NEW Democase with a range of Locinox handles and drop bolts

DEMO-DROPBOLTS

Sturdy, high quality and handy demo case with a range of handles and drop bolts.

Specifications

- ✔ Includes following handles: 3006D, 3006M, 3006FA, 3006J, 3006P, 3006G, 3006KR, PUSH, KIDLOC-2 and 3012-POC-T11 (+14, 17)
- ✔ Includes EGS ground catcher
- ✔ Includes VSF and Keydrop drop bolts
- ✔ Includes LAKQ U2 gate lock

Order code

DEMO-DROPBOLTS Democase with a range of Locinox handles and drop bolts



NEW Access control gate display with Modulec strike, SlimStone keypad and Tiger gate closer

PS_SLIMSTONE-TIGER

Access control gate display with SlimStone keypad (IP 68), Modulec electric strike and the hydraulic Tiger gate closer.

Specifications

- ✓ High quality and lightweight aluminium display
- ✓ Information panel in 4 languages

Order code

PS_SLIMSTONE-TIGER Access control gate display with Modulec strike, SlimStone keypad and Tiger gate closer



NEW Gate display Tiger gate closer and industrial lock

PS_TIGER-

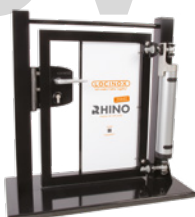
Aluminium gate display featuring the Tiger hydraulic gate closer with the industrial lock and stainless steel keep.

Specifications

- ✓ High quality and lightweight aluminium display
- ✓ Information panel in 4 languages

Order code

PS_TIGER- Gate display Tiger gate closer and industrial lock



NEW Gate display with Rhino gate closer, industrial lock and Bolton4D hinge

PS_RHINO-

Aluminium gate display featuring the Rhino hydraulic gate closer with the screwable 180° Bolton4D hinge, an industrial lock and a stainless steel keep.

Specifications

- ✓ High quality and lightweight aluminium display
- ✓ Information panel in 4 languages

Order code

PS_RHINO- Gate display with Rhino gate closer, industrial lock and Bolton4D hinge



NEW Gate display with Lion gate closer, industrial lock and 90° hinge

PS_LION-

Aluminium gate display featuring the Lion hydraulic gate closer with a hot dip galvanized 90° hinge, an industrial lock and a stainless steel keep.

Specifications

- ✓ High quality and lightweight aluminium display
- ✓ Information panel in 4 languages

Order code

PS_LION- Gate display with Lion gate closer, industrial lock and 90° hinge



Radio with AUX jack

RADIO

Portable rechargeable site radio. Shock- and waterproof. A nice gadget for your fencing installers.

Specifications

- ✓ Shock- and waterproof
- ✓ Power: 10 Watt
- ✓ AUX-jack
- ✓ Rechargeable batteries included

Order code

RADIO Portable site radio with rechargeable batteries included



#WE ARE LOCINOX



FORWARD

Innovation as the engine of your growth



MODULARITY

Designed with flexibility at every moment



ADDED VALUE

High quality to ensure your peace of mind



24/7 WEBSHOP

Order when it suits you



FULL SERVICE

Exceptional after-sales service



3 YEAR WARRANTY

Sustainable solutions in the very long term



TRANSPARENCY

A sincere and clear communication, day after day



RELIABLE

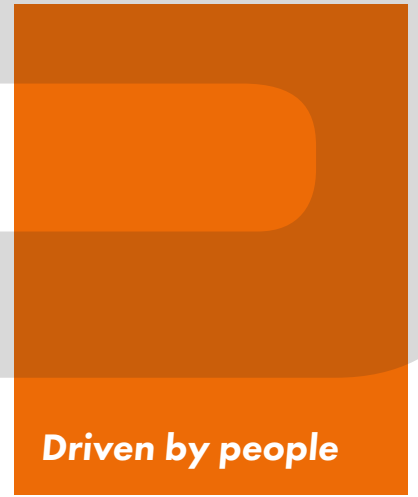
Our promises and deadlines are always met



LOYAL

Long-term relationships and a win-win situation for everyone

WWW.LOCINOX.COM



KOVOPROJEKTOVARY.CZ



Notes

Lined writing area for notes.



KOVOPOLOTOVARY.CZ

Lined writing area for notes.

Table of contents

| | | | |
|----------------|-----|-------------------|-----|
| 1 DBH- | 127 | 3970LA | 150 |
| 2D-PANELFIX SD | 178 | 3970LS | 150 |
| 3DM | 127 | 6403 | 168 |
| 3D-PANELFIX SD | 178 | ABK | 146 |
| 3DW | 128 | ABL | 146 |
| 4DFIX-I | 117 | AC-TRANS-12V-25W | 45 |
| 4DFIX-I-12 | 117 | BEARING HINGE | 126 |
| 4DW | 128 | B-MAG- | 31 |
| 1001 U | 116 | BOLTON4D- | 109 |
| 1002B | 123 | BOLTON-G- | 110 |
| 1002M | 116 | BOLTON-U- | 110 |
| 1004ORNA | 123 | CGS | 142 |
| 1005WP | 124 | CLB-MAMMOTH | 172 |
| 1005WPF | 124 | CLB-TIGER | 172 |
| 1005WPU16 | 124 | DC-ACCESS-12V-20W | 46 |
| 1034A2- | 115 | DC-POWER-12V-20W | 46 |
| 1034HDGA- | 114 | DC-POWER-24V-25W | 46 |
| 1034ROLL-HDG- | 115 | DEMO-DROPBOLTS | 184 |
| 1036 | 121 | DEMO-HINGES | 184 |
| 1039SET | 121 | DEMO-LOCKS | 184 |
| 1040HDSM16- | 134 | DINO | 126 |
| 1040TPS-M12- | 134 | DRILL-FIX | 151 |
| 1041-01 | 133 | DRILLØ15 | 150 |
| 1127 | 121 | DRILLWISE-II | 155 |
| 2005 | 45 | DRILLWISE-IV | 155 |
| 3006C | 164 | DURA | 133 |
| 3006D | 165 | DVK | 44 |
| 3006FA | 165 | DVK-HD | 45 |
| 3006G | 165 | EGS | 143 |
| 3006I | 165 | ELECTRADROP | 42 |
| 3006J | 164 | FIFTYLOCK | 81 |
| 3006KR | 161 | FORTYLOCK | 80 |
| 3006M | 164 | G90LR | 119 |
| 3006P | 166 | G90WP | 120 |
| 3006PC | 94 | G90Z | 119 |
| 3006PULL | 161 | GAM12 | 133 |
| 3006PUSH | 162 | GATESTOP | 177 |
| 3006R | 166 | GATESWITCH | 47 |
| 3006R-2 | 167 | GBM12 | 131 |
| 3006S | 164 | GBM12-DP | 131 |
| 3006T11 | 163 | GBM16 | 132 |
| 3012-37-STD | 175 | GBM16-DP | 132 |
| 3012-46-STD | 174 | GBMU4D12 | 112 |
| 3012-54-DSA | 175 | GBMU4D16 | 112 |
| 3012-54-STD | 174 | GBMU4D20 | 113 |
| 3012-60-KNOB | 176 | GBMU4DSHIELD | 113 |
| 3012-60-STD | 174 | GBMU | 114 |
| 3012-80-STD | 174 | GDP | 125 |
| 3012-POC- | 173 | G-ORNA-LR | 122 |
| 3018LA | 168 | G-ORNA-WP | 122 |
| 3018MOD- | 170 | GP-U-BASE | 125 |
| 3019LA | 168 | GRIP12 | 118 |
| 3020-HYB | 86 | GRIP16 | 118 |
| 3070-46 | 175 | GRIP20 | 118 |
| 3070-54 | 175 | H-COMPACT | 87 |
| 3071- | 176 | HKT | 102 |

KOVOPRŮMYSLY KEVOPOLYMEROVARY.CZ

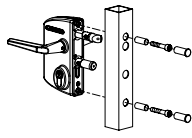
| | | | |
|---------------------|-----|--------------------|-----|
| HLT | 85 | QF-EXP | 156 |
| H-METAL | 83 | QUICK-FIX | 156 |
| H-METAL-WB | 84 | RADIO | 186 |
| HWKB | 102 | RHINODRILL | 153 |
| HWLB | 85 | RHINO | 19 |
| H-WOOD | 89 | ROLLTOP | 157 |
| IGC | 147 | SAKL QF | 95 |
| KEYDROP | 140 | SAMSON-2 | 17 |
| KEYSAFE QF | 177 | SB- | 171 |
| KIDLOC-2 | 167 | SECUNUT | 177 |
| KIDLOC | 161 | SEH | 28 |
| KLAUW- | 117 | SE | 28 |
| KLAUW12 | 116 | SFKB | 104 |
| LAKQ H2 | 71 | SFKI | 104 |
| LAKQ U2 | 59 | SFKM | 105 |
| LAKQ U3 | 60 | SFKP | 105 |
| LAKY F2 | 70 | SHIELD-SA- | 170 |
| LAKZ P1 | 72 | SHIELD-SH- | 170 |
| LAKZ P1 WSI | 73 | SHKC | 103 |
| IDKZ D1 | 65 | SHKL QF | 95 |
| LEKQ U4 | 68 | SHKM | 101 |
| LFKQ X1 | 67 | SHKW | 103 |
| LGKZ D1 | 79 | SIXTYLOCK | 82 |
| LIKQ U2 | 69 | SKRZ | 96 |
| LION | 18 | SLIMSTONE- | 26 |
| LION-VTC-DRILL | 154 | SLIMSTONE-2- | 27 |
| LLKZ V2 | 76 | S-MAG- | 36 |
| LMKQ V2 | 66 | SMKL QF | 96 |
| LOCITool LA | 157 | SPKZ QF | 97 |
| LOCITool LB | 157 | SPKZ-TK | 97 |
| LPKQ U2 | 63 | SSKZ QF | 98 |
| LR | 123 | STK QF | 99 |
| LSKZ U2 | 78 | STR60 QF | 99 |
| LUKY J5 | 61 | SUBY | 138 |
| MAG | 38 | SWING40 | 130 |
| MAGMAG | 39 | TC | 179 |
| MAGUNIT-2500 | 32 | TCO-SCR | 180 |
| MAMMOTH-180 | 15 | TCO-STD | 179 |
| MODULEC-SA | 29 | TCO-WLD | 180 |
| MODULEC-SH | 29 | TCR | 179 |
| MRT-118 | 176 | TIGERDRILL | 152 |
| N-LINE-B-MAG- | 33 | TIGER | 14 |
| N-LINE-B-MAG-KIT- | 34 | TRICONE | 43 |
| N-LINE MAG | 40 | TT-BM3S | 53 |
| N-LINE MAG KIT-2500 | 41 | TT-BSP / TT-SSP | 53 |
| N-LINE-S-MAG- | 33 | TT-CL2 | 55 |
| OGS | 142 | TT-DM3 | 53 |
| O-SET | 98 | TT-FC32 | 54 |
| PB-1 | 44 | TT-FO32 | 54 |
| PKSG2000 | 181 | TT-MM3S | 54 |
| PKWB2000 | 181 | TT-PIVOT | 55 |
| PKWB2000-EP | 181 | TT-SAH | 55 |
| PS_LION- | 186 | TURNITEC | 52 |
| PS_RHINO- | 185 | TWIST40 | 74 |
| PS_SLIMSTONE-TIGER | 185 | UGC | 147 |
| PS_TIGER- | 185 | VERTICLOSE-2- | 21 |
| PUMA | 130 | VERTICLOSE-2-WALL- | 22 |
| PUSHBAR-H- | 162 | VSA / VSF | 141 |
| PUSHBAR-L- | 163 | | |

LOCK

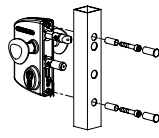
L

CHASSIS

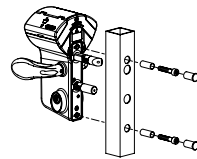
A/P



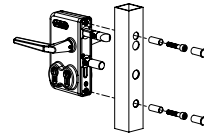
E/I



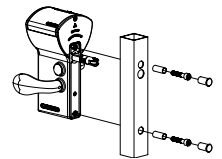
M



D

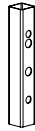


F

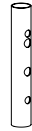


PROFILE

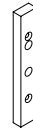
K



R

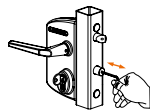


P



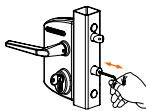
ADJUSTABILITY

Y



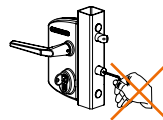
+ 10 mm

Q



+ 20 mm

Z



No adjustability

DIMENSIONS

1010

10 mm
Not for LE

2323

23 mm
Not for LE

3030

30 mm

4040

40 mm

5050

50 mm
Only for Y,
Z-mechanism

6060

60 mm

8080

80 mm

100100

100 mm

LOCKBOX

U2L



Industrial lockbox
54 mm cylinder
For Q -mechanism

U3L



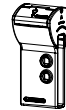
Industrial lockbox
Ø 22 mm KABA-KESO
cylinder
For Q -mechanism

V2L



Code lockbox
54 mm cylinder
For M, L -mechanism

X1L



Code lockbox
For F -mechanism

F2L



Small ornamental lockbox
46 mm cylinder
For Y -mechanism

H2L



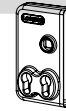
Large ornamental lockbox
54 mm cylinder
For Q -mechanism

P1L



Polyamide lockbox
46 mm cylinder
For Z -mechanism

D1L



Double cylinder lockbox
54 mm cylinder
Special Z -mechanism

J5L



Industrial USA lockbox
Mortise cylinder
For Y -mechanism

COLOURS

ALUM



NO COATING

6005



MOSS GREEN

6009



FIR GREEN

9005



JET BLACK

9010



PURE WHITE

7016



ANTHRACITE

7040



WINDOW GREY

ZILV



SILVER

CYLINDERS

VSZ

Keyed to differ

GSZ

Keyed alike Z

GSY

Keyed alike Y

GSX

Keyed alike X

DSA

Dummy cylinder

VCA

Keyed to differ

GCA

Keyed alike A

GCB

Keyed alike B

GCC

Keyed alike C

GCD

Keyed alike D

T14

For 14 mm triangle keys

ZCZ

No cylinder keys

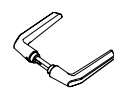
54 mm

46 mm

54 - 60 mm

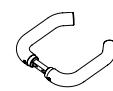
HANDLES

M



Aluminium

D



Aluminium

R



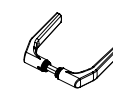
Aluminium round

I



Stainless steel

J



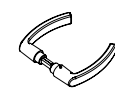
Aluminium

FA



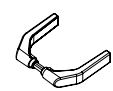
Ornamental zamac - black

P



Polyamide

G



Polyamide

C



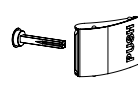
Aluminium club

WSI



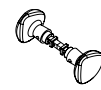
Security knob

PUSH



Aluminium PUSH pad

KR



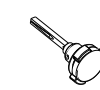
Aluminium round kit pair

R2

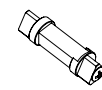


Aluminium round half-handle

KIDLOC-2 T11



Security knob



Triangle key

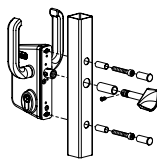
CODEBUILDER FOR SLIDING GATES LS - LL - LG

LOCK

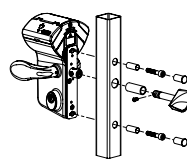
L

CHASSIS

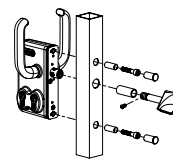
S



L



G

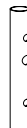


PROFILE

K



R



ADJUSTABILITY

Z



No adjustability

DIMENSIONS

4040

• 40 mm

5050

• 50 mm

6060

• 60 mm

8080

• 80 mm

100100

• 100 mm

120120

• 120 mm

LOCKBOX

U2L



• Industrial lockbox
• 54 mm cylinder

D1L



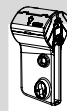
• Double cylinder lockbox
• 54 mm cylinder
• Special Z-mechanism

H2L



• Ornamental lockbox
• 54 mm cylinder

V2L



• Code lockbox
• 54 mm cylinder

COLOURS

ALUM



No coating
Only for H2L

6005



MOSS GREEN

6009



FIR GREEN

9005



JET BLACK

9010



PURE WHITE

7016



ANTHRACITE

ZILV



SILVER

CYLINDERS

VSZ

Keyed to differ

GSZ

Keyed alike Z

GSY

Keyed alike Y

GSX

Keyed alike X

DSA

Dummy
cylinder

T14

For 14 mm
triangle keys

ZCZ

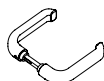
No cylinder

54 mm

54 - 60 mm

HANDLES

S



Aluminium reinforced

C



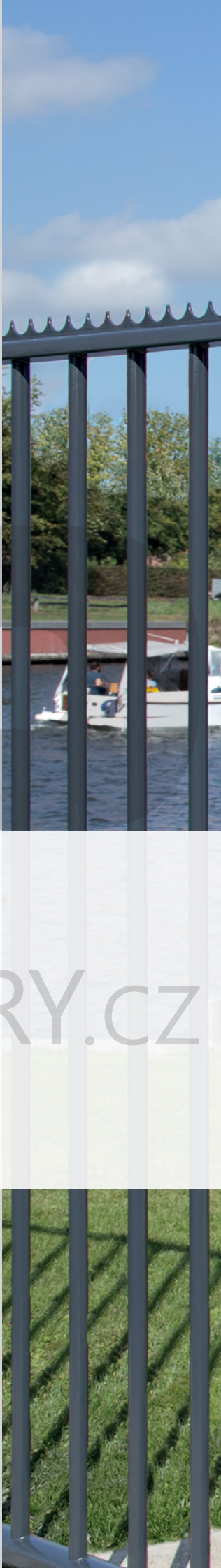
Aluminium club

Z



No handles

KOVOPOLOTOVARY.CZ



5 4147681061244



LOCINOX NV

Mannebeekstraat 21
8790 Waregem — Belgium

T. +32 (0)56 77 27 66

F. +32 (0)56 77 69 26

E. info@locinox.com

www.locinox.com

Locinox P - English

KVOPOLOTOVARY.cz