

8,00 m  
max.

KOVOPOLOTOVARY.CZ

**NEW** 

 **FOLLOW ME M 8.0**

TRACKLESS TWINNED TELESCOPIC  
CANTILEVER HARDWARE  
SPACE-SAVING FEATURE

FOLLOW ME M 8.0

CODE: 1710910

	mm; kg	mm; kg	mm; kg	mm; kg	mm; kg	mm; kg	mm; kg
A	5000	5500	6000	6500	7000	7500	8000
backspace	4930	5330	5730	6130	6530	6930	7330
B	1600	1750	1900	2050	2200	2350	2500
C	2300	2450	2600	2750	2900	3050	3200
D	350	350	350	350	350	350	350
G	3915	4290	4665	5040	5415	5790	6165
H	4830	5230	5630	6030	6430	6830	7230
J	370	370	370	370	370	370	370
K	645	770	895	1020	1145	1270	1395
L	7400	8050	8700	9350	10000	10650	11300

Valid for gate frame 60x60



FAST, DOUBLES SPEED OF OPENING



SPACE SAVING FEATURE - 36% OF TAILGATE SPACE



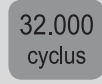
EASY ASSEMBLING



TWIN «C» TRACK CANTILEVER SYSTEM



3 AXIS 2ND CANTILEVER LEAF ADJUSTABLE IN 3 AXIS



32.000 cyclus 32.000 CYCLES PROVEN & TESTED



270 g/m<sup>2</sup> HOT DIPPED GALVANIZED



+ 50°C TESTED & PROVEN



- 37°C TESTED AND PROVEN



SLOTTED HOLE PUNCHED EVERY 400mm IN TRACK



GALVANIZED INTERNAL EDGES



«C» TRACK SERIAL NO. 100% COMPATIBILITY CARRIAGE TESTED



GERMAN STEEL



15 + 15 BOLTS 15 + 15 RIVET NUTS INCLUDED



C 2 HIGH QUALITY BEARINGS



CARRIAGES CENTER HOLES MILLED NOT LASER CUT



MULTI RIVETED SECTIONS



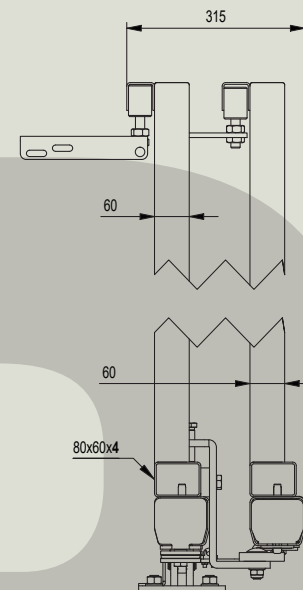
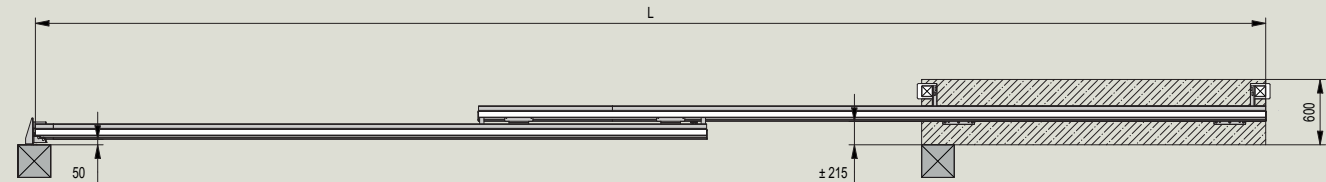
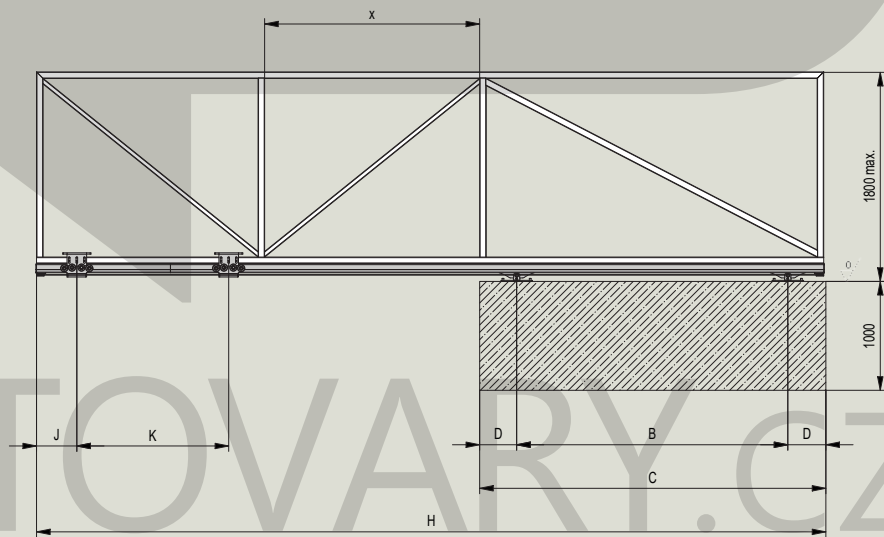
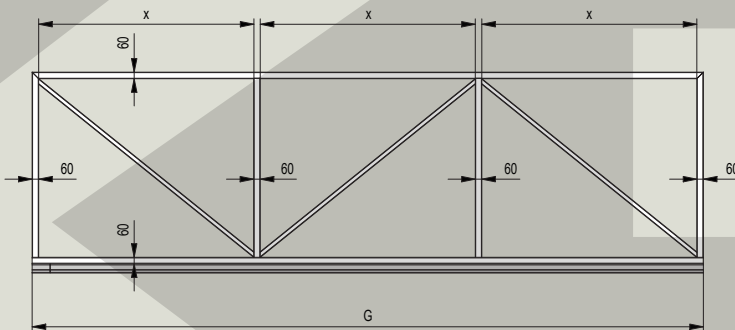
JAPANESE ROBOTICS FANUC

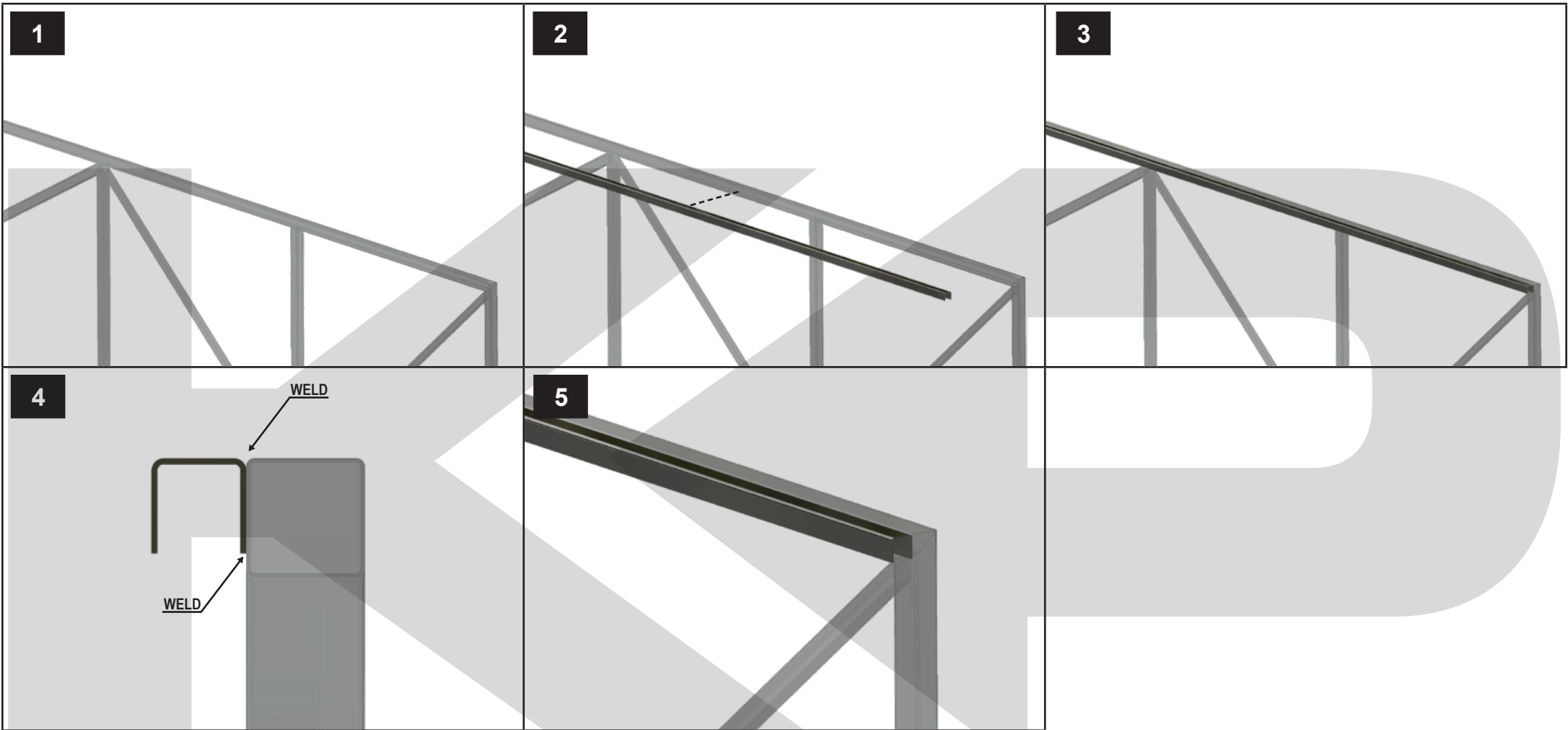


UNIVERSITY OF TECHNOLOGY – BRNO



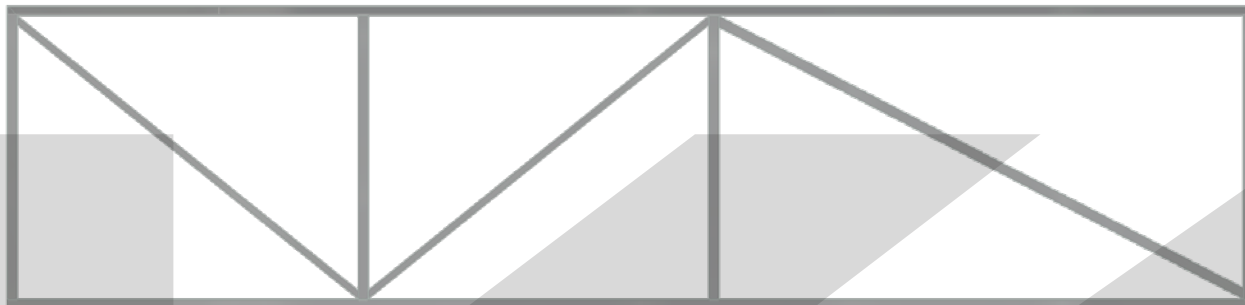
MADE IN CZECH REPUBLIC





KOVO POLOTOVARY.CZ

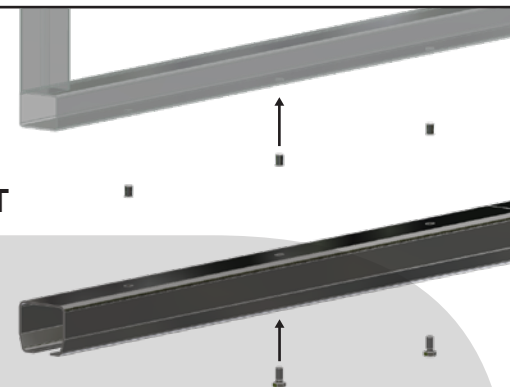
6



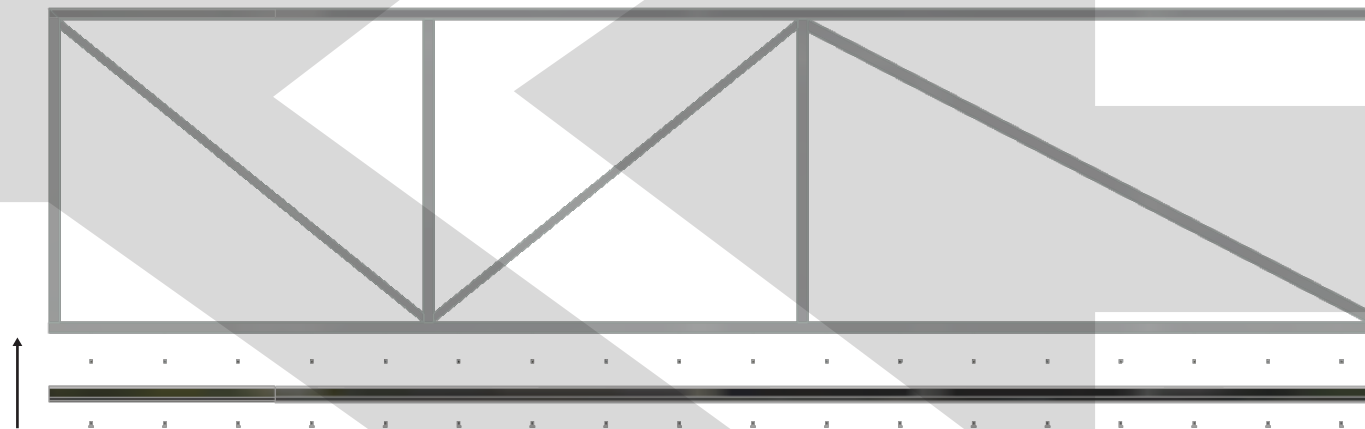
7

RIVET BOLT  
M10x25

BOLT M10x25



8

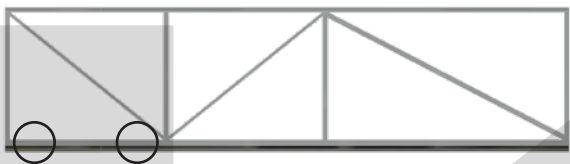


9

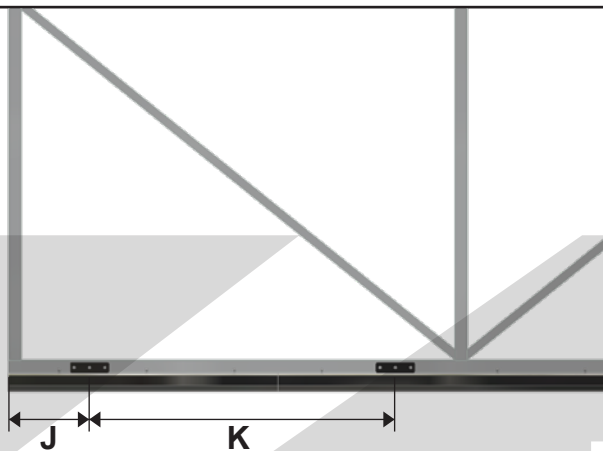


KOVOPOLOTOVARY.CZ

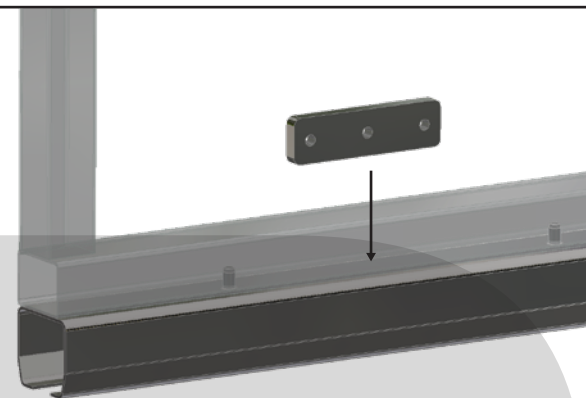
10



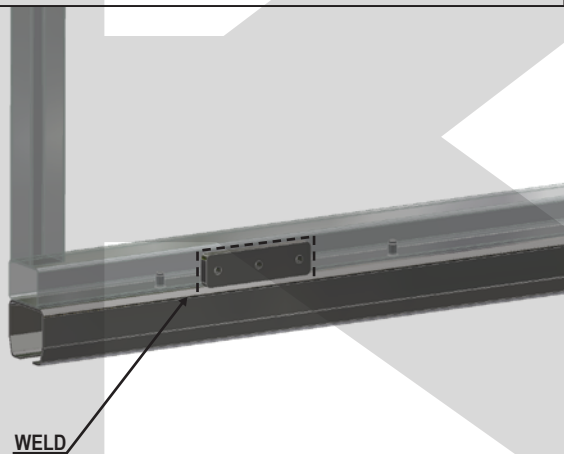
11



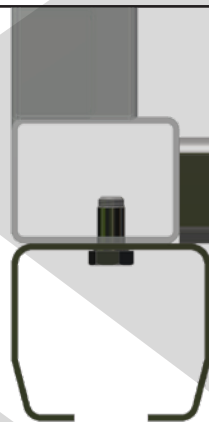
12



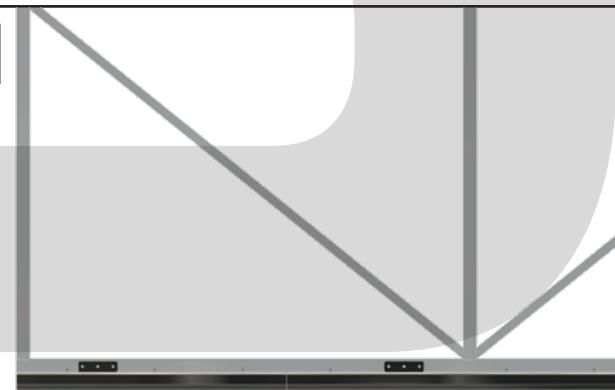
13



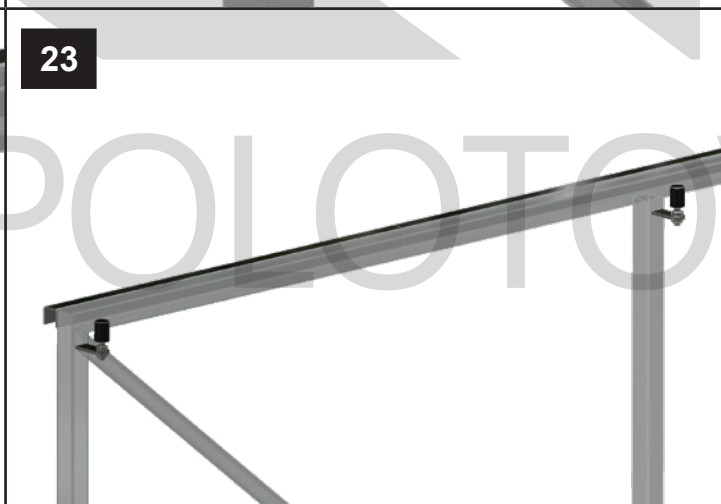
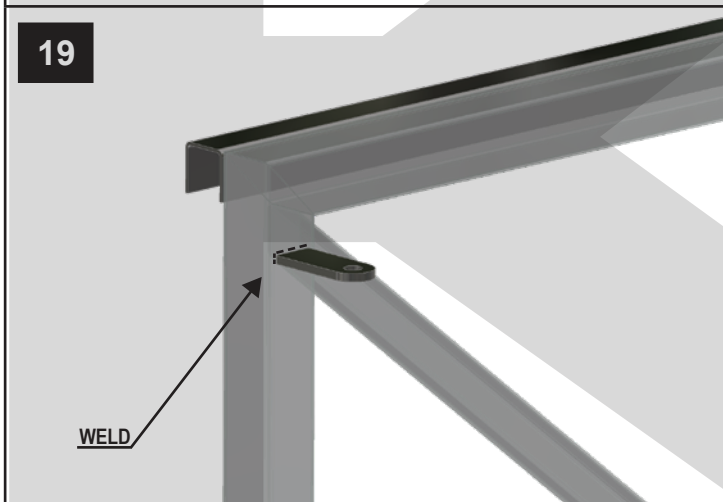
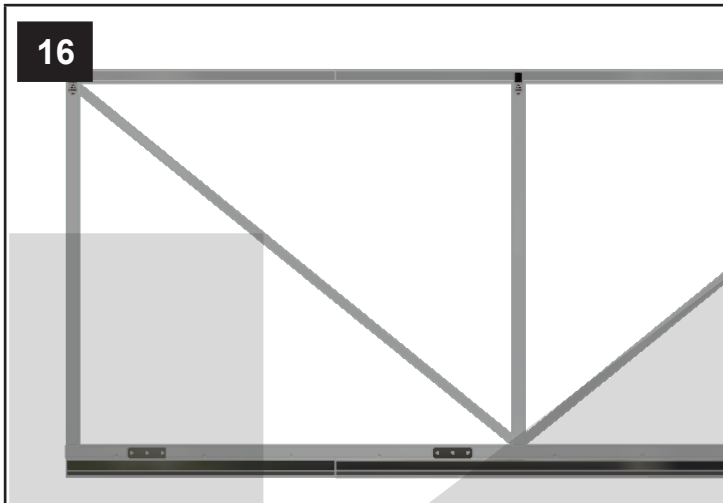
14



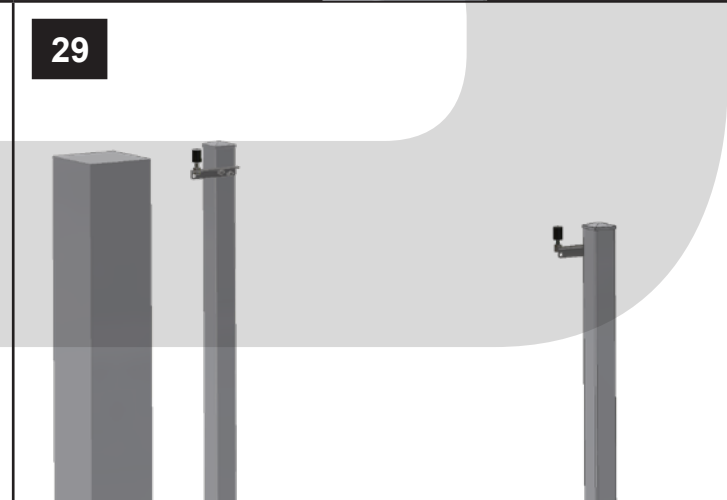
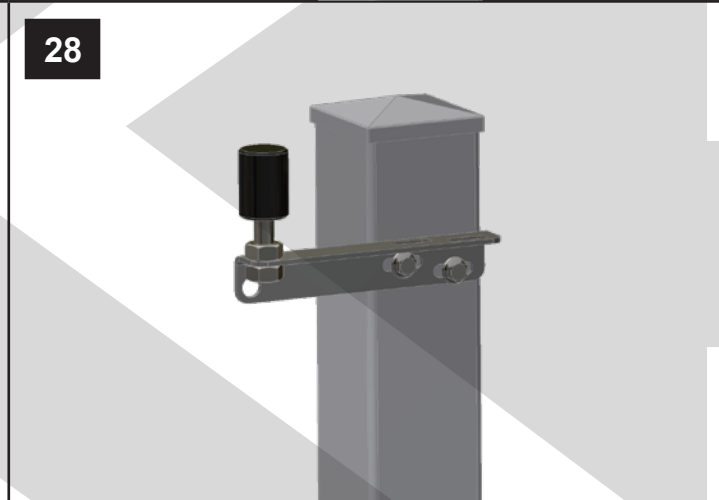
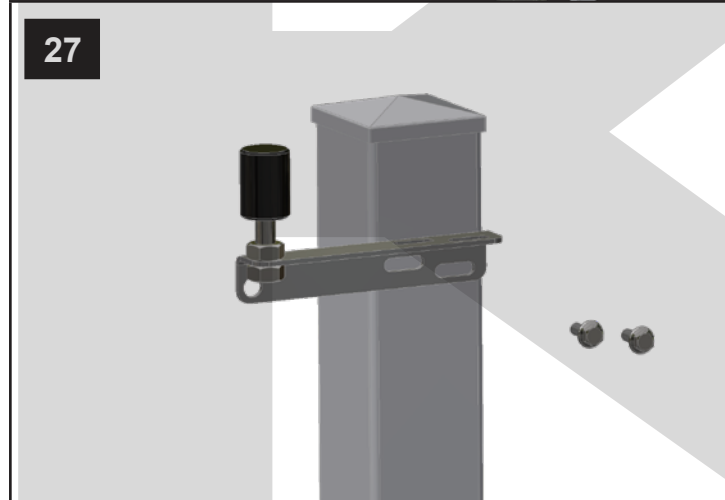
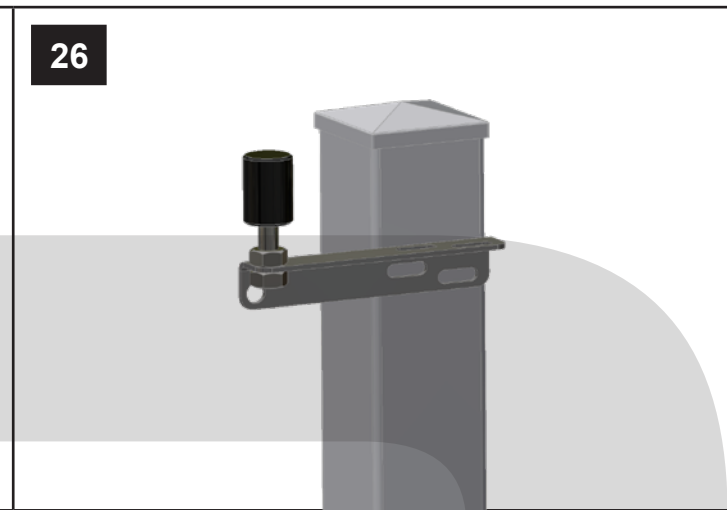
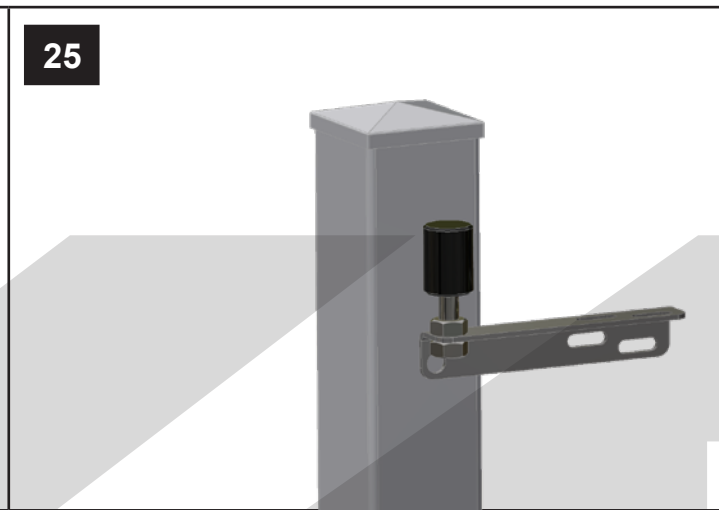
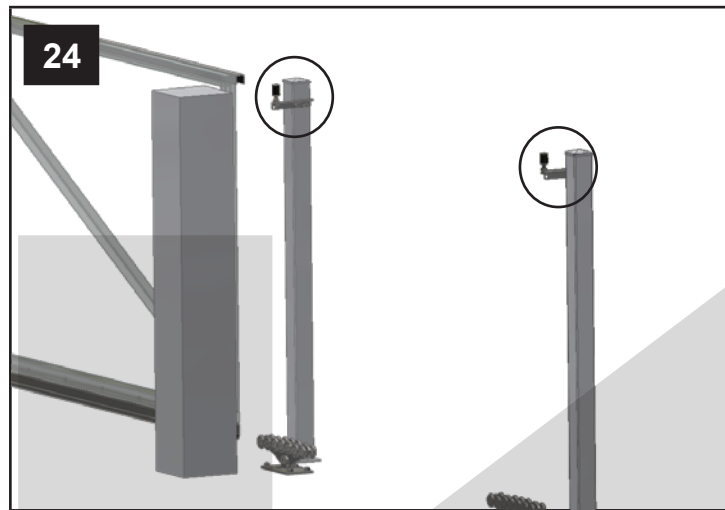
15



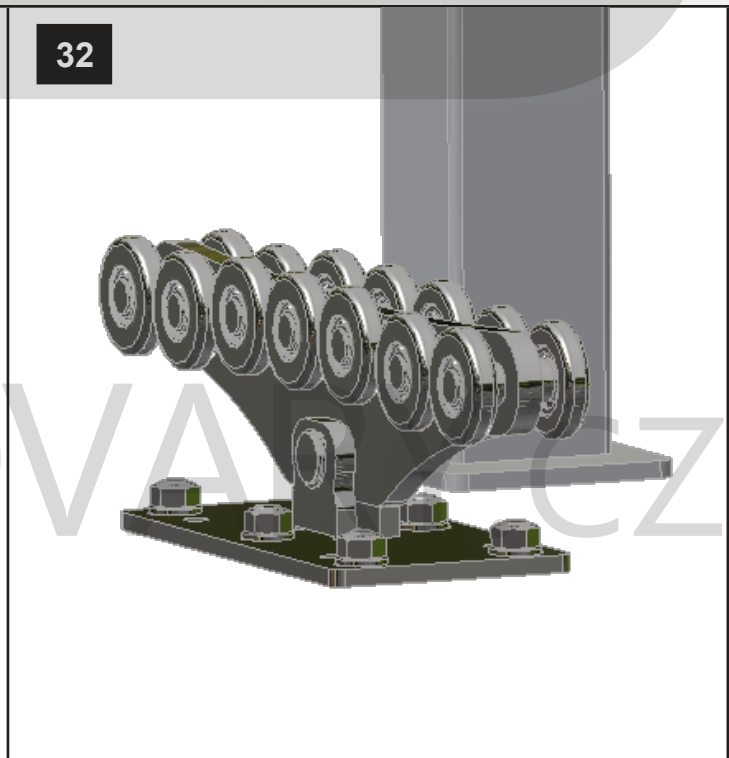
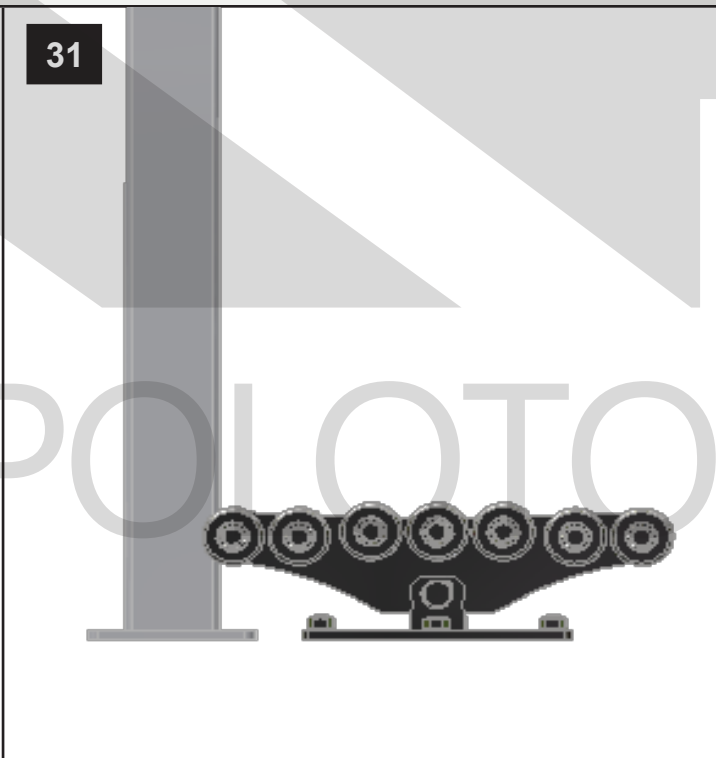
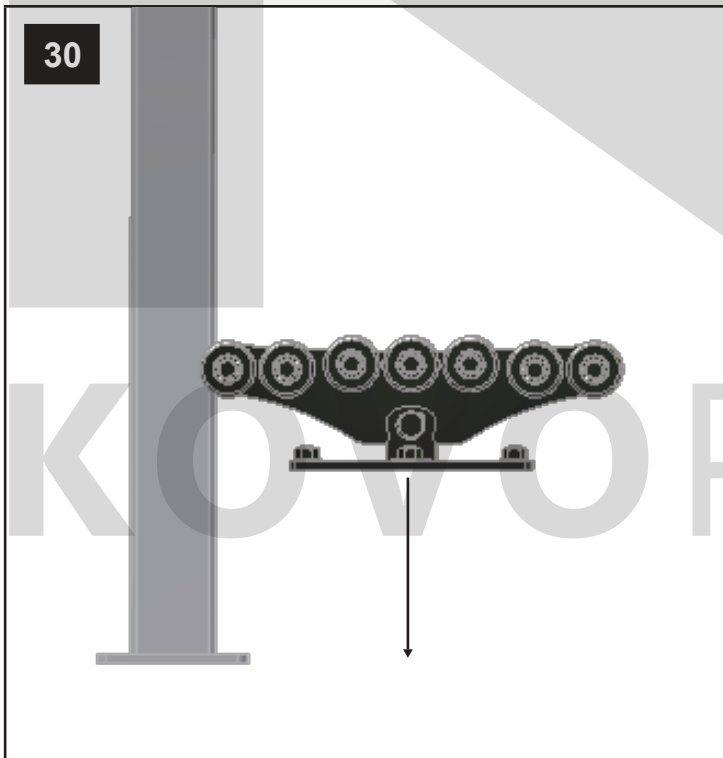
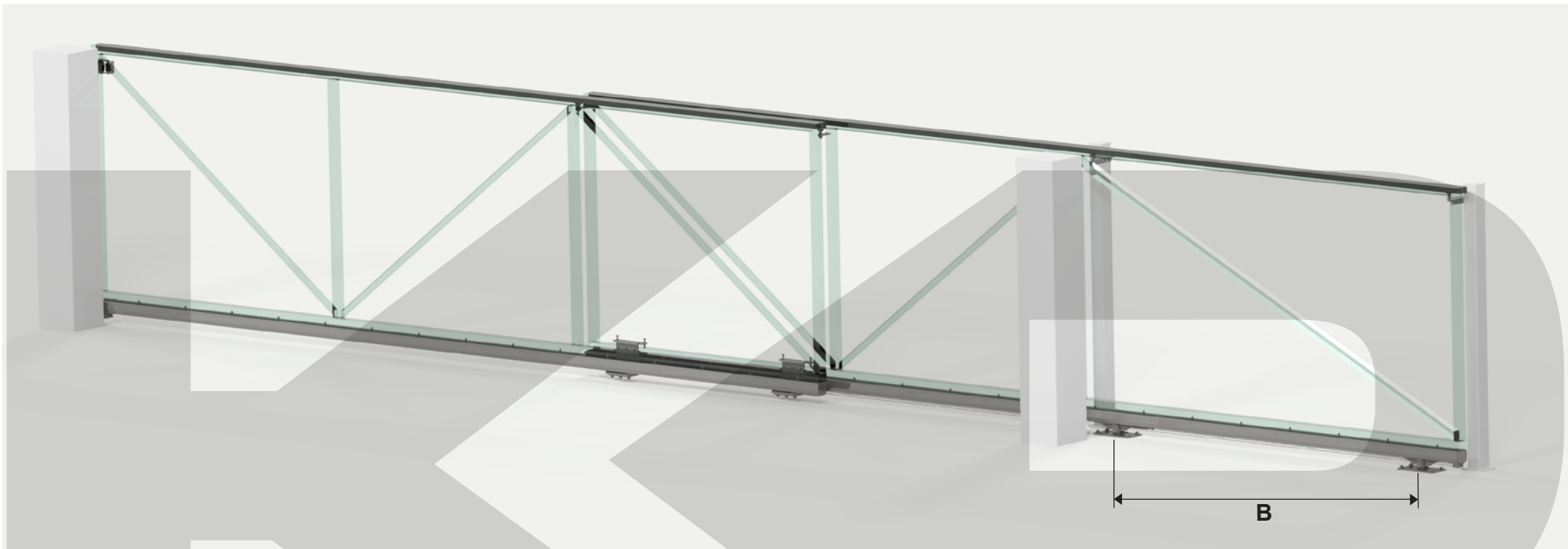
KOVO POLOTOVARY.CZ



KOVOPLOTOVARY.CZ



KOVO POLOTOVARY.CZ

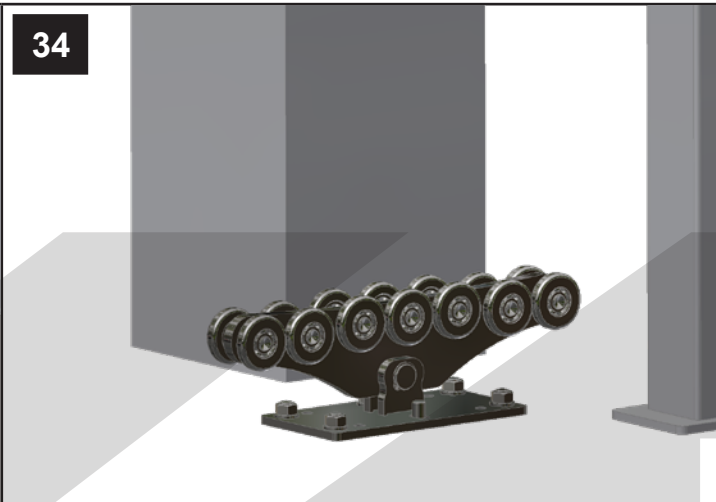




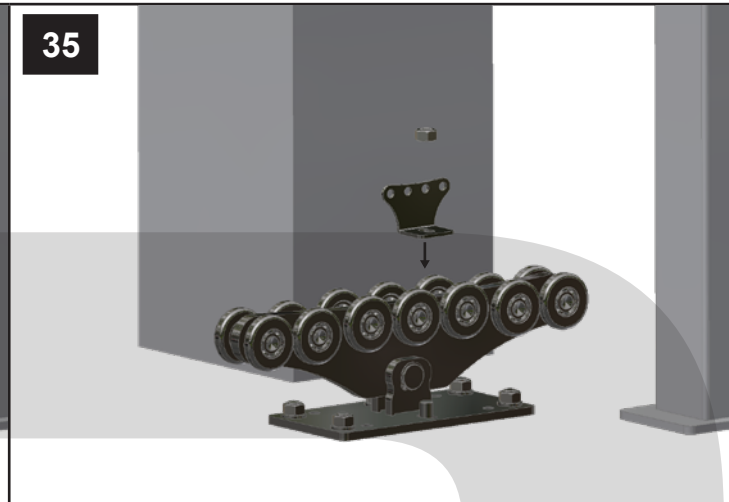
33



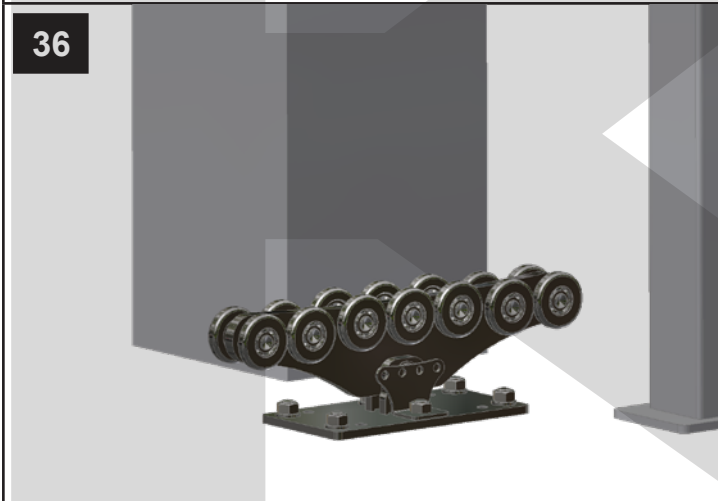
34



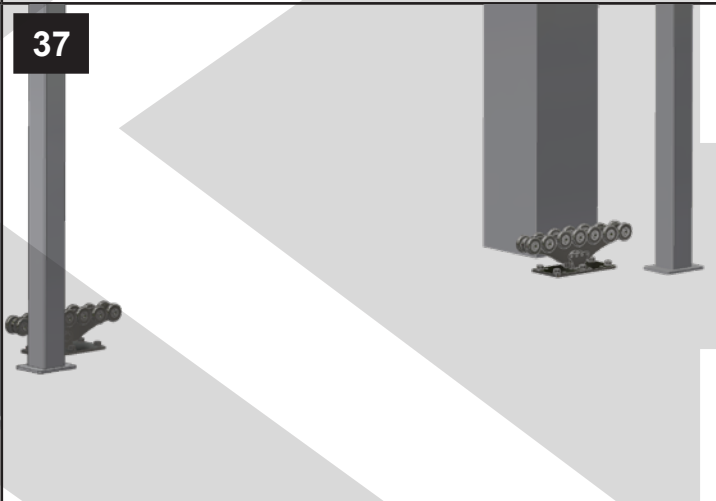
35



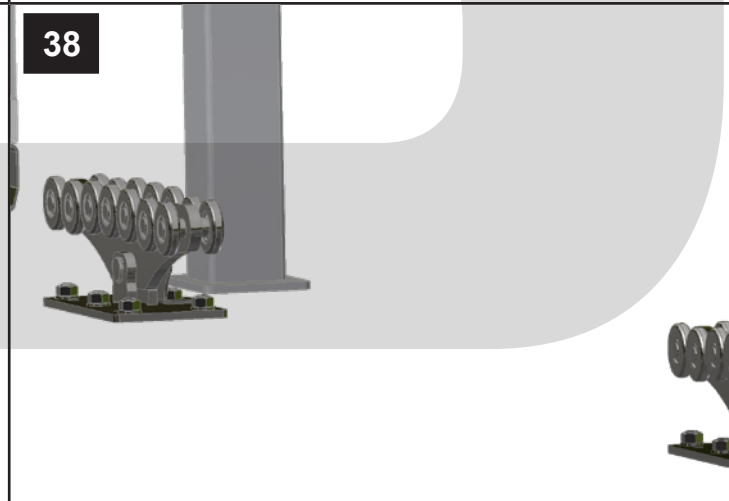
36



37



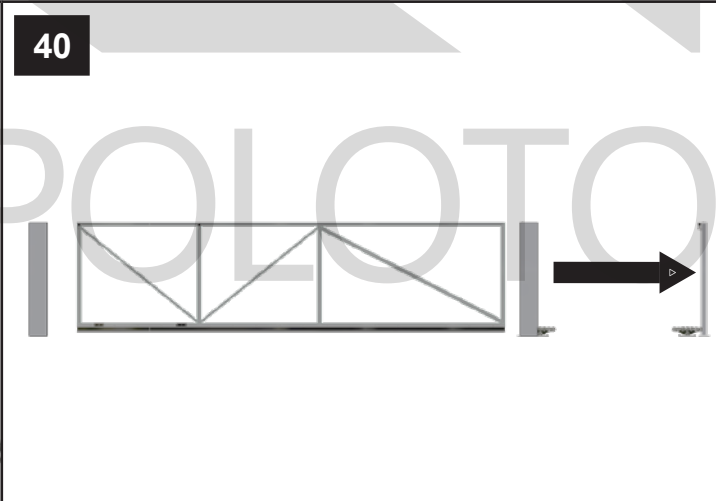
38



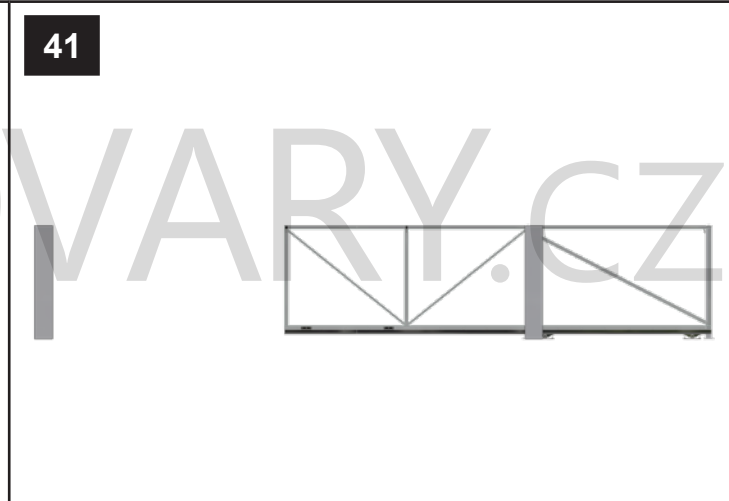
39



40

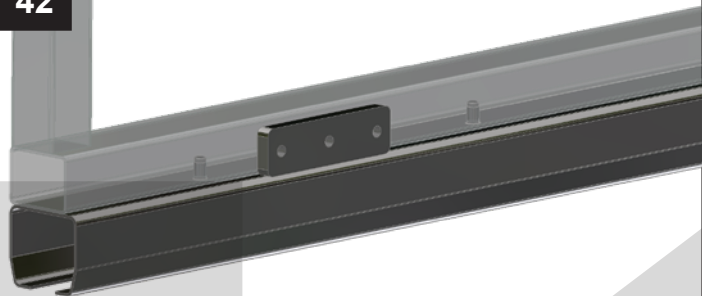


41

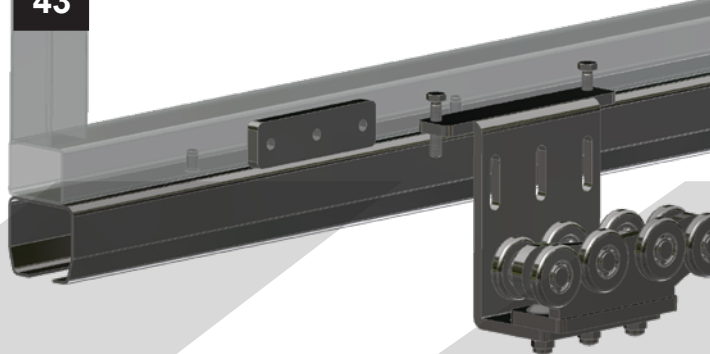


KOVNO POLOTOVARY.CZ

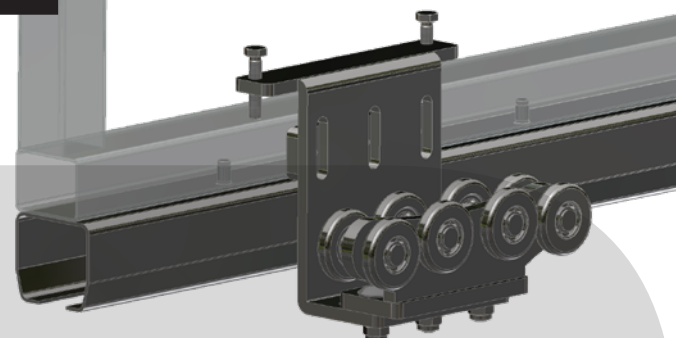
42



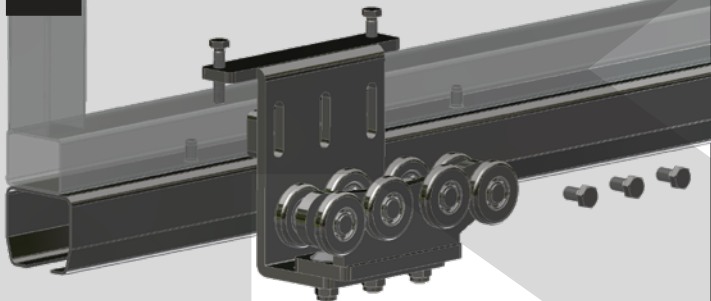
43



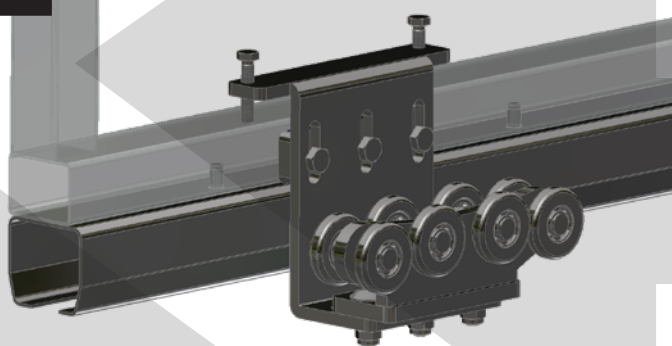
44



45



46



47

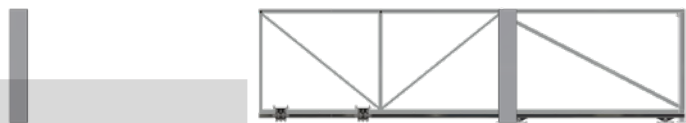


48

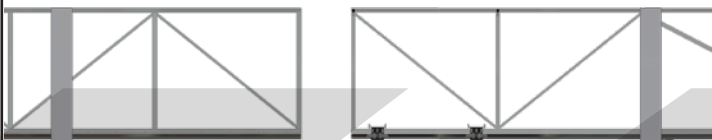


KOVOPOLOTOVARY.CZ

49



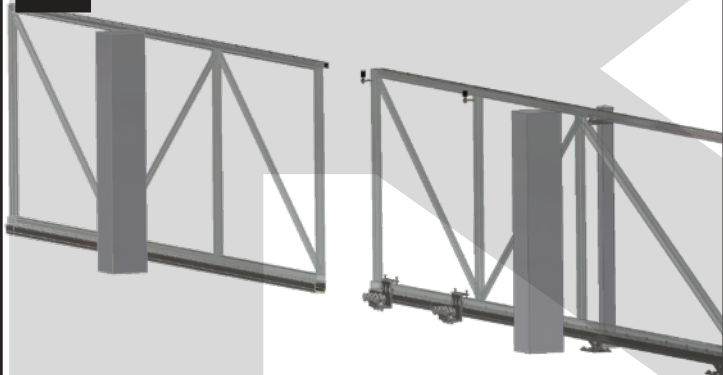
50



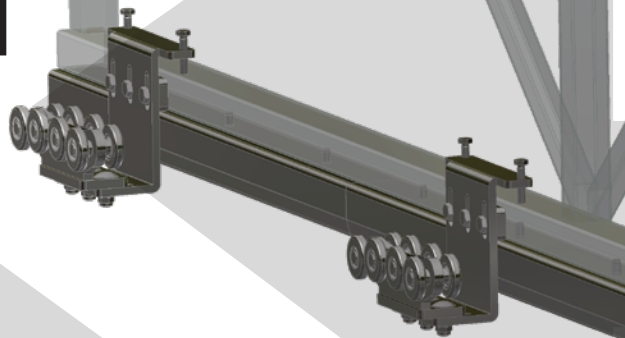
51



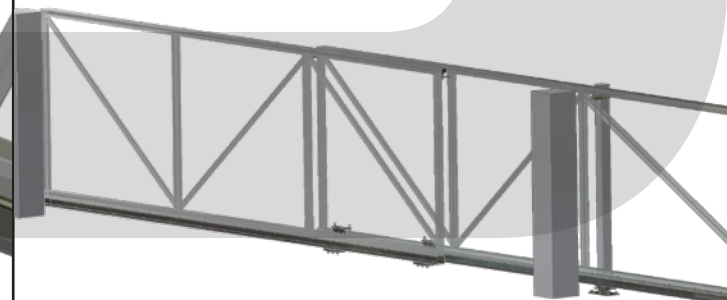
52



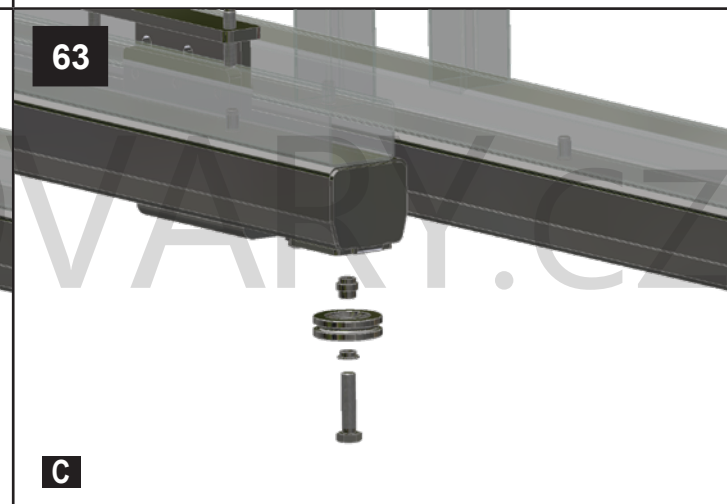
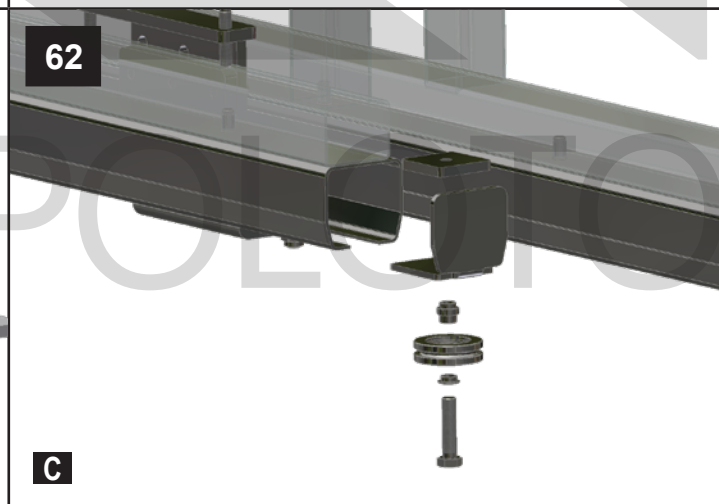
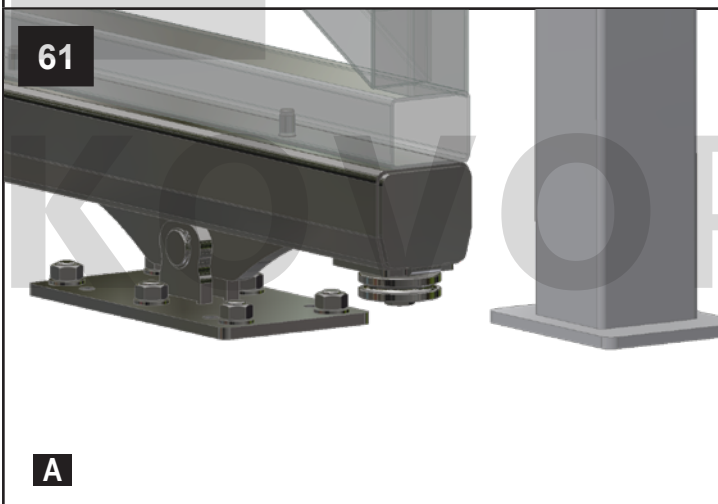
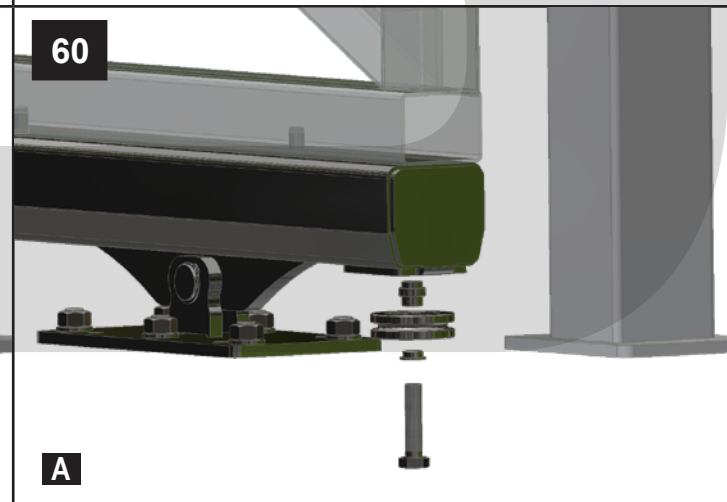
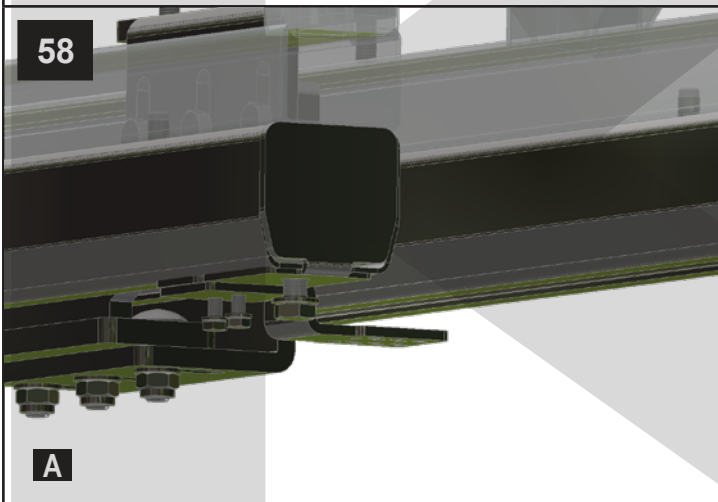
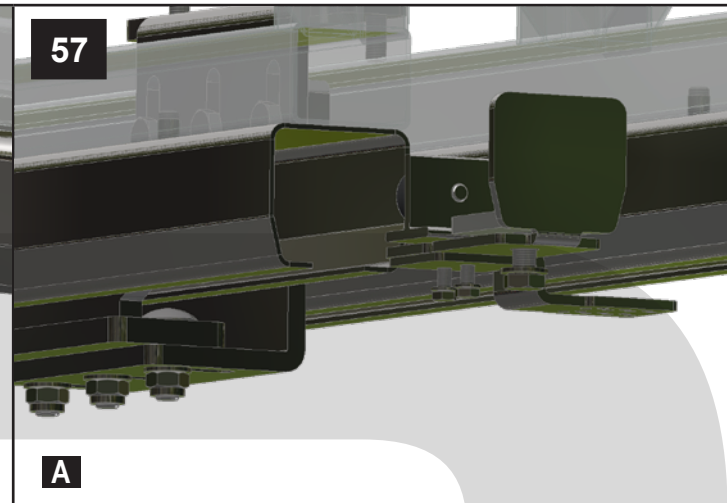
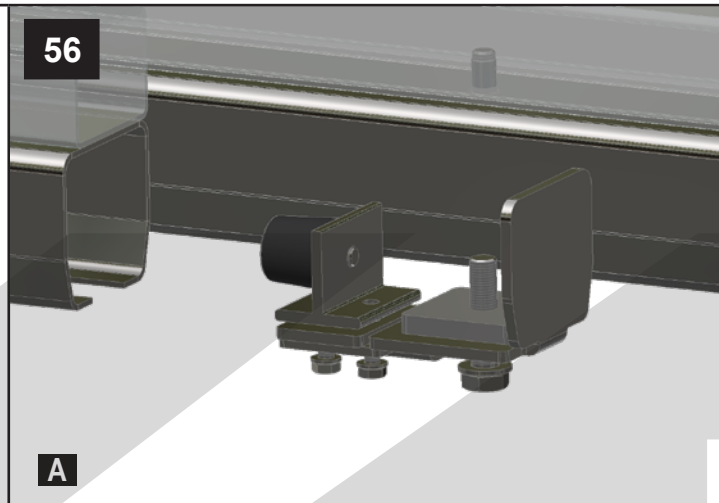
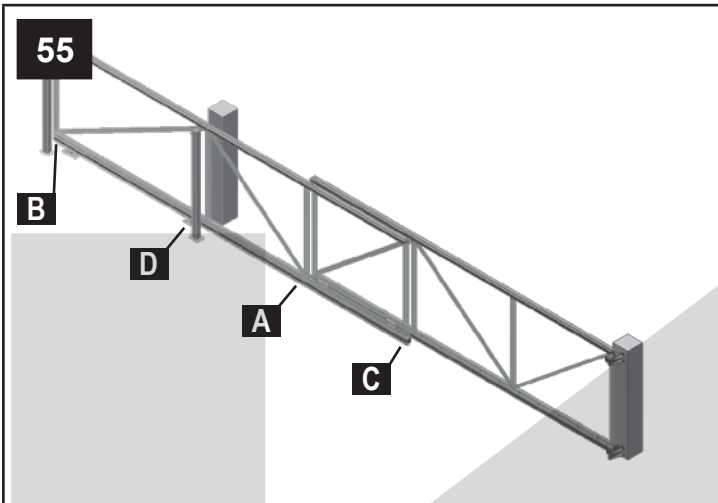
53

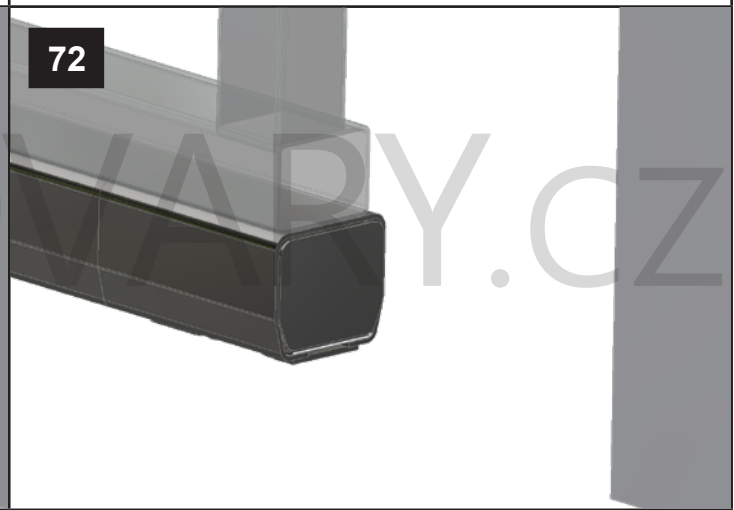
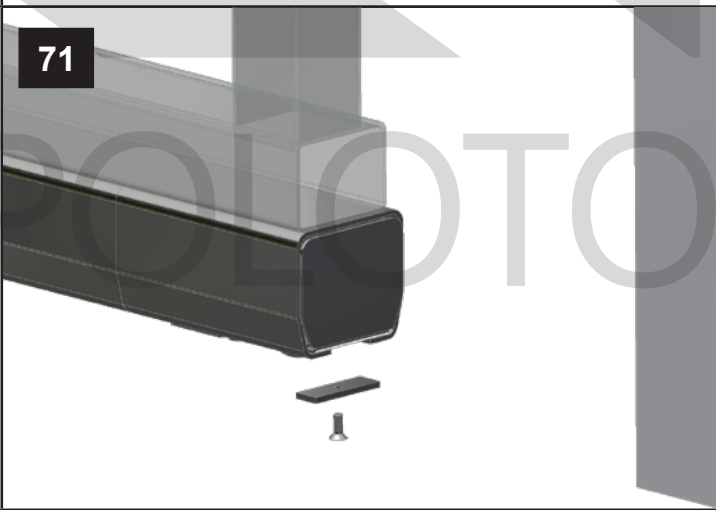
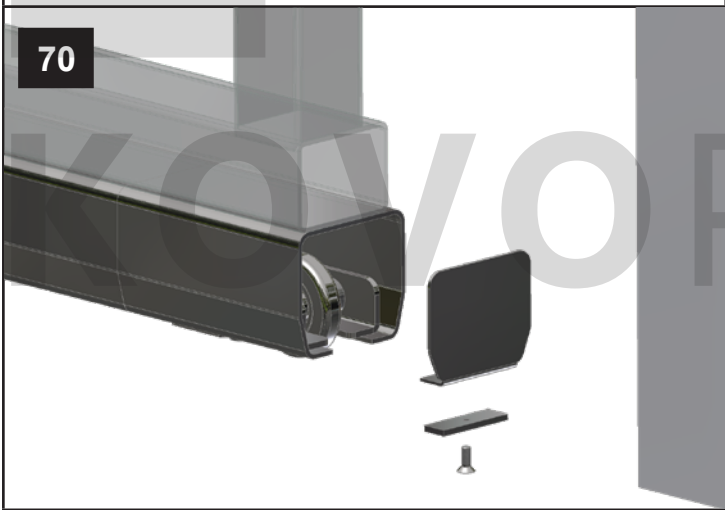
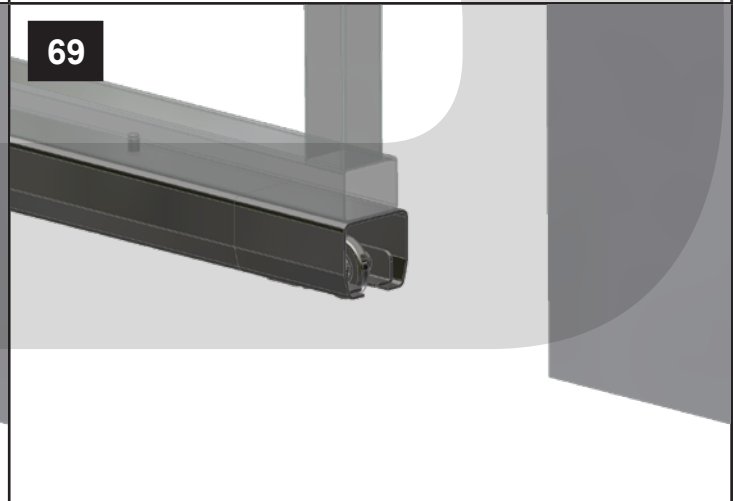
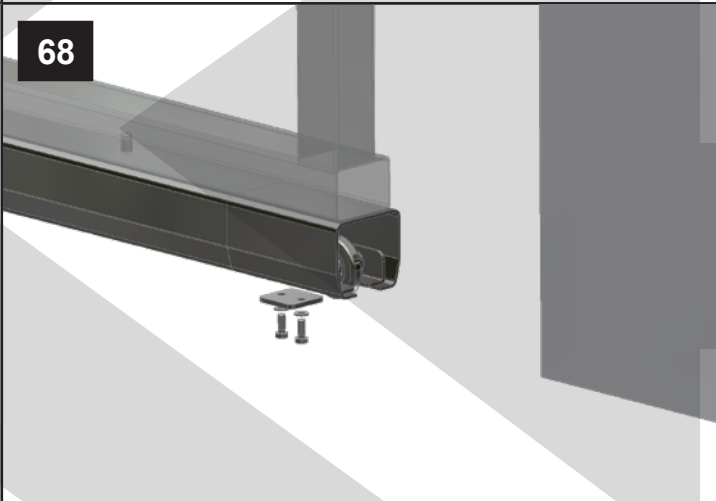
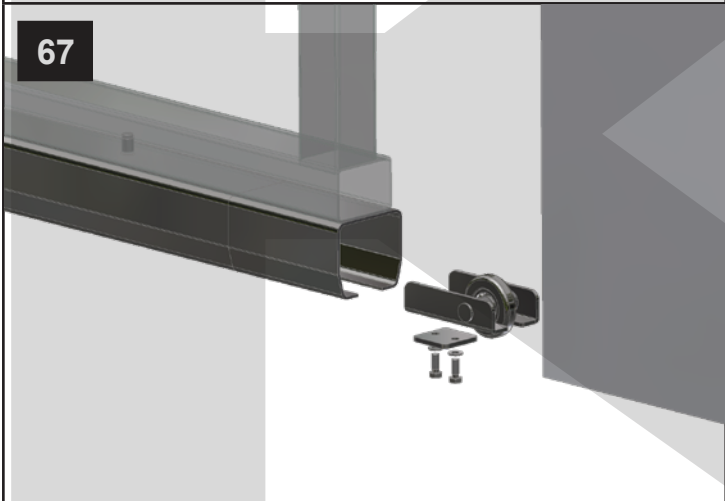
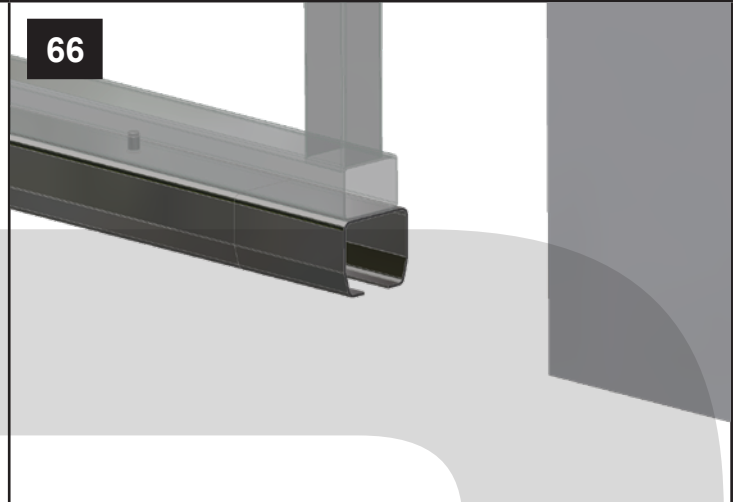
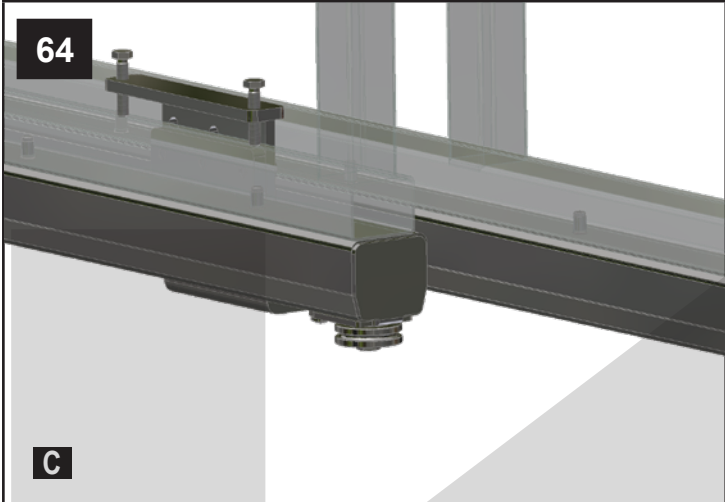


54

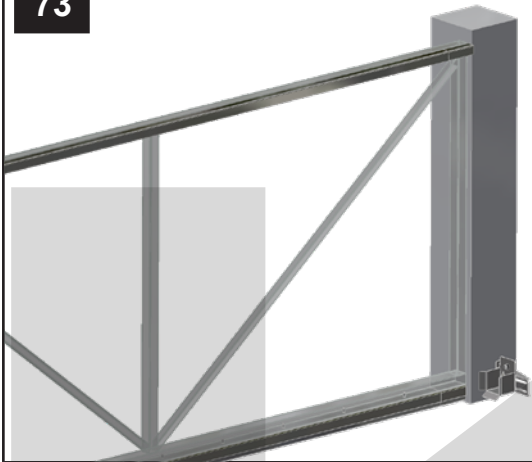


KOVO POLOTOVARY.CZ





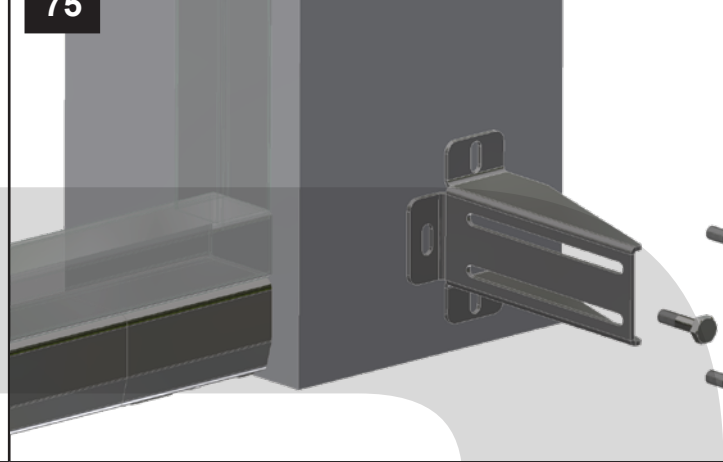
73



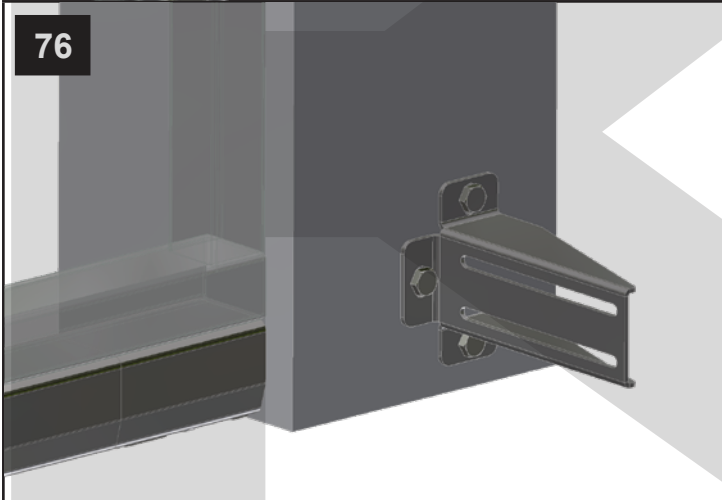
74



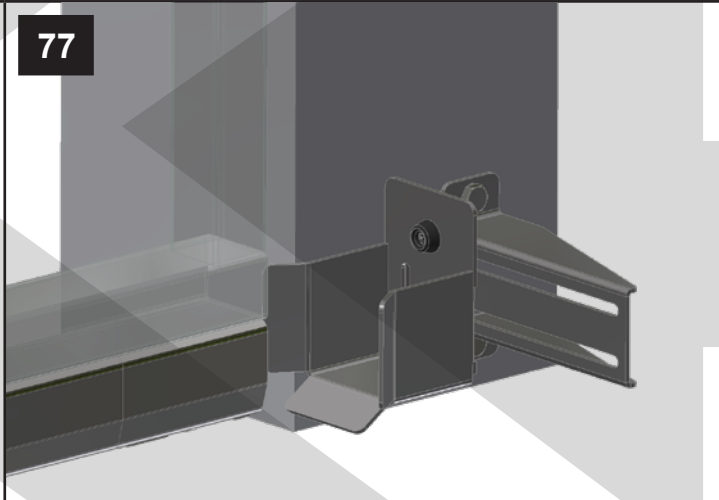
75



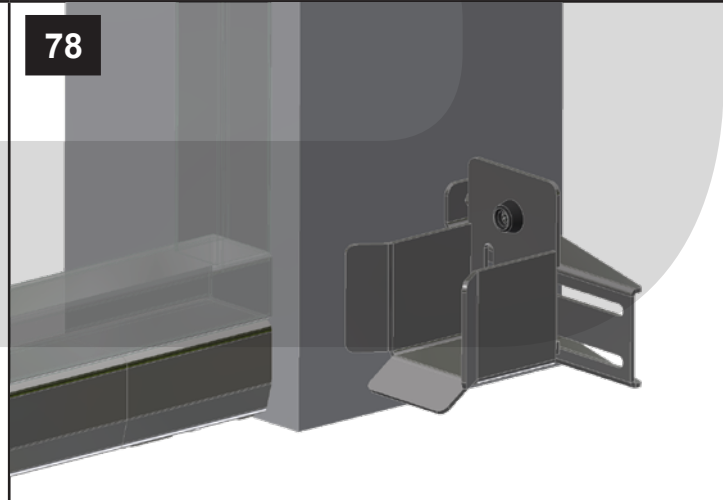
76



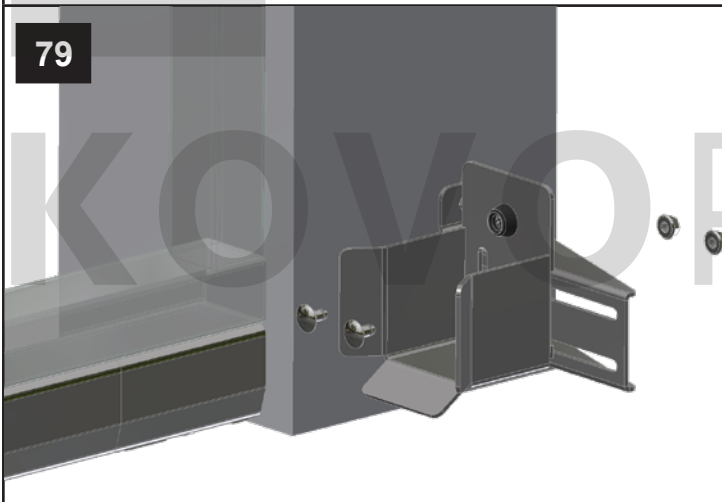
77



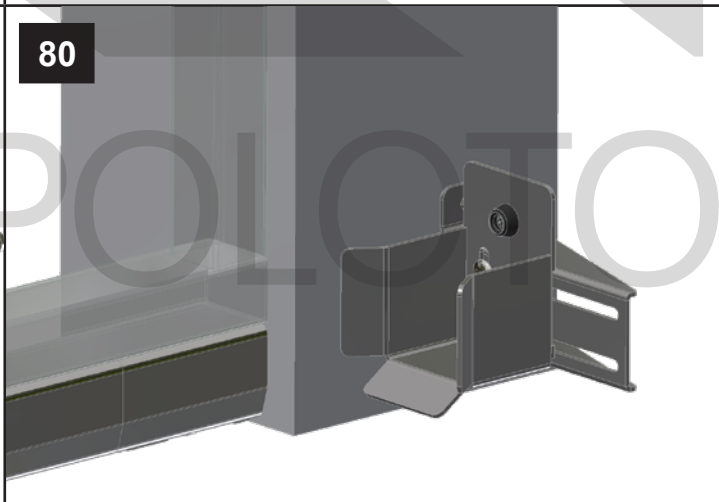
78



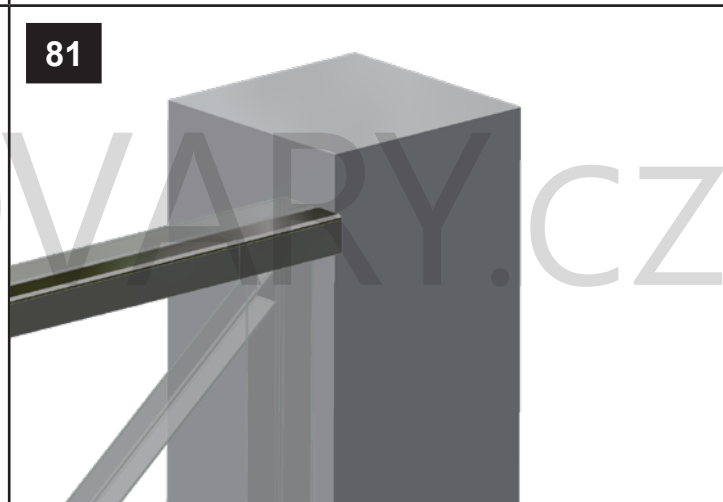
79



80

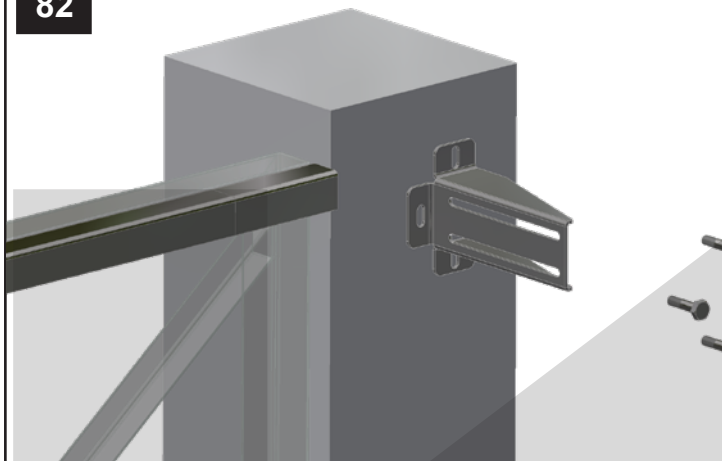


81

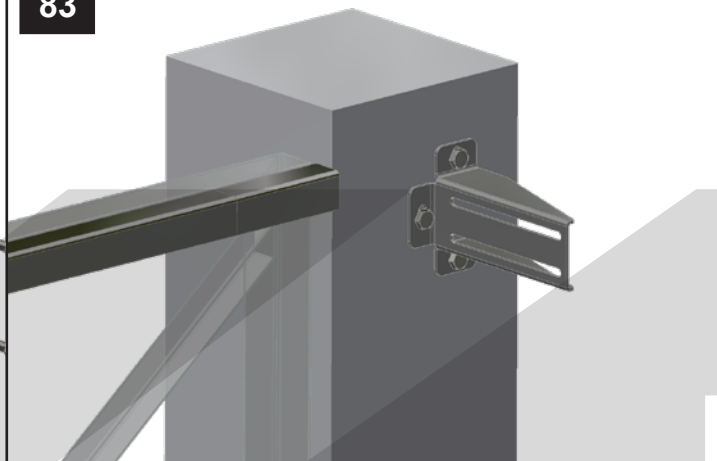


KOVOPLOTOVARY.CZ

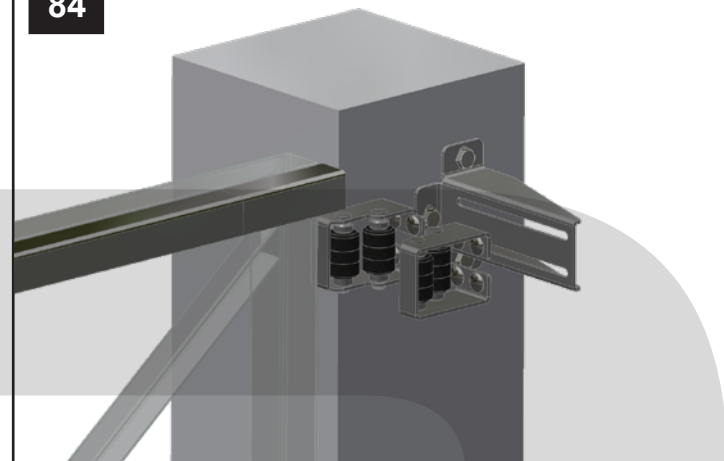
82



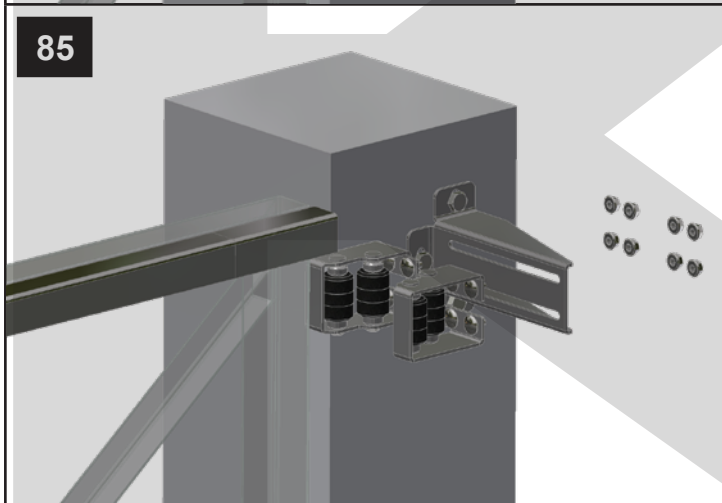
83



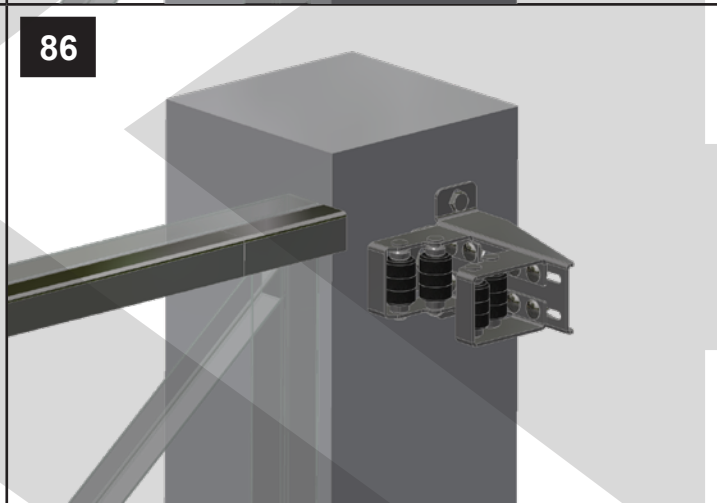
84



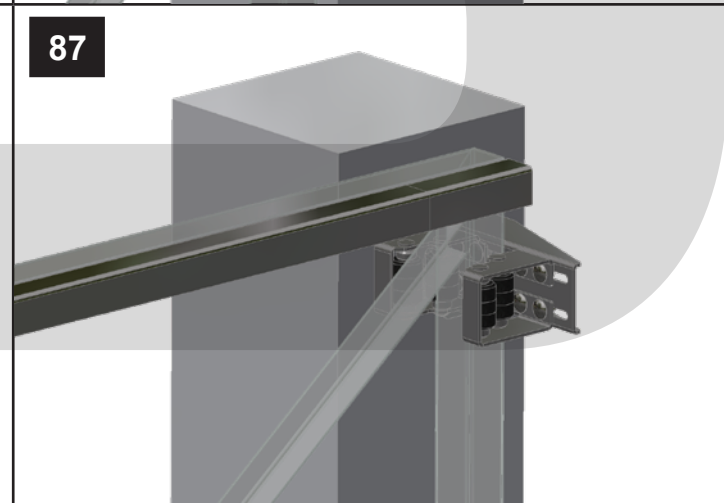
85



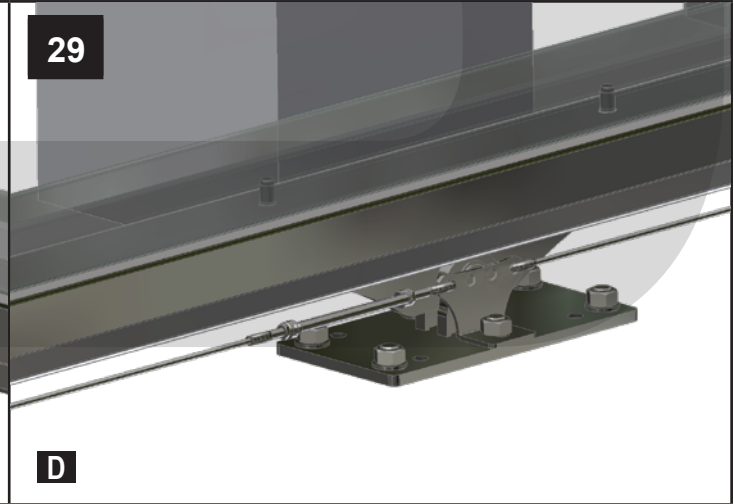
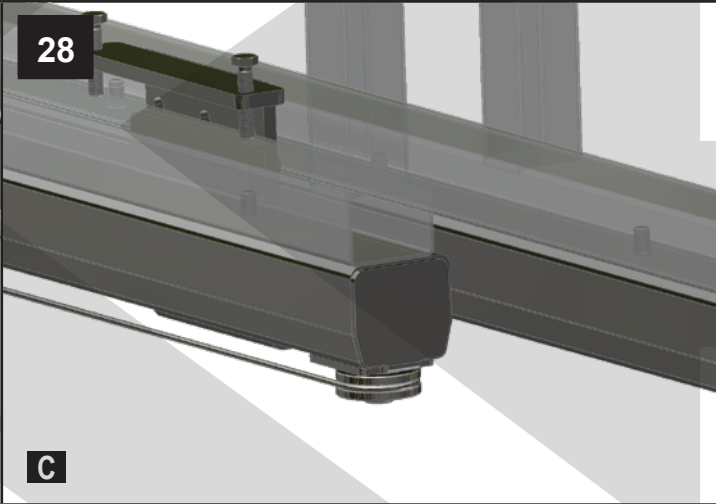
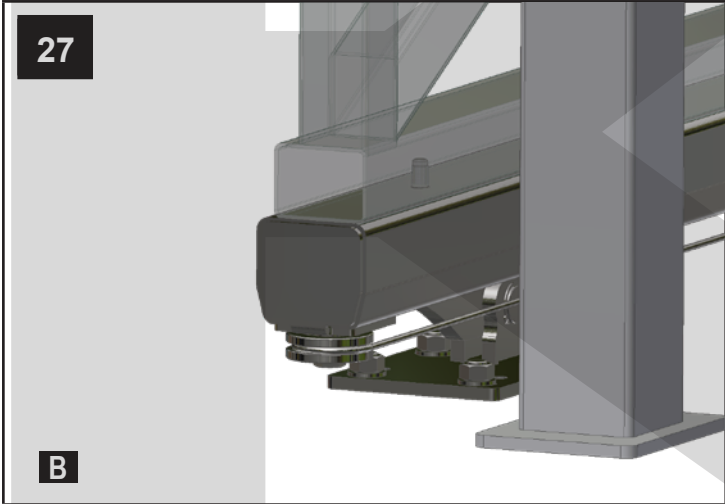
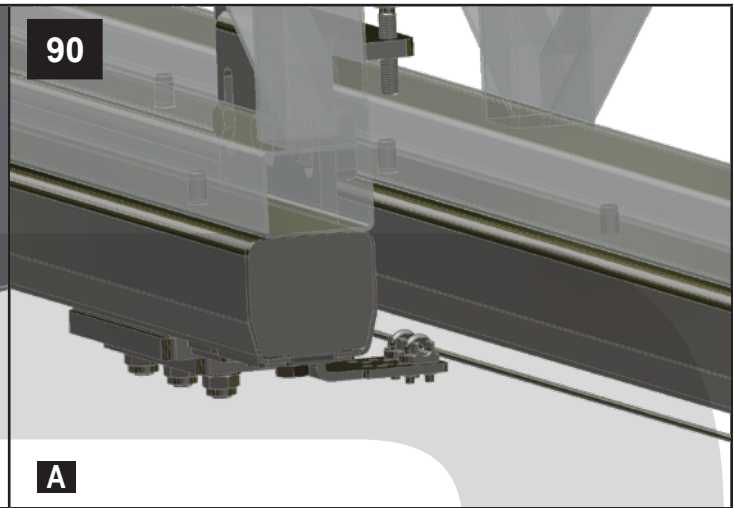
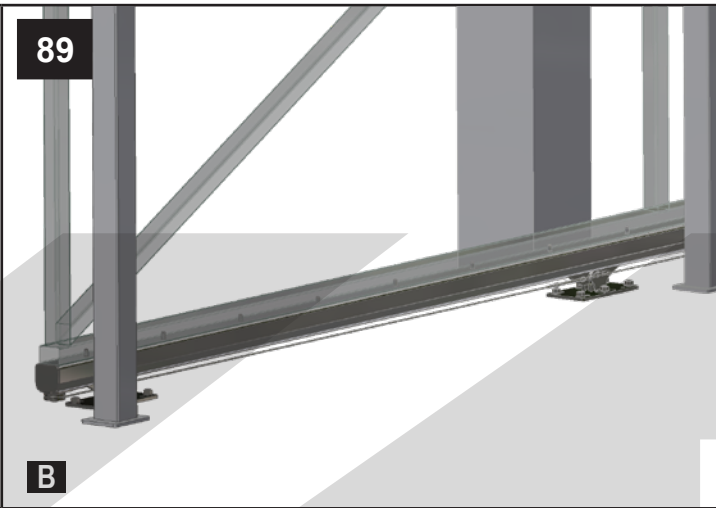
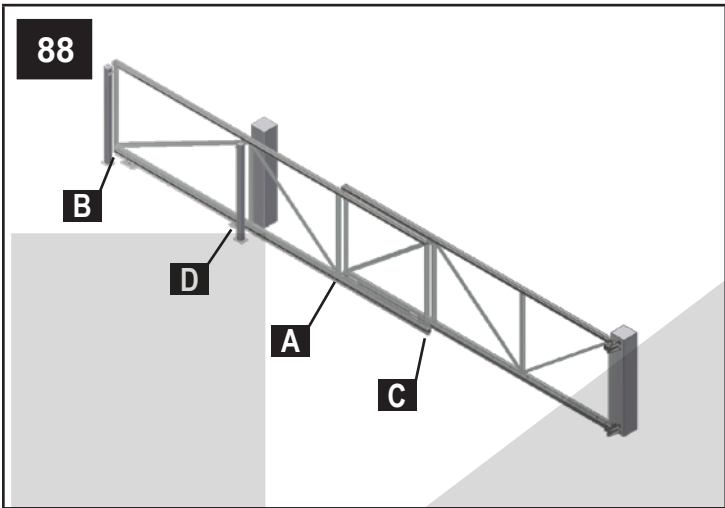
86



87

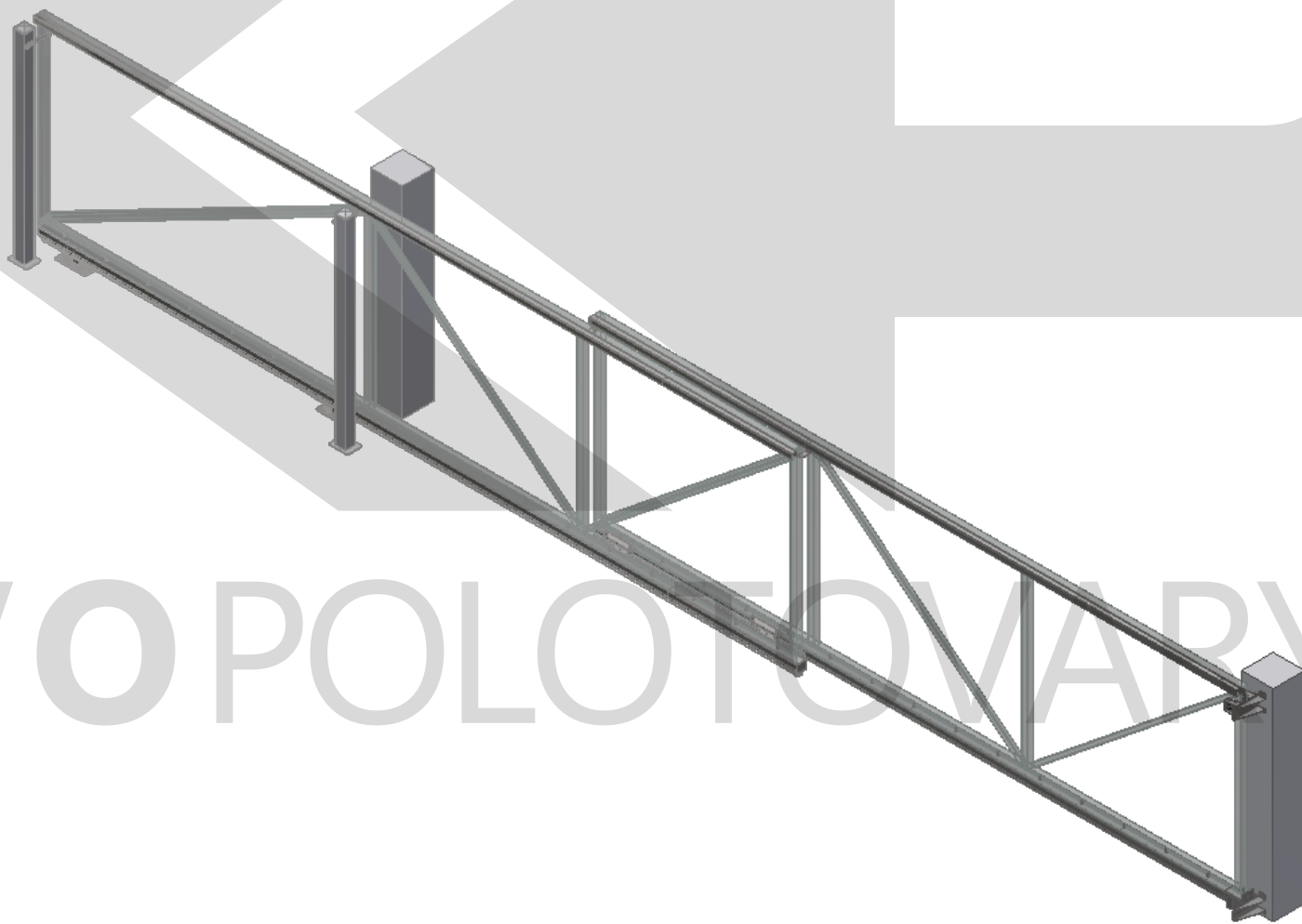
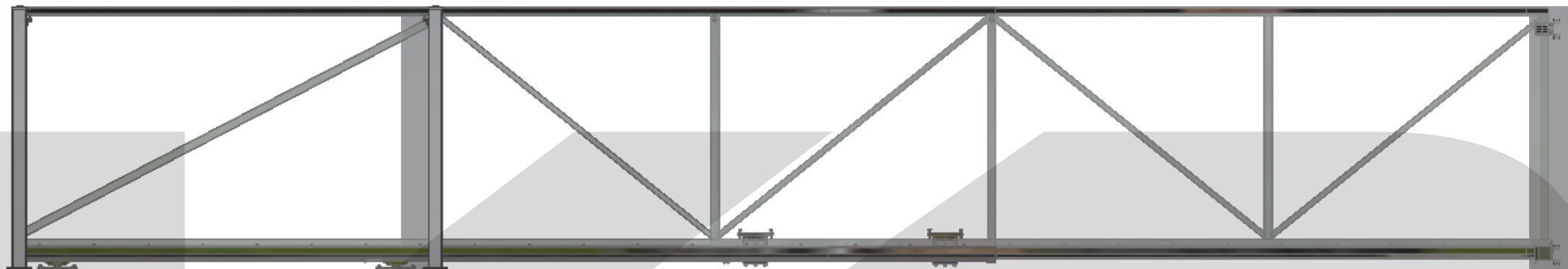


KOVOPOLOTOVARY.CZ

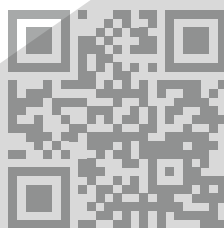


KOVO POLOTOVARY.CZ





KOVOPOLOTOVARY.CZ



[www.cais.eu](http://www.cais.eu)

KOVO POLOTOVARY.CZ